

# TEAC

# AX-505

## Integrated Amplifier

ENGLISH

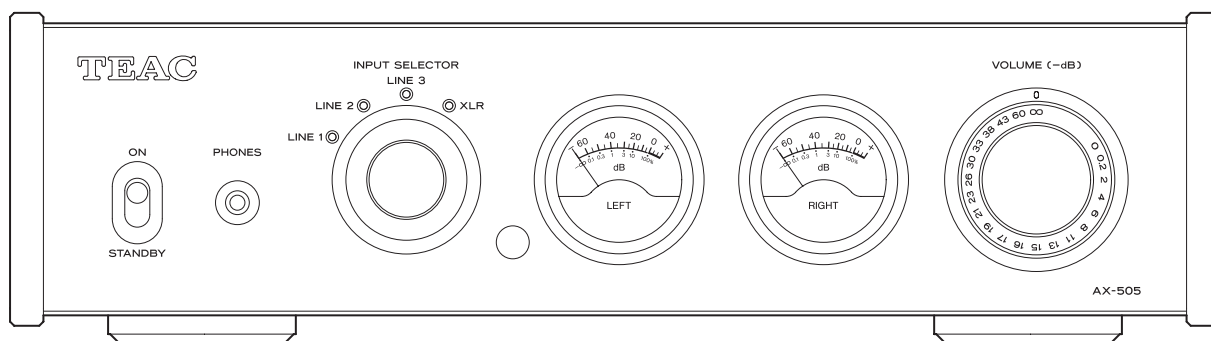
FRANÇAIS

ESPAÑOL

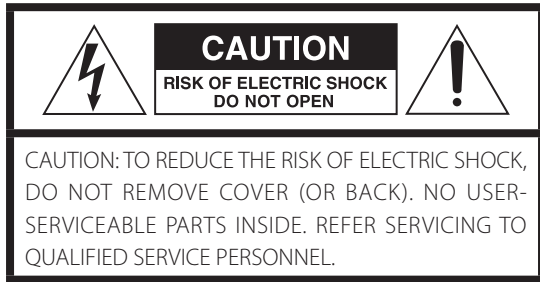
OWNER'S MANUAL

MODE D'EMPLOI

MANUAL DEL USUARIO



# IMPORTANT SAFETY INSTRUCTIONS



The lightning flash with arrowhead symbol, within an equilateral triangle, is intended to alert the user to the presence of uninsulated "dangerous voltage" within the product's enclosure that may be of sufficient magnitude to constitute a risk of electric shock to persons.



The exclamation point within an equilateral triangle is intended to alert the user to the presence of important operating and maintenance (servicing) instructions in the literature accompanying the appliance.

**WARNING: TO PREVENT FIRE OR SHOCK HAZARD, DO NOT EXPOSE THIS APPLIANCE TO RAIN OR MOISTURE.**

## CAUTION

- DO NOT REMOVE THE EXTERNAL CASES OR CABINETS TO EXPOSE THE ELECTRONICS. NO USER SERVICEABLE PARTS ARE INSIDE.
- IF YOU ARE EXPERIENCING PROBLEMS WITH THIS PRODUCT, CONTACT THE STORE WHERE YOU PURCHASED THE UNIT FOR A SERVICE REFERRAL. DO NOT USE THE PRODUCT UNTIL IT HAS BEEN REPAIRED.
- USE OF CONTROLS OR ADJUSTMENTS OR PERFORMANCE OF PROCEDURES OTHER THAN THOSE SPECIFIED HEREIN MAY RESULT IN HAZARDOUS RADIATION EXPOSURE.

- 1) Read these instructions.
  - 2) Keep these instructions.
  - 3) Heed all warnings.
  - 4) Follow all instructions.
  - 5) Do not use this apparatus near water.
  - 6) Clean only with dry cloth.
  - 7) Do not block any ventilation openings. Install in accordance with the manufacturer's instructions.
  - 8) Do not install near any heat sources such as radiators, heat registers, stoves, or other apparatus (including amplifiers) that produce heat.
  - 9) Do not defeat the safety purpose of the polarized or grounding-type plug. A polarized plug has two blades with one wider than the other. A grounding type plug has two blades and a third grounding prong. The wide blade or the third prong are provided for your safety. If the provided plug does not fit into your outlet, consult an electrician for replacement of the obsolete outlet.
  - 10) Protect the power cord from being walked on or pinched particularly at plugs, convenience receptacles, and the point where they exit from the apparatus.
  - 11) Only use attachments/accessories specified by the manufacturer.
  - 12) Use only with the cart, stand, tripod, bracket, or table specified by the manufacturer, or sold with the apparatus. When a cart is used, use caution when moving the cart/apparatus combination to avoid injury from tip-over.
  - 13) Unplug this apparatus during lightning storms or when unused for long periods of time.
  - 14) Refer all servicing to qualified service personnel. Servicing is required when the apparatus has been damaged in any way, such as power-supply cord or plug is damaged, liquid has been spilled or objects have fallen into the apparatus, the apparatus has been exposed to rain or moisture, does not operate normally, or has been dropped.
- The apparatus draws nominal non-operating power from the AC outlet with its POWER or STANDBY/ON switch not in the ON position.
  - The mains plug is used as the disconnect device; the disconnect device shall remain readily operable.
  - Caution should be taken when using earphones or headphones with the product because excessive sound pressure (volume) from earphones or headphones can cause hearing loss.



## CAUTION

- Do not expose this apparatus to drips or splashes.
- Do not place any objects filled with liquids, such as vases, on the apparatus.
- Do not install this apparatus in a confined space such as a book case or similar unit.
- The apparatus should be located close enough to the AC outlet so that you can easily reach the power cord plug at any time.
- If the product uses batteries (including a battery pack or installed batteries), they should not be exposed to sunshine, fire or excessive heat.
- CAUTION for products that use replaceable lithium batteries: there is danger of explosion if a battery is replaced with an incorrect type of battery. Replace only with the same or equivalent type.

## WARNING

Products with Class I construction are equipped with a power supply cord that has a grounding plug. The cord of such a product must be plugged into an AC outlet that has a protective grounding connection.

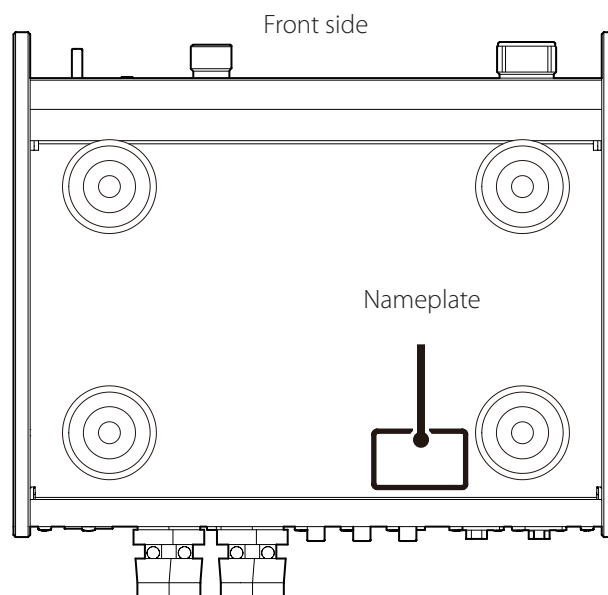
**IN USA/CANADA, USE ONLY ON 120V SUPPLY.**

### **⚠ Precautions concerning batteries**

Misuse of batteries could cause them to rupture or leak leading to fire, injury or the staining of nearby things. Please read and observe the following precautions carefully.

- Be sure to insert the batteries with correct positive ( $\oplus$ ) and negative ( $\ominus$ ) orientations.
- Use batteries of the same type. Never use different types of batteries together.
- If the remote control is not used for a long time (more than a month), remove the batteries to prevent them from leaking.
- If the batteries leak, wipe away the leakage inside the battery compartment and replace the batteries with new ones.
- Do not use batteries of types other than those specified. Do not mix new batteries with old ones or use different types of batteries together.
- Do not heat or disassemble batteries. Never throw batteries into fire or water.
- Do not carry or store batteries with other metallic objects. The batteries could short circuit, leak or explode.
- Never recharge a battery unless it is confirmed to be a rechargeable type.

The nameplate is located on the bottom of the unit as shown below.



# IMPORTANT SAFETY INSTRUCTIONS (continued)

## Model for USA

### Declaration of Conformity

Responsible party:  
Pioneer & Onkyo U.S.A. Corporation  
Address: 22828 Lockness Avenue, Torrance, CA 90501 U.S.A.  
Telephone number: 1-201-785-2600



This device complies with Part.15 of FCC Rules. Operation is subject to the following two conditions: (1) this device may not cause harmful interference, and (2) this device must accept any interference received, including interference that may cause undesired operation.

### Information

This equipment has been tested and found to comply with the limits for a Class B digital device, pursuant to Part 15 of the FCC Rules. These limits are designed to provide reasonable protection against harmful interference in a residential installation. This equipment generates, uses, and can radiate radio frequency energy and, if not installed and used in accordance with the instructions, may cause harmful interference to radio communications. However, there is no guarantee that interference will not occur in a particular installation. If this equipment does cause harmful interference to radio or television reception, which can be determined by turning the equipment off and on, the user is encouraged to try to correct the interference by one or more of the following measures:

- Reorient or relocate the equipment and/or the receiving antenna.
- Increase the separation between the equipment and receiver.
- Connect the equipment into an outlet on a circuit different from that to which the receiver is connected.
- Consult the dealer or an experienced radio/TV technician for help.

### CAUTION

Changes or modifications not expressly approved by the party responsible for compliance could void the user's authority to operate the equipment.

## Model for Canada

Industry Canada's Compliance Statement:  
This Class B digital apparatus complies with Canadian ICES-003.

## Model for Europe



This product complies with the European Directives request, and the other Commission Regulations.

## For European Customers

### Disposal of electrical and electronic equipment and batteries and/or accumulators

- All electrical/electronic equipment and waste batteries/accumulators should be disposed of separately from the municipal waste stream via collection facilities designated by the government or local authorities.
- By disposing of electrical/electronic equipment and waste batteries/accumulators correctly, you will help save valuable resources and prevent any potential negative effects on human health and the environment.
- Improper disposal of waste electrical/electronic equipment and batteries/accumulators can have serious effects on the environment and human health because of the presence of hazardous substances in the equipment.
- The Waste Electrical and Electronic Equipment (WEEE) symbols, which show wheeled bins that have been crossed out, indicate that electrical/electronic equipment and batteries/accumulators must be collected and disposed of separately from household waste. If a battery or accumulator contains more than the specified values of lead (Pb), mercury (Hg), and/or cadmium (Cd) as defined in the Battery Directive (2006/66/EC), then the chemical symbols for those elements will be indicated beneath the WEEE symbol.
- Return and collection systems are available to end users. For more detailed information about the disposal of old electrical/electronic equipment and waste batteries/accumulators, please contact your city office, waste disposal service or the shop where you purchased the equipment.



## Contents

---

Thank you for choosing TEAC.  
Read this manual carefully to get the best performance from this unit.  
After reading it, keep it in a safe place for future reference.

IMPORTANT SAFETY INSTRUCTIONS .....	2
Included accessories.....	5
Maintenance .....	5
Using the TEAC Global Site.....	5
Before use .....	6
Using the remote control.....	6
Connecting speakers .....	7
Connections.....	8
Connecting headphones .....	9
Main unit parts and functions.....	10
Remote control parts and functions.....	11
Basic operation.....	12
Troubleshooting.....	14
Specifications.....	15

## Included accessories

---

Check to be sure the box contains all the included items shown below.

Please contact the store where you purchased this unit if any of these items are missing or have been damaged during transportation.

**Power cord × 1**

**Remote control (RC-1332) × 1**

**Batteries for remote control (AAA) × 2**

**Owner's manual (this document, including warranty) × 1**

- For information about the warranty, users living in the USA and Canada should see pages 44–45 and the back cover (warranty document). Users living in Europe and other regions should see page 45.

## Maintenance

---

Wipe dirt from the top cover and other panel surfaces using a soft cloth that has been slightly dampened with a diluted neutral cleanser.

Do not wipe with chemical cleaning cloths, thinner or other chemical agents. Doing so could damage the surface.

 **For your safety, disconnect the power cord from the outlet before cleaning.**

## Using the TEAC Global Site

---

You can download updates for this unit from the TEAC Global Site:

**<http://teac-global.com/>**

In the TEAC Downloads section, click the desired language to open the Downloads website page for that language.

## Before use

### ⚠ Placement precautions

- Place the unit in a stable location near the audio system that you will use with it.
- Do not install this unit in a location that could become hot. This includes places that are exposed to direct sunlight or near a radiator, heater, stove or other heating equipment. Moreover, do not place it on top of an amplifier or other equipment that generates heat. Doing so could cause discoloration, deformation or malfunction.  
Also avoid locations that are subject to vibrations or exposed to excessive dust, cold or moisture.
- When installing this unit, leave a little space (at least 3 cm or 1") between it and walls and other devices in order to allow good heat dissipation.  
If you put it in a rack, for example, leave at least 5 cm (2") open above it and at least 10 cm (4") open behind it. Failure to provide these gaps could cause heat to build up inside and result in fire.
- You may stack this unit with a PD-501HR, NT-505 or other 501/503/505 series units. However, if heat should cause the protection circuit to be activated and sound output stops suddenly, place this unit on top and with sufficient distance between it and walls and other devices in order to improve heat dissipation.
- Do not place CDs, CD-Rs, cassette tapes, other audio equipment or other items that are susceptible to heat on top of the unit. Doing so could damage these items.
- Do not put cloth on top of the unit or place the unit on top of bedding or thick carpets. Doing so could cause the unit to over-heat and damage it.
- Do not move the unit during use.
- The voltage supplied to the unit should match the voltage printed on the rear panel. If you are in any doubt regarding this matter, consult an electrician.
- Do not open the body of the unit as this might result in damage to the circuitry or cause electric shock. If a foreign object should get into the unit, contact your dealer.
- When removing the power plug from the wall outlet, always pull directly on the plug; never yank on the cord.

## Using the remote control

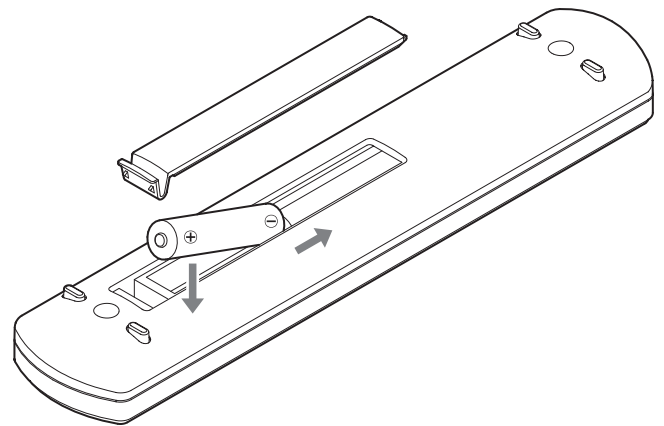
### Precautions for use

⚠ **Misuse of batteries could cause them to rupture or leak, which might result in fire, injury or the staining of nearby materials. Please carefully read and observe the precautions on page 3.**

- When using the remote control, point it toward the remote control signal receiver on the main unit from a distance of 5 m (16 ft) or less. Do not place obstructions between the main unit and the remote control.
- The remote control might not work if the remote control signal receiver on the unit is exposed to direct sunlight or bright light. If this occurs, try moving the unit.
- Beware that use of this remote control could cause the unintentional operation of other devices that can be controlled by infrared rays.

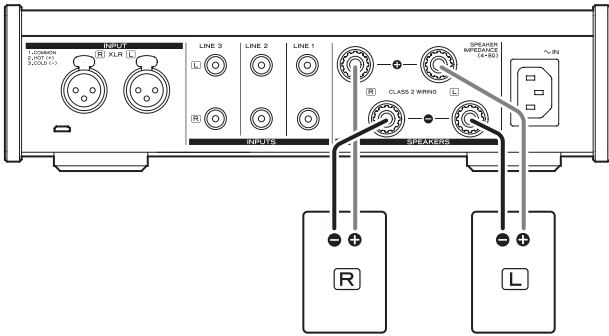
### Installing batteries

Remove the cover from the back of the remote control and insert two AAA batteries with their ⊕/⊖ oriented as shown in the case. Replace the cover.



### When to replace batteries

If the distance required between the remote and the main unit decreases or if the unit stops responding to the remote buttons, replace both batteries with new ones. Dispose of the used batteries according to the instructions on them or requirements set by your local municipality.



## ⚠ Precautions when connecting speakers

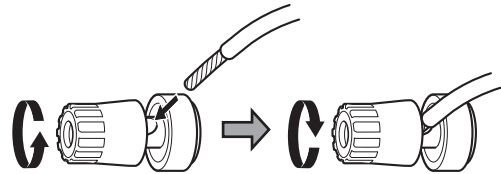
- Connect the power plugs after all connections have been made.
- Carefully read the manuals of the devices that you are connecting and follow their instructions when making connections.
- When the left and right grounds are shared in a sub woofer with a built-in amplifier, for example, use might not be possible depending on connection conditions.

## ATTENTION

- This unit works with speakers that have nominal impedances between  $4\ \Omega$  and  $8\ \Omega$ . Use of speakers with impedances of less than  $4\ \Omega$ , in particular, could cause the protection circuit to activate and sound output to stop. In some cases, damage could even occur to this unit and the speakers.
- This unit's red terminal is positive ( $\oplus$ ) and its black terminal is negative ( $\ominus$ ). Generally, the  $\oplus$  wire of the speaker cable is marked to distinguish it from the  $\ominus$  wire of the cable. Connect the marked wire to the red  $\oplus$  terminal and the unmarked wire to the black  $\ominus$  terminal.
- If the exposed end of a core wire in a speaker cable contacts another cable or terminal, a short could occur.
- Never allow speaker cables to cause a short.
- To prevent hum and noise, avoid bundling the cables together with the AC power cord or other cables.

## How to connect speakers

- 1** Remove about one centimeter (1/2") of insulation from the end of the speaker cable and twist the core wires well.
- 2** Turn the terminal cap counterclockwise to loosen it.
- 3** Insert the wire into the hole in the terminal post and turn the terminal cap clockwise to securely connect it.



- Connect it so that none of the wire insulation is touching the terminal.

- 4** Confirm that the cable is fastened securely by gently pulling the cable.

## Connecting with banana plugs

You can also make connections using commercially-available banana plugs. First, connect the banana plugs to the speaker cables and then connect the plugs to the terminals.

- Keep the caps tightened when in use.
- Carefully read the instructions for the banana plugs that you are using.

## ATTENTION

### Notice about the European model

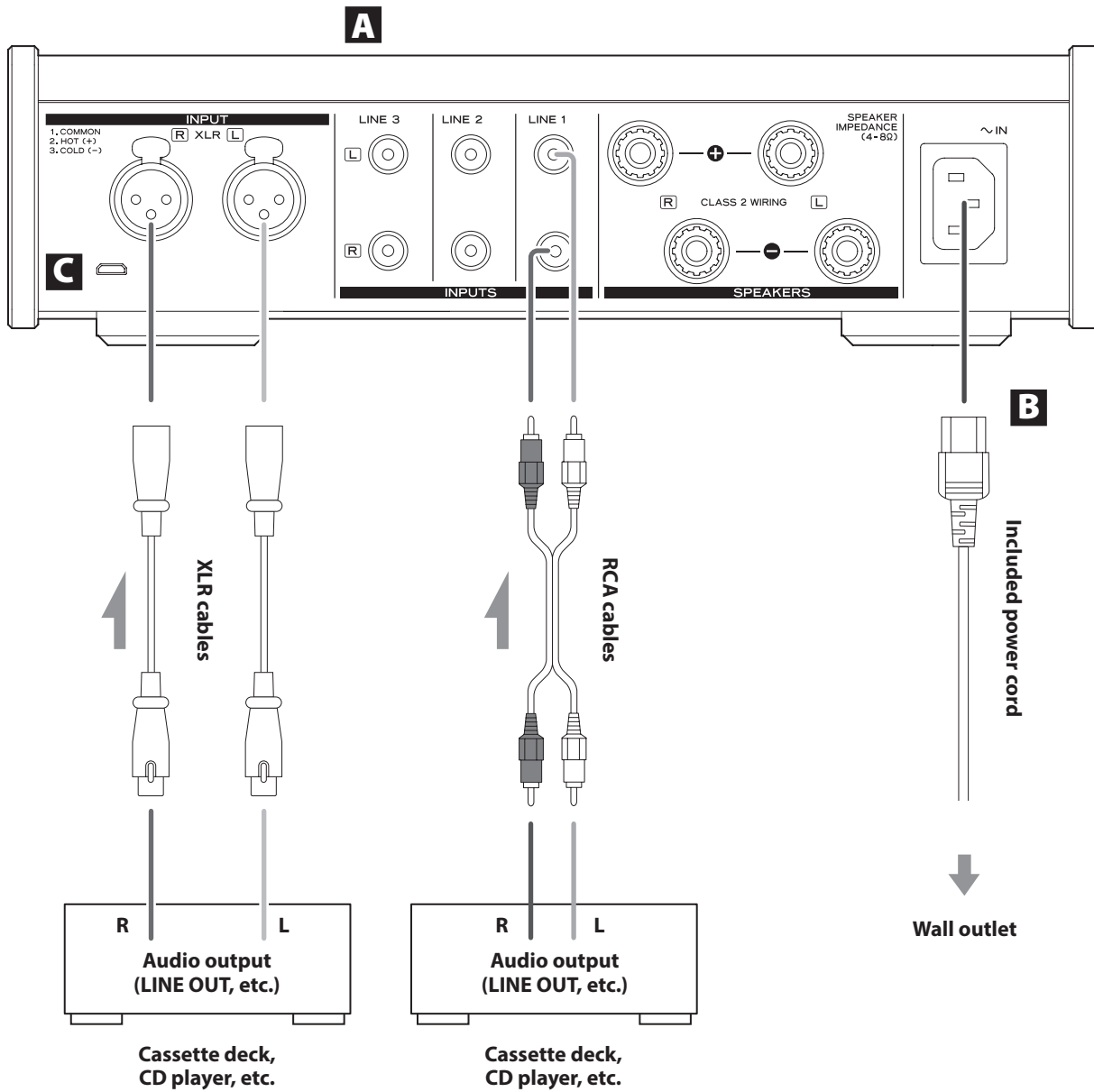
In accordance with European safety regulations, connecting banana plugs to speaker terminals is not allowed on European models.

The holes into which banana plugs could be inserted have been covered with black caps.

Connect speakers using bare wires or spade lugs.

If a black cap should become separated from its terminal, return it to its original position.

# Connections



## A Analog audio input connectors (LINE 1, LINE 2, LINE 3, XLR)

Use these to input stereo analog audio. Connect the audio output connectors of a cassette deck, CD player or other audio output equipment to these.

Connect this unit's R input connector to the R output connector of the audio output device, and this unit's L input connector to the L output connector of the other device.

- This unit's XLR connectors are 2: HOT.

### Use commercially-available audio cables for connections.

- LINE1: RCA cables
- LINE2: RCA cables
- LINE3: RCA cables
- XLR: XLR cables



## Connecting headphones

### B Power inlet (~IN)

Connect the supplied power cord here.

After all other connections are complete, connect the power cord's plug to a wall outlet.

**⚠ Do not use any power cord other than the one included with this unit. Use of other power cords could result in fire or electric shock.**

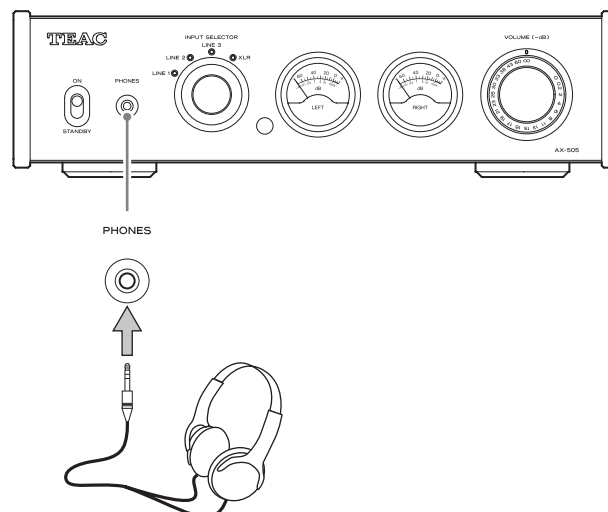
**⚠ Unplug the cord from the outlet when not using the unit for a long time.**

**⚠ Complete all other connections before setting the STANDBY/ON switch to ON.**

- Carefully read the manuals of the devices that you are connecting and follow their instructions when making connections.
- Do not bundle connecting cables with power cords. Doing so could cause noise.
- Connect all plugs completely.

### C Maintenance port

This is used for maintenance. Do not connect anything to this port unless instructed to do so by our service department.



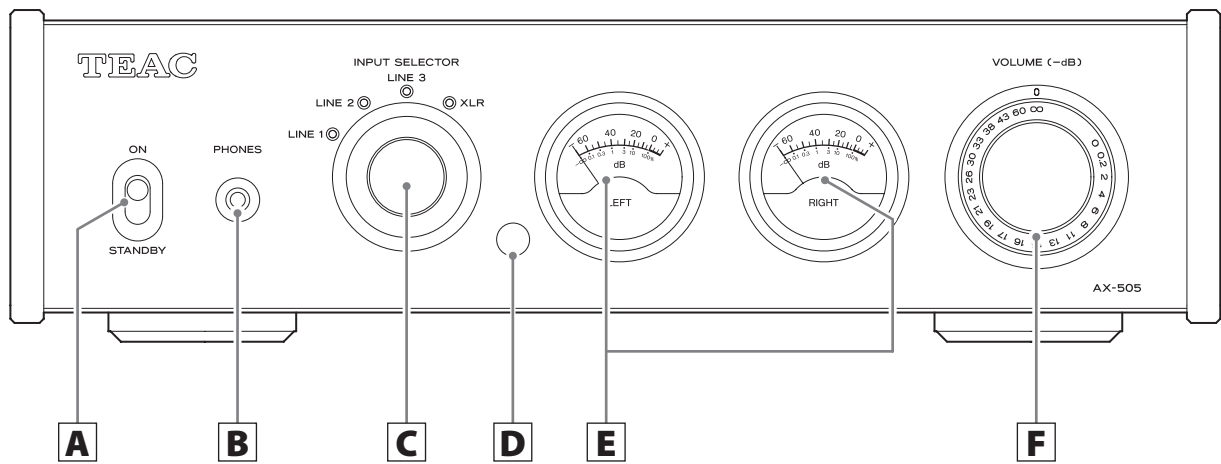
### ⚠ CAUTION

While wearing headphones, do not connect or disconnect them or turn the unit on or off.

Doing so could result in a sudden loud noise that could harm your hearing.

**Always set the volume to minimum ( $-\infty$  dB) before putting headphones on (page 12).**

# Main unit parts and functions



## A STANDBY/ON switch

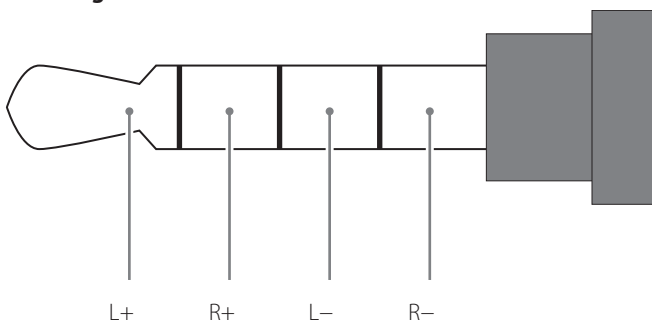
Use to put the unit into standby mode or turn it on.

## B PHONES jack

Connect headphones with a 3.5mm (1/8") stereo mini plug here (page 9).

- This headphone amp circuit uses a four-pole connector with independent left and right for grounding. Ordinary plugs with 3 or 4 poles can be used.
- When headphones are connected to this unit, sound will be output from the PHONES jack but will not be output from the SPEAKERS terminals on the back of the unit.

### Wiring illustration



## C INPUT SELECTOR knob

Use to select the input source. The indicator lights for the selected source.

## D Remote control signal receiver

This receives signals from the remote control. When operating the remote control, point it at the remote control signal receiver.

## E Level meters

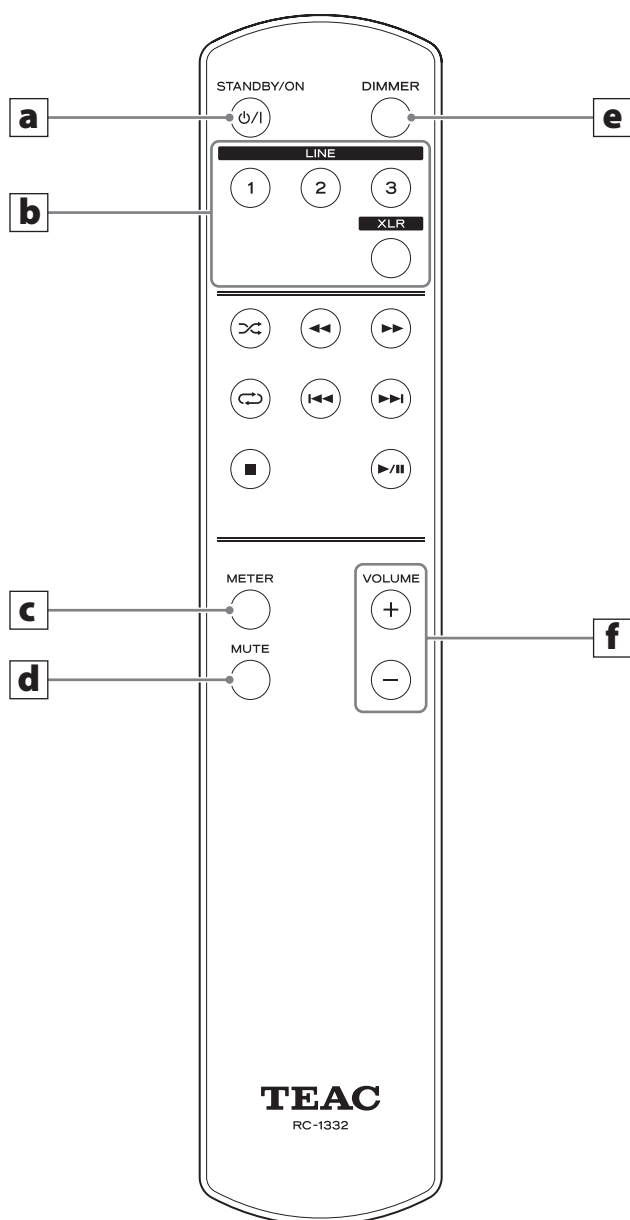
These show the output levels.

## F VOLUME knob

Use to adjust the volume. Turn right to increase and left to decrease the volume.

The maximum volume level is 0 and the minimum level is  $-\infty$  (negative infinity). Before setting the STANDBY/ON switch to ON, set the VOLUME knob to its minimum value ( $-\infty$ ). Failure to do so could result in sudden loud noises that could damage speakers and harm your hearing.

# Remote control parts and functions



## **a** STANDBY/ON button

Press to put the unit into standby mode or turn it on.

## **b** Input selection buttons

Use to select the playback source.

## **c** METER button

Press to change level meter operation.

## **d** MUTE button

Press this button to mute the sound temporarily. Press it again to restore sound output at the previous level (page 13). Press and hold to cancel muting (page 13).

## **e** DIMMER button

Use to change the brightness of the input source indicators and level meters.

Press to cycle through the brightness settings in the following order.

Bright indicators, bright meters



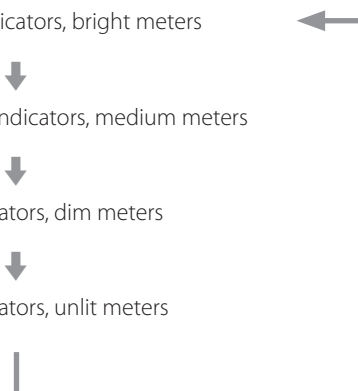
Medium indicators, medium meters



Dim indicators, dim meters



Dim indicators, unlit meters



## **f** VOLUME (+/-) buttons

Use to adjust the volume.

Press and hold a VOLUME button to continuously change the volume.

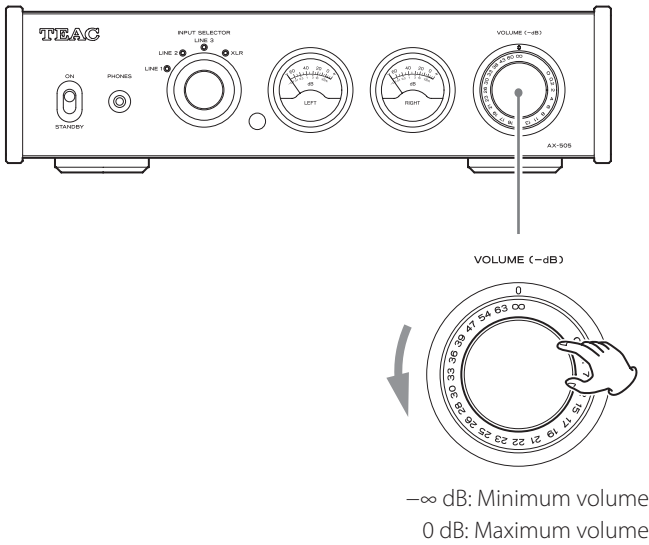
The RC-1332 remote control supplied with the AX-505 can control both AX-505 and PD-501HR units. Only the buttons used for the AX-505 are explained in this document.

When the main unit and the remote control both have buttons with the same functions, this manual explains how to use one of the buttons. The other corresponding button can be used in the same manner.

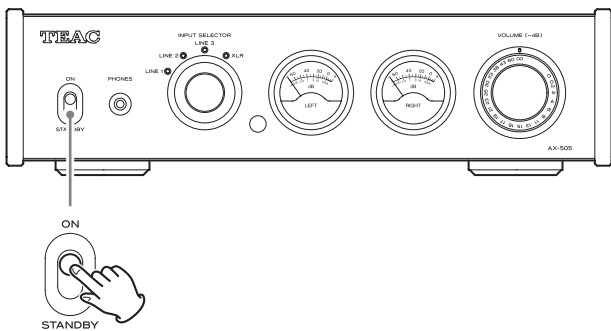
# Basic operation

## 1 Minimize the volume.

Use the VOLUME knob or the remote control VOLUME buttons to minimize the volume.

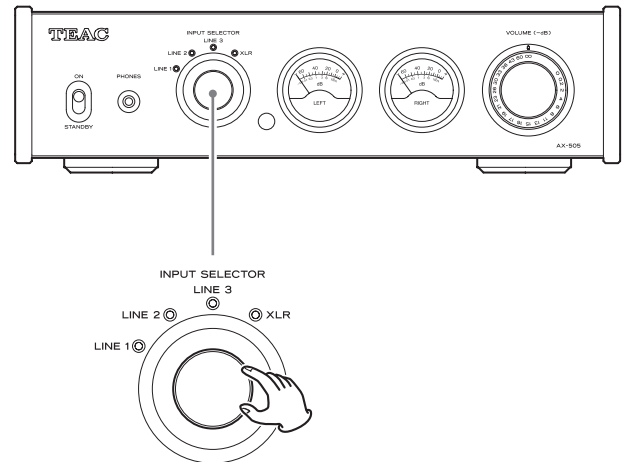


## 2 Set the STANDBY/ON switch to ON.



The input source indicators will blink and the mute function will turn on. When the amplifier operation stabilizes, the indicators will light and the mute function will turn off.

## 3 Turn the INPUT SELECTOR knob to select the input source.

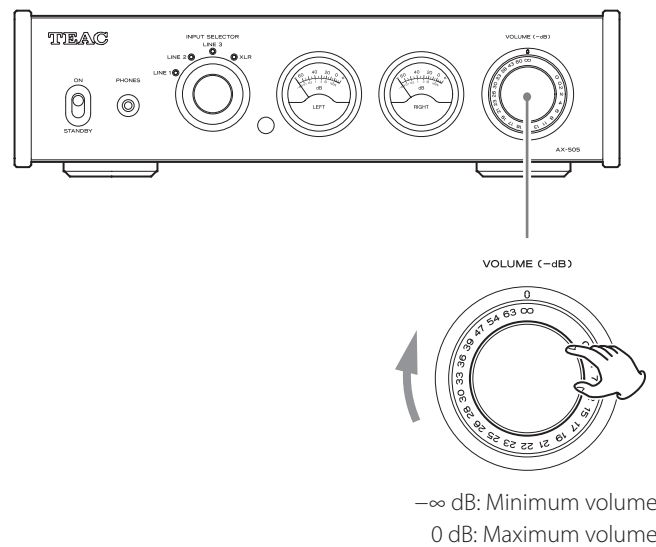


The input indicator lights for the selected source.

## 4 Operate the playback device.

Refer to the operation manual of that device.

## 5 Adjust the volume.



Start playback on the source and use the VOLUME knob or remote control VOLUME buttons to adjust the volume to its optimal level.

## Automatic power saving function

This unit has an automatic power saving function. If the automatic power saving function is set to on, the unit will automatically enter standby mode if there is no audio input for about 30 minutes.

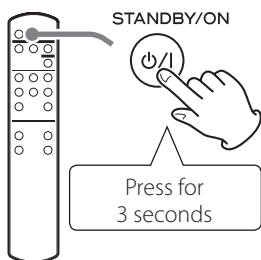
You can check the automatic power saving setting by looking at the input source indicators immediately after turning the unit on.

- Automatic power saving function on  
An input source indicator will blink every two seconds.
- Automatic power saving function off  
After all input source indicators light for two seconds, an input source indicator will blink every two seconds.

## Turning automatic power saving on and off

- 1 Press the remote control STANDBY/ON button to put the unit into standby.**
- 2 Press and hold the remote control STANDBY/ON button for three seconds.**

The unit turns on, all the input source indicators blink and the on/off setting changes.

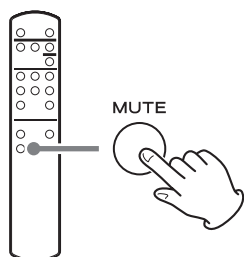


## Muting playback

If you want to temporarily mute the volume of this unit, press the remote control MUTE button.

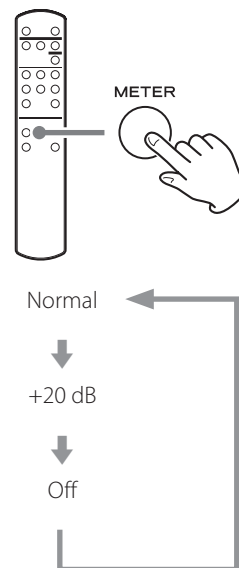
- The input source indicators blink when playback is muted.

Press the remote control MUTE button again to cancel muting.



## Changing level meter operation

Press the remote control METER button to cycle through level meter operation settings.

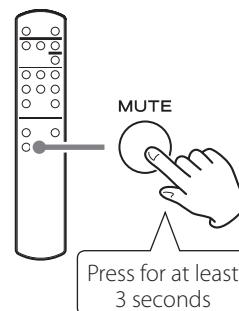


- When level meter operation is +20 dB, needle movement will be greater than usual.

## Restoring default settings

After minimizing the volume, press and hold the remote control MUTE button for at least 3 seconds.

The defaults will be restored after the input source indicators and level meters blink and the unit restarts.



# Troubleshooting

---

If you experience a problem with the unit, please take a moment to review the following information before requesting service. If it still does not operate correctly, contact the retailer where you purchased the unit.

## General

### The unit does not turn on.

- ➔ Check that the power cord is completely plugged into the power outlet. If the outlet is switched, confirm that the switch is in the ON position.
- ➔ Connect a different electrical device to the outlet to confirm that it is supplying power.

### No sound is output.

- ➔ Adjust the VOLUME knob. Turn it clockwise (right) to increase the volume (page 10).
- ➔ Use the INPUT SELECTOR knob to select the input that is connected to the source that you want to hear (page 12).
- ➔ Reconfirm the connections with other equipment.

### Remote control does not work.

- ➔ Set the main unit STANDBY/ON switch to ON before using the remote control.
- ➔ If the batteries are exhausted, replace both of them with new ones.
- ➔ The remote control will not work if there is an obstruction between it and the main unit.  
Point the remote control at the remote control center on the unit from a distance of less than 5 m (16 ft.).

### A television set or another device operates in error.

- ➔ Some televisions that are able to receive signals from wireless remote controls might be operated in error by this unit's remote control.  
If this is the case, turn the other devices off when using this remote control.

### Noise occurs.

- ➔ Place the unit as far away as possible from TVs, microwave ovens and other devices that have strong magnetism.

### There is a humming noise.

- ➔ If a connecting cable is near a power cord, fluorescent light or similar cause of interference, increase the distance between them as much as possible.

### There is no sound from one side of the headphones.

- ➔ Confirm that the headphones plug is inserted completely.

### The level meter lights are blinking and no sound is output.

- ➔ The ⊕ and ⊖ speaker cables might have shorted. Set the STANDBY/ON switch to STANDBY, and check the speaker connections.

### Sound output stops suddenly and the level meter lights are blinking.

- ➔ The protection circuit might have activated due to high temperature, excessive load or another cause. Set the STANDBY/ON switch to STANDBY, check the power and speaker connections, and wait several minutes before setting it to ON again.  
If this unit is becoming hot, increase the amount of space between it and walls and other devices to increase the dissipation of heat.

### Automatic power saving caused the unit to enter standby.

- ➔ Set the STANDBY/ON switch to STANDBY once and then set it to ON again.

## Amplifier

Rated output .....	115 W + 115 W (4 Ω, 1 kHz, THD 0.8%)
	70 W + 70 W (8 Ω, 1 kHz, THD 0.8%)
Allowable speaker impedance .....	4–8 Ω
Total harmonic distortion .....	0.002% (8 Ω, 1 kHz, 1 W, JEITA)
S/N ratio (input short)	
LINE IN .....	110 dB (8 Ω, 1 kHz, IHF-A)
Frequency response .....	10 Hz – 50 kHz (–5 dB) (8 Ω, 1 kHz, 1 W, JEITA)

## Headphones output

Connector.....	3.5mm (1/8") 4-pole stereo mini jack
Maximum output level .....	360 mW + 360 mW (into 32Ω load, THD 10%, JEITA)
Frequency response .....	5 Hz – 150 kHz (–3 dB)
Distortion .....	0.003% (30mW output into 32Ω load, JEITA)
S/N ratio.....	115 dB
Compatible impedance range .....	16–600 Ω

## Analog inputs

LINE connectors .....	3 pairs
Maximum input level.....	2.5 Vrms
Input impedance.....	10 kΩ or more
XLR connectors.....	1 pair
Maximum input level.....	3 Vrms
Input impedance.....	10 kΩ or more

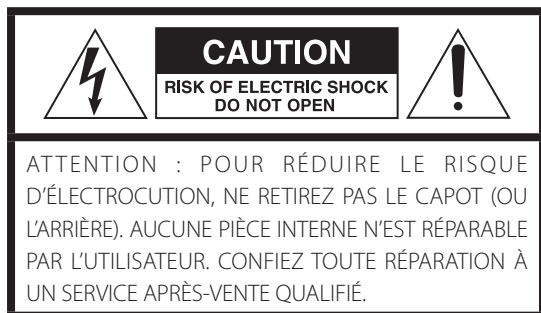
## General

Power supply	
Model for Europe .....	AC 220–240 V, 50/60 Hz
Model for USA/Canada .....	AC 120 V, 60 Hz
Power consumption	
Models for Europe and USA/Canada .....	56 W
External dimensions (W × H × D, including protrusions)	
	290 × 81.2 × 264 mm (11 1/2" × 3 1/4" × 10 1/2")
Weight .....	4.2 kg (9 3/8 lb)
Operating temperature range .....	+5°C to +35°C
Operating humidity range.....	5% – 85% (no condensation)
Storage temperature range .....	–20°C to +55°C

## Included accessories

- Power cord × 1
- Remote control (RC-1332) × 1
- Batteries for remote control (AAA) × 2
- Owner's manual (this document, including warranty) × 1
- For information about the warranty, users living in the USA and Canada should see pages 44–45 and the back cover (warranty document). Users living in Europe and other regions should see page 45.
- Design and specifications are subject to change without notice.
- Weight and dimensions are approximate.
- Illustrations in this manual might differ slightly from production models.

# INSTRUCTIONS DE SÉCURITÉ IMPORTANTES



Le symbole d'éclair à tête de flèche dans un triangle équilatéral sert à prévenir l'utilisateur de la présence dans l'enceinte du produit d'une « tension dangereuse » non isolée d'une grandeur suffisante pour constituer un risque d'électrocution pour les personnes.



Le point d'exclamation dans un triangle équilatéral sert à prévenir l'utilisateur de la présence d'instructions importantes de fonctionnement et de maintenance (entretien) dans les documents accompagnant l'appareil.

**AVERTISSEMENT : POUR PRÉVENIR LES RISQUES D'INCENDIE ET D'ÉLECTROCUTION, N'EXPOSEZ PAS CET APPAREIL À LA PLUIE NI À L'HUMIDITÉ.**

## ATTENTION

- NE RETIREZ PAS LES CAPOTS EXTERNES OU BOÎTIERS POUR EXPOSER L'ÉLECTRONIQUE. AUCUNE PIÈCE INTERNE N'EST RÉPARABLE PAR L'UTILISATEUR.
- SI VOUS RENCONTREZ DES PROBLÈMES AVEC CE PRODUIT, CONTACTEZ LE MAGASIN OÙ VOUS AVEZ ACHETÉ L'UNITÉ. N'UTILISEZ PAS LE PRODUIT TANT QU'IL N'A PAS ÉTÉ RÉPARÉ.
- L'UTILISATION DE COMMANDES, DE RÉGLAGES OU LE SUIVI DE PROCÉDURES AUTRES QUE CE QUI EST DÉCRIT DANS CE DOCUMENT PEUT PROVOQUER UNE EXPOSITION À UN RAYONNEMENT DANGEREUX.

- 1) Lisez ces instructions.
  - 2) Conservez ces instructions.
  - 3) Tenez compte de tous les avertissements.
  - 4) Suivez toutes les instructions.
  - 5) N'utilisez pas cet appareil avec de l'eau à proximité.
  - 6) Ne nettoyez l'appareil qu'avec un chiffon sec.
  - 7) Ne bloquez aucune ouverture de ventilation. Installez-le conformément aux instructions du fabricant.
  - 8) N'installez pas l'appareil près de sources de chaleur telles que des radiateurs, bouches de chauffage, poêles ou autres appareils (y compris des amplificateurs) dégageant de la chaleur.
  - 9) Ne neutralisez pas la fonction de sécurité de la fiche polarisée ou de terre. Une fiche polarisée a deux broches, l'une plus large que l'autre. Une fiche de terre a deux broches identiques et une troisième broche pour la mise à la terre. La broche plus large ou la troisième broche servent à votre sécurité. Si la fiche fournie n'entre pas dans votre prise, consultez un électricien pour le remplacement de la prise obsolète.
  - 10) Évitez de marcher sur le cordon d'alimentation et de le pincer, en particulier au niveau des fiches, des prises secteur, et du point de sortie de l'appareil.
  - 11) N'utilisez que des fixations/accessoires spécifiés par le fabricant.
  - 12) Utilisez-le uniquement avec des chariots, socles, trépieds, supports ou tables spécifiés par le fabricant ou vendus avec l'appareil. Si un chariot est utilisé, faites attention à ne pas être blessé par un renversement lors du déplacement de l'ensemble chariot/appareil.
  - 13) Débranchez cet appareil en cas d'orage ou de non utilisation prolongée.
  - 14) Confiez toute réparation à des techniciens de maintenance qualifiés. Une réparation est nécessaire si l'appareil a été endommagé d'une quelconque façon, par exemple si le cordon ou la fiche d'alimentation est endommagé, si du liquide a été renversé sur l'appareil ou si des objets sont tombés dedans, si l'appareil a été exposé à la pluie ou à l'humidité, s'il ne fonctionne pas normalement, ou s'il est tombé.
- L'appareil tire un courant nominal de veille de la prise secteur quand son interrupteur POWER ou STANDBY/ON n'est pas en position ON.
  - La fiche secteur est utilisée comme dispositif de déconnexion et doit donc toujours rester disponible.
  - Des précautions doivent être prises en cas d'utilisation d'écouteurs ou d'un casque avec le produit car une pression sonore excessive (volume trop fort) dans les écouteurs ou dans le casque peut causer une perte auditive.





## ATTENTION

- N'exposez pas cet appareil aux gouttes ni aux éclaboussures.
- Ne placez pas d'objet rempli de liquide sur l'appareil, comme par exemple un vase.
- N'installez pas cet appareil dans un espace confiné comme une bibliothèque ou un meuble similaire.
- L'appareil doit être placé suffisamment près de la prise de courant pour que vous puissiez à tout moment attraper facilement la fiche du cordon d'alimentation.
- Si le produit utilise des piles/batteries (y compris un pack de batteries ou des piles installées), elles ne doivent pas être exposées au soleil, au feu ou à une chaleur excessive.
- **PRÉCAUTION** pour les produits qui utilisent des batteries remplaçables au lithium : remplacer une batterie par un modèle incorrect entraîne un risque d'explosion. Remplacez-les uniquement par un type identique ou équivalent.

## AVERTISSEMENT

Les produits ayant une construction de Classe **I** sont équipés d'un cordon d'alimentation avec une fiche de terre. Le cordon d'un tel produit doit être branché dans une prise secteur avec terre de sécurité.

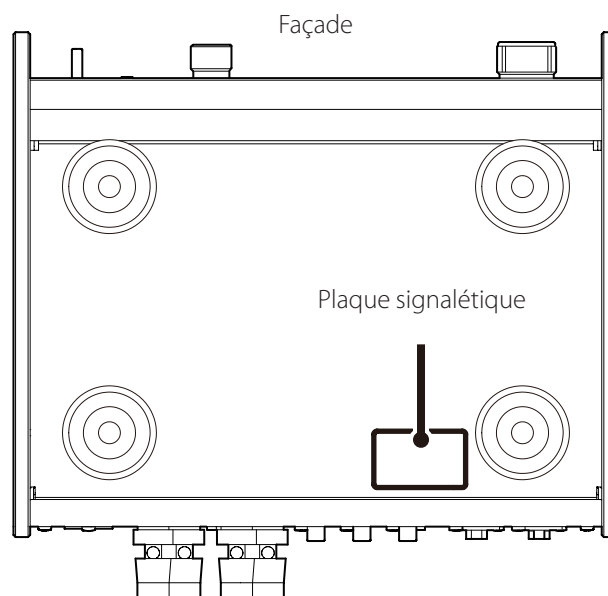
**AUX USA/CANADA, UTILISEZ UNIQUEMENT UNE TENSION D'ALIMENTATION DE 120 V.**

### ⚠ Précautions concernant les piles

Un mauvais emploi des piles peut entraîner leur rupture ou leur fuite, avec pour conséquence un incendie, des blessures ou la salissure des objets proches. Veuillez lire et suivre attentivement les précautions suivantes.

- Veillez à insérer les piles avec leurs pôles positif ( $\oplus$ ) et négatif ( $\ominus$ ) correctement orientés.
- Utilisez des piles du même type. N'utilisez jamais des types de pile différents ensemble.
- Si la télécommande doit rester inutilisée durant une période prolongée (plus d'un mois), retirez ses piles pour éviter qu'elles ne coulent.
- Si les piles coulent, essuyez le liquide dans le compartiment des piles et remplacez les piles par des neuves.
- N'utilisez pas de piles d'un type autre que celui spécifié. Ne mélangez pas des piles neuves avec des anciennes et n'utilisez pas ensemble des types de pile différents.
- Ne chauffez pas et ne démontez pas les piles. Ne jetez jamais les piles dans un feu ou dans de l'eau.
- Ne conservez et ne transportez pas les piles avec d'autres objets métalliques. Les piles pourraient entrer en court-circuit, couler ou exploser.
- Ne rechargez jamais une batterie sans avoir vérifié qu'elle peut l'être.

La plaque signalétique se trouve sous l'unité comme représenté ci-dessous.



# INSTRUCTIONS DE SÉCURITÉ IMPORTANTES (suite)

## Modèle pour le Canada

Déclaration de conformité d'Industrie Canada :  
CET APPAREIL NUMÉRIQUE DE LA CLASSE B EST CONFORME À LA  
NORME NMB-003 DU CANADA



## Modèle pour l'Europe



Ce produit est conforme aux directives européennes et aux autres réglementations de la Commission européenne.

## Pour les consommateurs européens

### Mise au rebut des équipements électriques et électroniques et des piles et/ou accumulateurs

- Tout équipement électrique/électronique et pile/accumulateur hors d'usage doit être traité séparément de la collecte municipale d'ordures ménagères dans des points de collecte désignés par le gouvernement ou les autorités locales.
- En vous débarrassant correctement des équipements électriques/électroniques et piles/accumulateurs hors d'usage, vous contribuerez à la sauvegarde de précieuses ressources et à la prévention de potentiels effets négatifs sur la santé humaine et l'environnement.
- Le traitement incorrect des équipements électriques/électroniques et piles/accumulateurs hors d'usage peut avoir des effets graves sur l'environnement et la santé humaine en raison de la présence de substances dangereuses dans les équipements.
- Le symbole de déchets d'équipements électriques et électroniques (DEEE), qui représente une poubelle à roulettes barrée d'une croix, indique que les équipements électriques/électroniques et piles/accumulateurs doivent être collectés et traités séparément des déchets ménagers.  
  
Si une pile ou un accumulateur contient plus que les valeurs de plomb (Pb), mercure (Hg) et/ou cadmium (Cd) spécifiées dans la directive sur les piles et accumulateurs (2006/66/CE), alors les symboles chimiques **Pb, Hg, Cd** de ces éléments seront indiqués sous le symbole DEEE.  

- Des systèmes de retour et de collecte sont disponibles pour l'utilisateur final. Pour des informations plus détaillées sur la mise au rebut des vieux équipements électriques/électroniques et piles/accumulateurs hors d'usage, veuillez contacter votre mairie, le service d'ordures ménagères ou le magasin dans lequel vous avez acquis l'équipement.

Les noms de société et de produit cités dans ce document sont des marques commerciales ou déposées de leurs détenteurs respectifs.

## Sommaire

Nous vous remercions d'avoir choisi TEAC.  
Lisez ce mode d'emploi avec attention pour tirer les meilleures performances de cette unité.  
Après l'avoir lu, gardez-le en lieu sûr pour vous y référer ultérieurement.

INSTRUCTIONS DE SÉCURITÉ IMPORTANTES.....	16
Accessoires fournis .....	19
Entretien .....	19
Utilisation du site mondial TEAC .....	19
Avant l'utilisation .....	20
Emploi de la télécommande.....	20
Branchement des enceintes .....	21
Branchements.....	22
Branchement d'un casque.....	23
Parties et fonctions de l'unité principale.....	24
Parties et fonctions de la télécommande.....	25
Fonctionnement de base.....	26
Guide de dépannage.....	28
Caractéristiques techniques.....	29

## Accessoires fournis

Vérifiez que l'emballage contient bien tous les éléments indiqués ci-dessous.

Veillez contacter le magasin dans lequel vous avez acheté cette unité si l'un de ces éléments manque ou a été endommagé durant le transport.

**Cordon d'alimentation × 1**

**Télécommande (RC-1332) × 1**

**Piles pour télécommande (AAA) × 2**

**Mode d'emploi (ce document, y compris la garantie) × 1**

- Pour plus d'informations sur la garantie, les utilisateurs vivant aux États-Unis et au Canada doivent consulter les pages 44–45 et le dos de la couverture (document de garantie). Les utilisateurs vivant en Europe et dans d'autres régions doivent consulter la page 45.

## Entretien

Essayez les saletés du capot supérieur et des autres surfaces au moyen d'un chiffon doux légèrement humidifié avec un nettoyant neutre dilué.

N'utilisez pas de lingettes de nettoyage imbibées de produit chimique, de diluant ou d'autres agents chimiques. Cela pourrait endommager la surface.

**⚠ Pour votre sécurité, débranchez le cordon d'alimentation de la prise secteur avant tout nettoyage.**

## Utilisation du site mondial TEAC

Vous pouvez télécharger des mises à jour pour cette unité depuis le site mondial TEAC :

**<http://teac-global.com/>**

Dans la section TEAC Downloads (téléchargements TEAC), cliquez sur la langue souhaitée afin d'ouvrir la page de téléchargement du site web pour cette langue.

## Avant l'utilisation

### ⚠ Précautions concernant l'emplacement

- Placez l'unité sur une surface stable près du système audio que vous allez utiliser avec elle.
- N'installez pas cette unité dans un lieu qui pourrait chauffer. Cela comprend les endroits exposés directement au soleil ou près d'un radiateur, d'un chauffage, d'une cuisinière ou d'autres appareils chauffants. En outre, ne la placez pas au-dessus d'un amplificateur ou autre équipement dégageant de la chaleur. Cela pourrait causer une décoloration, une déformation ou un mauvais fonctionnement.  
Évitez aussi les endroits sujets aux vibrations ou exposés à une poussière excessive, au froid et à l'humidité.
- Quand vous installez cette unité, laissez un peu d'espace (au moins 3 cm) entre elle et les murs et d'autres appareils afin de permettre une bonne dissipation thermique.  
Si vous la placez par exemple sur une étagère, laissez au moins 5 cm de libre au-dessus de l'unité et 10 cm derrière elle. Ne pas laisser ces espaces peut faire monter la température au risque d'entraîner un incendie.
- Vous pouvez empiler cette unité avec un PD-501HR, NT-505 ou d'autres unités des gammes 501/503/505. Toutefois, si la chaleur déclenche le circuit de protection et que le son se coupe brutalement, placez cette unité sur le dessus et à distance suffisante des murs et autres appareils afin d'améliorer la dissipation thermique.
- Ne placez pas de CD, CD-R, cassettes, autres équipements audio ou autres éléments sensibles à la chaleur sur l'unité. Cela pourrait endommager ces articles.
- Ne posez pas de tissu sur l'unité et ne placez pas celle-ci sur du linge de maison ou sur une épaisse moquette. Cela pourrait entraîner la surchauffe de l'unité et l'endommager.
- Ne déplacez pas l'unité durant l'utilisation.
- La tension d'alimentation de l'unité doit correspondre à la tension imprimée sur son panneau arrière. Si vous avez des doutes à ce sujet, consultez un électricien.
- N'ouvrez pas le boîtier de l'unité car cela peut endommager les circuits ou causer un choc électrique. Si un objet étranger pénètre dans l'unité, consultez votre revendeur.
- Quand vous débranchez le cordon d'alimentation de la prise secteur, tirez toujours sur sa fiche, jamais sur le cordon.

## Emploi de la télécommande

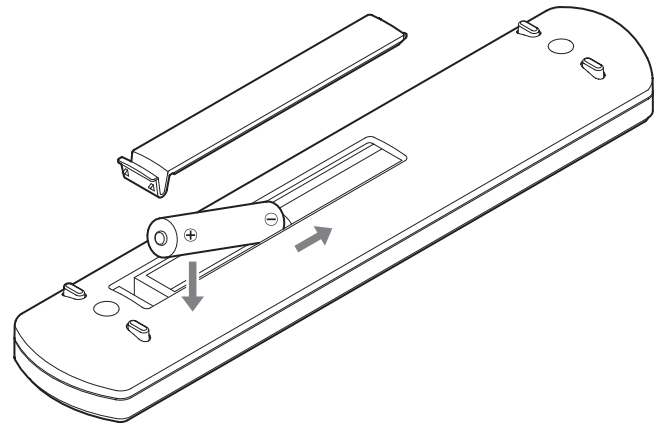
### Précautions d'emploi

⚠ **Un mauvais emploi des piles peut entraîner leur rupture ou leur fuite, avec pour conséquence un incendie, des blessures ou la salissure des objets proches. Veuillez attentivement lire et respecter les précautions en page 17.**

- Pour utiliser la télécommande, pointez-la vers le capteur de télécommande de l'unité principale dans un rayon maximal de 5 m. Ne placez pas d'obstacles entre l'unité principale et la télécommande.
- La télécommande peut ne pas fonctionner si le capteur de signal de télécommande de l'unité est exposé à la lumière du soleil ou à une forte source lumineuse. Si cela se produit, essayez de déplacer l'unité.
- Sachez que l'emploi de cette télécommande peut entraîner le déclenchement involontaire d'opérations sur d'autres appareils contrôlables par rayons infrarouges.

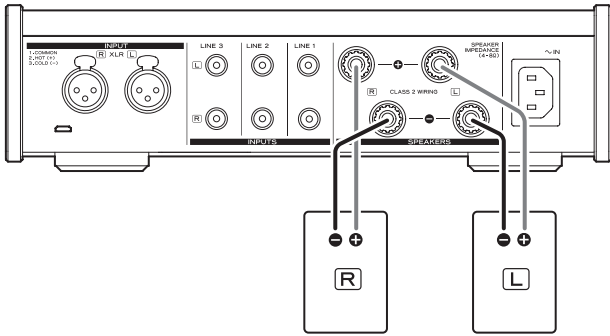
### Installation des piles

Ouvrez l'arrière de la télécommande et insérez deux piles AAA avec leurs pôles ⊕/⊖ orientés comme indiqué dans le boîtier. Remplacez le couvercle.



### Quand faut-il remplacer les piles ?

Si la portée d'action de la télécommande diminue ou si l'unité principale cesse de répondre aux touches de la télécommande, remplacez les deux piles par des neuves. Jetez les piles usagées conformément à leurs instructions ou aux directives établies par votre municipalité.



## ⚠ Précautions lors du branchement des enceintes

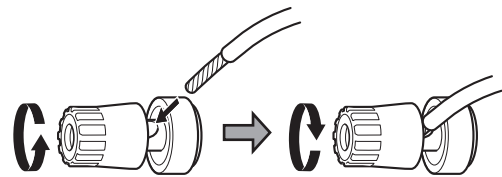
- Branchez le cordon d'alimentation une fois toutes les autres connexions faites.
- Lisez attentivement les modes d'emploi des appareils que vous branchez et suivez leurs instructions quand vous faites les branchements.
- Lorsque les masses gauche et droite sont communes par exemple dans un caisson de graves avec amplificateur intégré, certaines conditions de connexion peuvent rendre l'utilisation impossible.

## ATTENTION

- Cette unité fonctionne avec des enceintes dont l'impédance nominale est comprise entre  $4 \Omega$  et  $8 \Omega$ . L'emploi d'enceintes d'impédance inférieure à  $4 \Omega$  peut notamment déclencher le circuit de protection, ce qui coupe le son. Dans certains cas, cette unité et les enceintes peuvent même être endommagées.
- Le bornier rouge de cette unité est le plus ( $\oplus$ ) et son bornier noir est le moins ( $\ominus$ ). Généralement, le conducteur  $\oplus$  du câble d'enceinte est marqué pour le distinguer du conducteur  $\ominus$ . Branchez le conducteur marqué au bornier  $\oplus$  rouge, et le conducteur non marqué au bornier  $\ominus$  noir.
- Si l'extrémité dénudée d'un conducteur de câble d'enceinte entre en contact avec un autre câble ou bornier, un court-circuit peut en résulter.
- Ne laissez jamais les câbles d'enceinte causer un court-circuit.
- Pour éviter tout ronflement ou bruit parasite, ne regroupez pas les câbles avec le cordon d'alimentation secteur ou d'autres câbles.

## Comment brancher les enceintes

- 1** Dénudez environ un centimètre de câble d'enceinte à son extrémité et épissez bien les conducteurs.
- 2** Dévissez le capuchon du bornier en le tournant dans le sens anti-horaire.
- 3** Insérez le fil conducteur dans le bornier et revissez le capuchon en le tournant dans le sens horaire afin que le fil soit bien tenu.



- Connectez-le de façon à ce qu'aucune partie de l'isolant ne touche le bornier.

- 4** Vérifiez que le câble est solidement fixé en tirant doucement sur le câble.

## Connexion par fiches bananes

Vous pouvez également faire des connexions au moyen de fiches bananes disponibles dans le commerce. D'abord, montez les fiches bananes sur les câbles d'enceinte, puis connectez les fiches aux borniers.

- Maintenez les capuchons vissés pendant l'utilisation.
- Lisez attentivement les instructions concernant les fiches bananes que vous utilisez.

## ATTENTION

### Remarque concernant le modèle européen

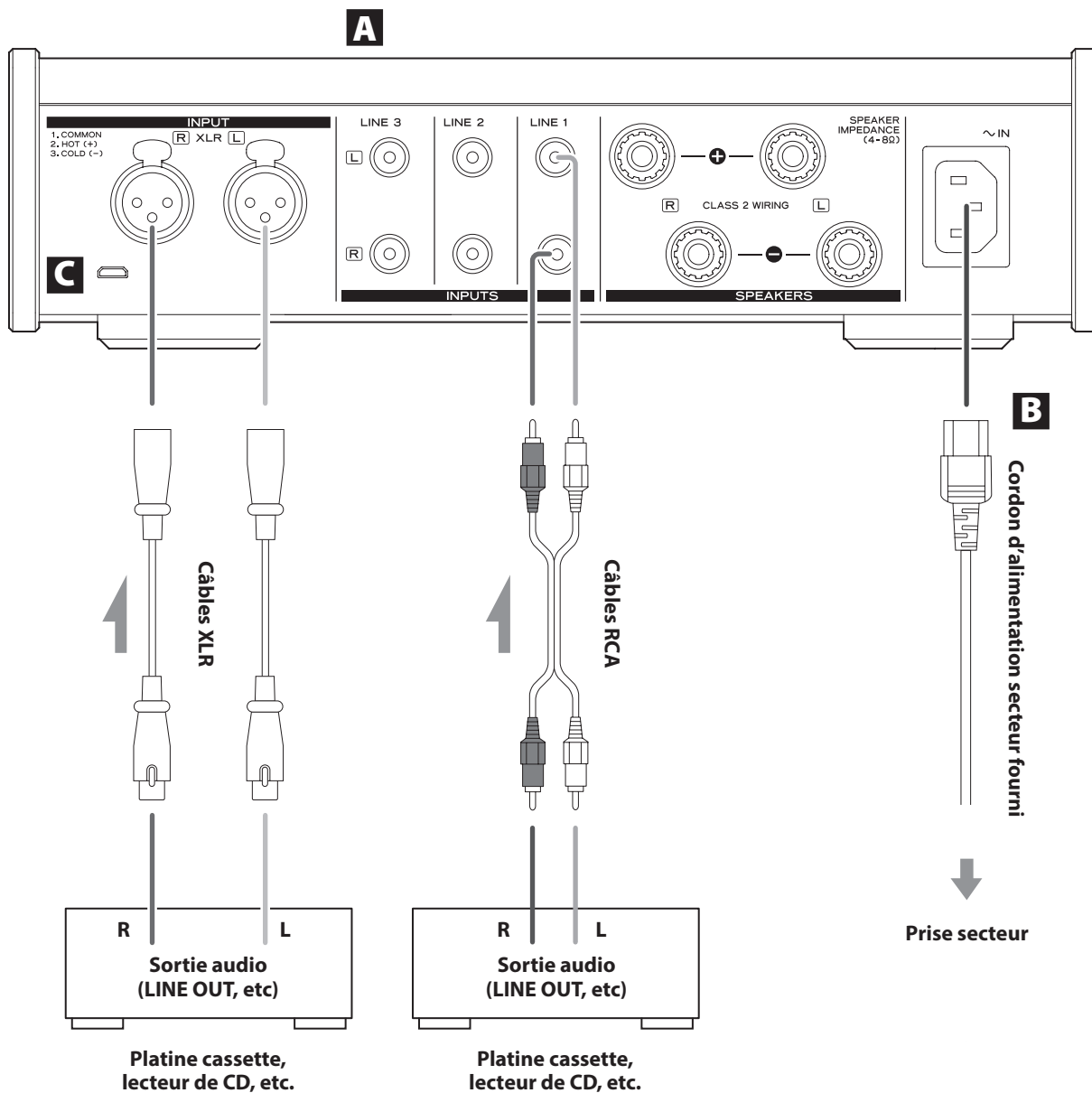
Conformément aux réglementations de sécurité européennes, le branchement de fiches bananes à des borniers d'enceinte n'est pas autorisé sur les modèles européens.

Les orifices dans lesquels pourraient s'insérer les fiches bananes ont été occultés par des capuchons noirs.

Branchez les enceintes à l'aide de câbles nus ou portant des cosses à fourche.

Si un capuchon noir sort de son bornier, remettez-le en place.

# Branchements



## A Prises d'entrée audio analogique (LINE 1, LINE 2, LINE 3, XLR)

Servent à recevoir l'audio analogique stéréo. Branchez-y les prises de sortie audio d'une platine cassette, d'un lecteur de CD ou autre équipement à sortie audio.

Reliez la prise d'entrée R (droite) de cette unité à la prise de sortie R de l'appareil audio source, et la prise d'entrée L (gauche) de cette unité à la prise de sortie L de l'autre appareil.

- Les connecteurs XLR de cette unité ont le « point chaud » sur la broche 2.

## Utilisez des câbles audio du commerce pour les branchements.

- LINE1 : câbles RCA
- LINE2 : câbles RCA
- LINE3 : câbles RCA
- XLR : câbles XLR

## Branchement d'un casque

### B Prise d'entrée d'alimentation (~IN)

Branchez ici le cordon d'alimentation fourni. Une fois tous les autres branchements terminés, branchez la fiche du cordon d'alimentation dans une prise secteur.

**⚠ N'utilisez aucun cordon d'alimentation autre que celui fourni avec cette unité. L'utilisation d'autres cordons d'alimentation peut entraîner un incendie ou un choc électrique.**

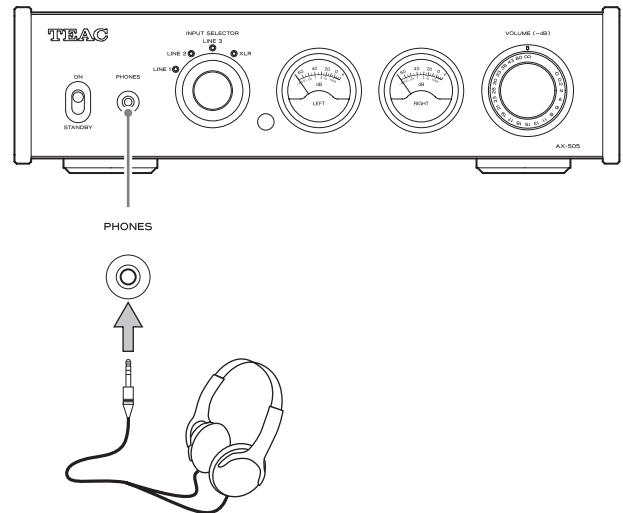
**⚠ Débranchez le cordon de la prise secteur en cas de non-utilisation prolongée de l'unité.**

**⚠ Effectuez toutes les autres connexions avant de basculer l'interrupteur **STANDBY/ON** sur **ON**.**

- Lisez attentivement les modes d'emploi des appareils que vous branchez et suivez leurs instructions quand vous faites les branchements.
- Ne regroupez pas les câbles de connexion avec des cordons d'alimentation. Cela pourrait entraîner des bruits.
- Branchez à fond toutes les fiches.

### C Port de maintenance

Sert à la maintenance. N'y branchez rien sauf si vous êtes invité à le faire par notre service après-vente.

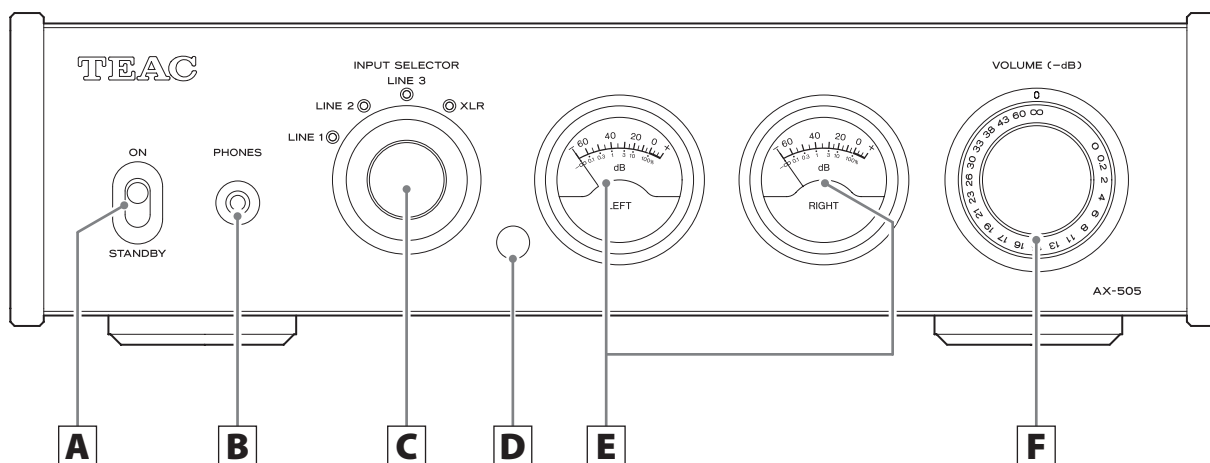


### ⚠ ATTENTION

N'allumez/n'éteignez pas l'unité et ne branchez/débranchez pas le casque quand vous portez ce dernier. Cela pourrait entraîner un bruit fort et soudain risquant d'endommager votre audition.

**Ramenez toujours le volume au minimum ( $-\infty$  dB) avant de mettre le casque (page 26).**

# Parties et fonctions de l'unité principale



## A Interrupteur STANDBY/ON

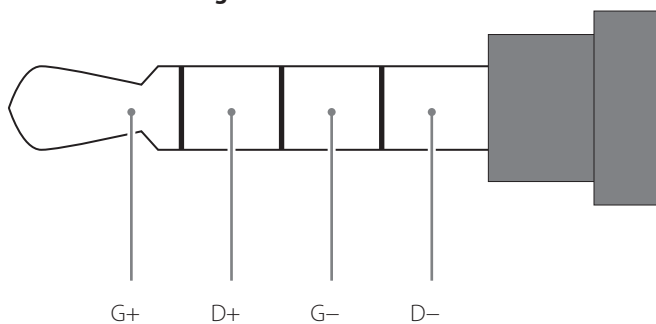
Utilisez-le pour mettre l'unité en veille ou pour l'allumer.

## B Prise casque (PHONES)

Branchez ici un casque à fiche mini-jack 3,5 mm stéréo (page 23).

- Ce circuit d'amplification pour casque utilise un connecteur à 4 points avec mise à la masse indépendante pour la gauche et la droite. Des fiches ordinaires à 3 ou 4 points peuvent être utilisées.
- Lorsqu'un casque est branché à cette unité, le son est produit par la prise PHONES mais plus par les borniers SPEAKERS de la face arrière.

### Schéma de câblage



## C Sélecteur d'entrée (INPUT SELECTOR)

Sert à sélectionner la source d'entrée. Le voyant de la source sélectionnée s'allume.

## D Capteur de signal de télécommande

Reçoit les signaux de la télécommande. Pour utiliser la télécommande, pointez-la vers le capteur de signal de télécommande.

## E Indicateurs de niveau

Ils affichent les niveaux de sortie.

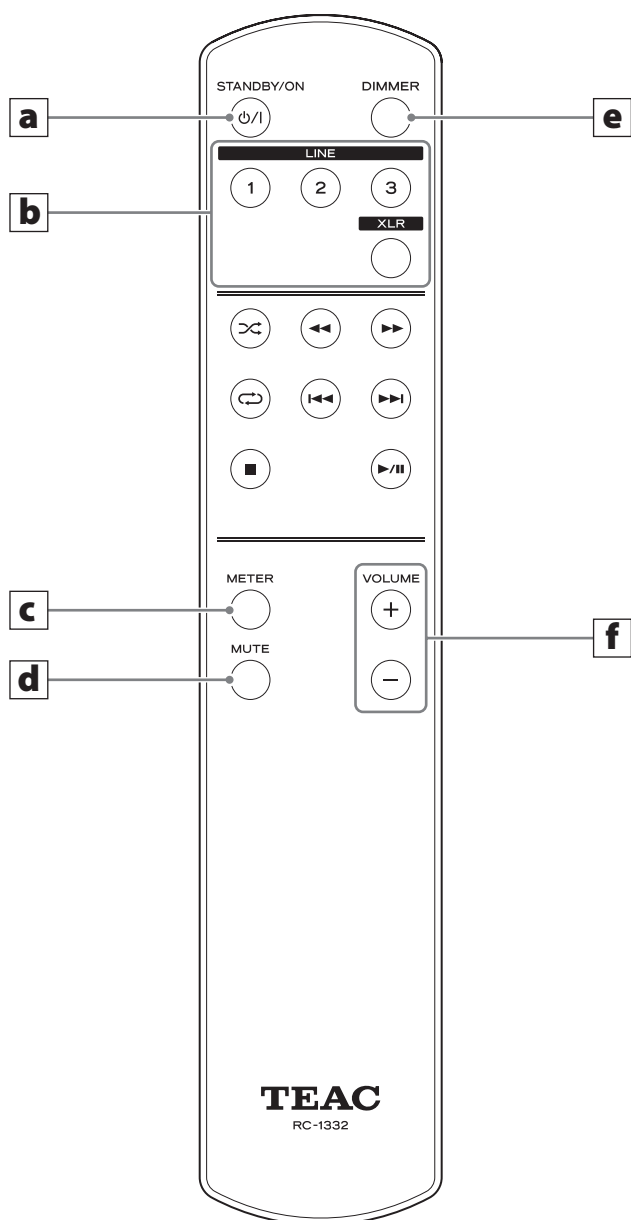
## F Bouton VOLUME

Sert à régler le volume. Tournez-le vers la droite pour monter le volume et vers la gauche pour le baisser.

Le niveau maximal de volume est 0, et le niveau minimal  $-\infty$  (moins l'infini). Avant de basculer l'interrupteur STANDBY/ON sur ON, réglez le bouton VOLUME au minimum ( $-\infty$ ). Ne pas le faire peut entraîner des bruits forts et soudains risquant d'endommager les haut-parleurs et d'altérer votre audition.



# Parties et fonctions de la télécommande



La télécommande RC-1332 fournie avec l'AX-505 peut contrôler à la fois l'AX-505 et le PD-501HR. Seules les touches servant à l'AX-505 sont expliquées dans ce document.

Quand l'unité principale et la télécommande ont toutes les deux des touches ayant les mêmes fonctions, ce mode d'emploi explique comment utiliser l'une ou l'autre. La touche homologue peut s'utiliser de la même façon.

## a Touche STANDBY/ON

Appuyez sur cette touche pour mettre l'unité en veille ou pour l'allumer.

## b Touches de sélection d'entrée

Servent à sélectionner la source de lecture.

## c Touche METER

Appuyez sur cette touche pour changer le fonctionnement des indicateurs de niveau.

## d Touche MUTE

Appuyez sur cette touche pour couper temporairement le son. Appuyez à nouveau pour rétablir le son (page 27). Appuyez sur cette touche et maintenez-la enfoncée pour rétablir les réglages d'usine par défaut de l'unité (page 27).

## e Touche DIMMER

Permet de modifier la luminosité des voyants de source d'entrée et des indicateurs de niveau. Appuyez pour faire défiler les réglages de luminosité dans l'ordre suivant.

Grande luminosité pour les voyants et les indicateurs de niveau



Luminosité moyenne pour les voyants et les indicateurs de niveau



Luminosité atténuée pour les voyants et les indicateurs de niveau



Luminosité atténuée pour les voyants, indicateurs de niveau éteints

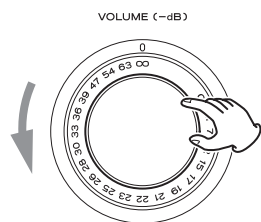
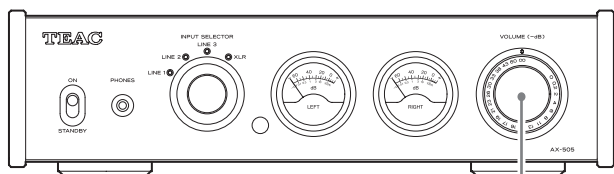
## f Touches VOLUME (+/-)

Servent à régler le volume. Maintenez une touche VOLUME enfoncée pour changer le volume en continu.

# Fonctionnement de base

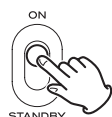
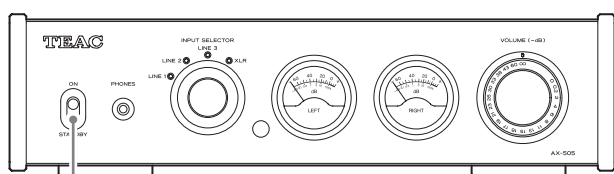
## 1 Réduisez le volume au minimum.

Utilisez le bouton VOLUME ou les touches VOLUME de la télécommande pour réduire le volume au minimum.



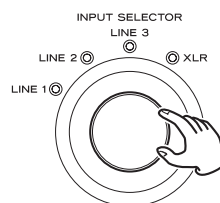
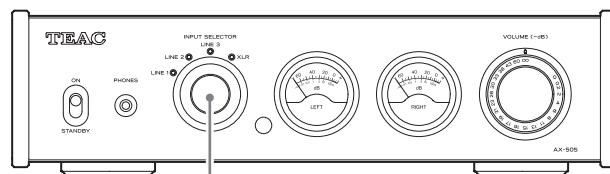
-∞ dB : volume minimal  
0 dB : volume maximal

## 2 Basculez l'interrupteur STANDBY/ON sur ON.



Les voyants de source d'entrée clignotent et la fonction de coupure du son s'active. Lorsque l'amplificateur s'est stabilisé, les voyants s'allument et la fonction de coupure du son est désactivée.

## 3 Tournez le sélecteur d'entrée (INPUT SELECTOR) pour choisir la source d'entrée.

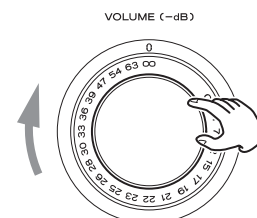
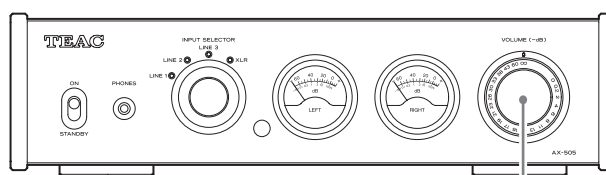


Le voyant de la source d'entrée sélectionnée s'allume.

## 4 Lancez la lecture sur l'appareil source.

Référez-vous au mode d'emploi de cet appareil.

## 5 Réglez le volume.



-∞ dB : volume minimal  
0 dB : volume maximal

Lancez la lecture sur la source et utilisez le bouton VOLUME ou les touches VOLUME de la télécommande pour régler le volume à son niveau optimal.

## Fonction d'économie automatique d'énergie

Cette unité a une fonction d'économie automatique d'énergie. Quand la fonction d'économie automatique d'énergie est activée, l'unité passe automatiquement en mode de veille si elle reste environ 30 minutes sans recevoir de signal audio.

Vous pouvez contrôler le réglage d'économie automatique d'énergie en regardant les indicateurs de source d'entrée juste après mise sous tension de l'appareil.

Fonction d'économie automatique d'énergie activée :

Un voyant de source d'entrée clignote toutes les deux secondes.

Fonction d'économie automatique d'énergie désactivée :

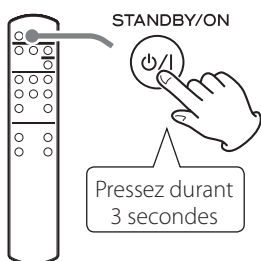
Après que tous les voyants de source d'entrée soient restés allumés durant deux secondes, un voyant de source d'entrée clignote toutes les deux secondes.

## Activation et désactivation de la fonction d'économie automatique d'énergie

**1** Appuyez sur la touche **STANDBY/ON** de la télécommande pour mettre l'unité en veille.

**2** Maintenez pressée la touche **STANDBY/ON** de la télécommande durant trois secondes.

L'unité s'allume, tous les voyants de source d'entrée clignotent et le réglage On/Off (activé/désactivé) change.

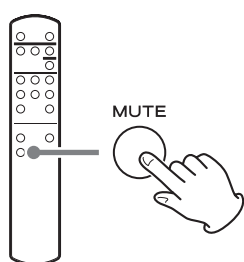


## Coupure du son

Si vous souhaitez couper temporairement le son de cette unité, appuyez sur la touche **MUTE** de la télécommande.

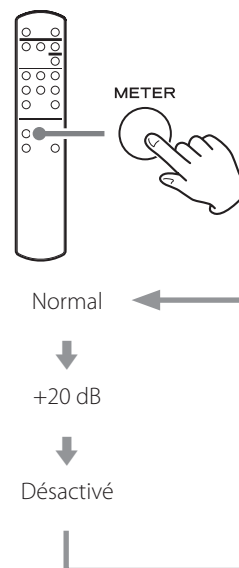
- Les voyants de source d'entrée clignotent lorsque le son est ainsi coupé.

Appuyez à nouveau sur la touche **MUTE** de la télécommande pour rétablir le son.



## Changement du fonctionnement des indicateurs de niveau

Appuyez sur la touche **METER** de la télécommande pour passer en revue les réglages de fonctionnement des indicateurs de niveau.

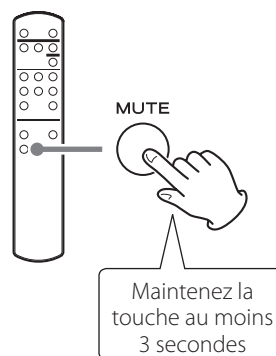


- Avec un réglage de fonctionnement à +20 dB, les mouvements de l'aiguille seront plus importants.

## Restauration des réglages par défaut

Après avoir réduit le volume au minimum, appuyez sur la touche **MUTE** de la télécommande et maintenez-la enfoncée pendant au moins trois secondes.

Les valeurs d'usine par défaut seront restaurées après clignotement des voyants de source d'entrée et des indicateurs de niveau et redémarrage de l'unité.



# Guide de dépannage

Si vous rencontrez un problème avec l'unité, veuillez prendre un moment pour lire les informations suivantes avant de solliciter une réparation. Si cette unité ne fonctionne toujours pas correctement, contactez le revendeur chez qui vous l'avez achetée.

## Générales

### L'unité ne s'allume pas.

- ➔ Vérifiez que le cordon d'alimentation est enfoncé à fond dans la prise secteur. Si la prise a un commutateur, vérifiez que celui-ci est en position ON.
- ➔ Branchez un autre appareil électrique à la prise pour vérifier qu'elle fournit bien du courant.

### Aucun son n'est produit.

- ➔ Réglez le bouton VOLUME. Tournez-le dans le sens horaire (vers la droite) pour augmenter le volume (page 24).
- ➔ Avec le sélecteur d'entrée (INPUT SELECTOR), sélectionnez l'entrée à laquelle est branchée la source que vous désirez entendre (page 26).
- ➔ Re-vérifiez les branchements aux autres équipements.

### La télécommande ne fonctionne pas.

- ➔ Réglez l'interrupteur STANDBY/ON de l'unité principale sur ON avant d'utiliser la télécommande.
- ➔ Si les piles sont déchargées, remplacez les deux par des neuves.
- ➔ La télécommande ne fonctionnera pas s'il y a un obstacle entre elle et l'unité principale.  
Pointez la télécommande vers son capteur sur l'unité à une distance de moins de 5 m.

### Un téléviseur ou un autre appareil réagit par erreur.

- ➔ La télécommande de cette unité peut déclencher par erreur certains téléviseurs capables de recevoir des signaux de télécommandes sans fil.  
Dans ce cas, éteignez les autres appareils quand vous utilisez cette télécommande.

### Du bruit se produit.

- ➔ Éloignez autant que possible l'unité des téléviseurs, fours à micro-ondes et autres appareils à fort champ magnétique.

### Il y a un bruit de ronflement.

- ➔ Si un câble de liaison est proche d'un cordon d'alimentation, d'un éclairage fluorescent ou d'une cause de parasites similaire, écartez-les autant que possible l'un de l'autre.

### Il n'y a pas de son d'un côté du casque.

- ➔ Vérifiez que la fiche du casque est enfoncée à fond.

### Les éclairages des indicateurs de niveau clignotent et aucun son ne sort.

- ➔ Les fils ⊕ et ⊖ d'une enceinte sont peut-être en court-circuit. Mettez l'interrupteur STANDBY/ON sur STANDBY et vérifiez les connexions des enceintes.

### Le son se coupe soudainement et l'éclairage des indicateurs de niveau clignote.

- ➔ Le circuit de protection peut s'être activé à cause d'une température élevée, d'une charge excessive ou d'une autre raison. Mettez l'interrupteur STANDBY/ON sur STANDBY, vérifiez les connexions d'alimentation et des enceintes et attendez quelques minutes avant de le rebasculer sur ON.  
Si cette unité chauffe, augmentez l'espace qui la sépare des murs et des autres appareils pour faciliter la dissipation thermique.

### L'économiseur automatique d'énergie a fait passer l'unité en veille.

- ➔ Mettez l'interrupteur STANDBY/ON sur STANDBY, puis ramenez-le sur ON.

## Amplificateur

Sortie nominale	115 W + 115 W (4 Ω, 1 kHz, DHT 0,8 %)
	70 W + 70 W (8 Ω, 1 kHz, DHT 0,8 %)
Impédance d'enceinte acceptable	4 – 8 Ω
Distorsion harmonique totale	0,002 % (8 Ω, 1 kHz, 1 W, JEITA)
Rapport signal/bruit (entrée court-circuitée)	
LINE IN	110 dB (8 Ω, 1 kHz, IHF-A)
Réponse en fréquence	10 Hz – 50 kHz (–5 dB) (8 Ω, 1 kHz, 1 W, JEITA)

## Sortie casque

Prise	Mini-jack 3,5 mm stéréo 4 points
Niveau de sortie maximal	360 mW + 360 mW (charge de 32 Ω, DHT 10 %, JEITA)
Réponse en fréquence	5 Hz – 150 kHz (–3 dB)
Distorsion	0,003 % (sortie de 30 mW sous charge de 32 Ω, JEITA)
Rapport signal/bruit	115 dB
Plage d'impédance compatible	16 – 600 Ω

## Entrées analogiques

Prises LINE	3 paires
Niveau d'entrée maximal	2,5 Vrms
Impédance d'entrée	10 kΩ ou plus
Connecteurs XLR	1 paire
Niveau d'entrée maximal	3 Vrms
Impédance d'entrée	10 kΩ ou plus

## Générales

Alimentation électrique	
Modèle Europe	CA 220 – 240 V, 50/60 Hz
Modèle USA/Canada	CA 120 V, 60 Hz
Consommation électrique	
Modèle Europe et USA/Canada	56 W
Dimensions externes (L × H × P, saillies incluses)	290 × 81,2 × 264 mm
Poids	4,2 kg
Température de fonctionnement	+5 °C à +35 °C
Hygrométrie de fonctionnement	5 % – 85 % (sans condensation)
Température de stockage	–20 °C à +55 °C

FR

## Accessoires fournis

- Cordon d'alimentation × 1
- Télécommande (RC-1332) × 1
- Piles pour télécommande (AAA) × 2
- Mode d'emploi (ce document, y compris la garantie) × 1
- Pour plus d'informations sur la garantie, les utilisateurs vivant aux États-Unis et au Canada doivent consulter les pages 44–45 et le dos de la couverture (document de garantie). Les utilisateurs vivant en Europe et dans d'autres régions doivent consulter la page 45.
- Conception et caractéristiques techniques sont sujettes à modifications sans préavis.
- Le poids et les dimensions sont des valeurs approchées.
- Les illustrations de ce mode d'emploi peuvent légèrement différer des modèles de production.

# INSTRUCCIONES IMPORTANTES DE SEGURIDAD



El símbolo del rayo acabado en flecha dentro de un triángulo equilátero alerta al usuario de la presencia de un "voltaje peligroso" sin aislar dentro de la carcasa del producto que puede ser de magnitud suficiente como para constituir riesgo de descarga eléctrica para las personas.



El signo de exclamación dentro de un triángulo equilátero alerta al usuario de la presencia de importantes instrucciones de funcionamiento y mantenimiento en la literatura que acompaña al aparato.

AVISO: PARA EVITAR RIESGO DE INCENDIO O DESCARGAS ELÉCTRICAS, NO EXPONGA ESTE APARATO A LA LLUVIA NI A LA HUMEDAD.

## PRECAUCIÓN

- NO quite las carcasas externas ni deje al aire la electrónica. ¡EN EL INTERIOR NO HAY PIEZAS QUE EL USUARIO PUEDA MANIPULAR!
- SI EXPERIMENTA PROBLEMAS CON ESTE PRODUCTO, PÓNGASE EN CONTACTO CON EL ESTABLECIMIENTO DONDE ADQUIRIÓ LA UNIDAD PARA SOLICITAR SERVICIO TÉCNICO. NO UTILICE EL APARATO HASTA QUE HAYA SIDO REPARADO.
- EL USO DE CONTROLES, AJUSTES O PROCEDIMIENTOS QUE NO SEAN LOS ESPECIFICADOS EN ESTE MANUAL PUEDE CAUSAR EXPOSICIÓN A RADIACIONES PELIGROSAS.

- 1) Lea estas instrucciones.
  - 2) Conserve estas instrucciones.
  - 3) Cumpla con lo indicado en los avisos.
  - 4) Siga todas las instrucciones.
  - 5) No utilice este aparato cerca del agua.
  - 6) Límpielo solo con un trapo seco.
  - 7) No bloquee ninguna de las ranuras de ventilación. Instale este aparato de acuerdo con las instrucciones del fabricante.
  - 8) No instale este aparato cerca de fuentes de calor como radiadores, calentadores, hornos u otros aparatos (incluyendo amplificadores) que produzcan calor.
  - 9) No elimine el sistema de seguridad que supone el enchufe polarizado o con toma de tierra. Un enchufe polarizado tiene dos bornes, uno más ancho que el otro. Uno con toma de tierra tiene dos bornes iguales y una tercera lámina para la conexión a tierra. El borne ancho o la lámina se incluyen para su seguridad. Si el enchufe que venga con la unidad no encaja en su salida de corriente, haga que un electricista cambie su salida anticuada.
  - 10) Evite que el cable de corriente quede de forma que pueda ser pisado o quedar retorcido o aplastado, especialmente en los enchufes, receptáculos o en el punto en el que salen del aparato.
  - 11) Use solo accesorios / complementos especificados por el fabricante.
  - 12) Utilice este aparato solo con un soporte, trípode o bastidor especificado por el fabricante o que se venda con el propio aparato. Cuando utilice un bastidor con ruedas, tenga cuidado al mover la combinación de aparato/bastidor para evitar que vuelque y puedan producirse daños.
  - 13) Desconecte este aparato de la corriente durante las tormentas eléctricas o cuando no lo vaya a usar durante un periodo de tiempo largo.
  - 14) Dirija cualquier posible reparación solo al servicio técnico oficial. Este aparato deberá ser reparado si se ha dañado de alguna forma, como por ejemplo si el cable de corriente o el enchufe están rotos, si ha sido derramado algún líquido sobre la unidad o algún objeto ha sido introducido en ella, si ha quedado expuesto a la lluvia o la humedad, si no funciona normalmente o si ha caído al suelo en algún momento.
- Este aparato libera corriente nominal no válida para el funcionamiento a través de la toma de corriente, aún cuando el interruptor de encendido y activación (POWER o STANDBY/ON) no esté en la posición de encendido (ON).
  - El enchufe que se conecta a la red es el dispositivo de desconexión, por lo que deberá permanecer siempre en perfecto estado de uso.
  - Deberá llevar cuidado si utiliza auriculares con este producto, ya que una excesiva presión sonora (volumen) procedente de los mismos puede causar pérdidas de audición.



## PRECAUCIÓN

- No exponga este aparato a salpicaduras ni goteras.
- No coloque objetos que contengan líquidos, como por ejemplo jarrones, sobre el aparato.
- No instale este aparato en lugares cerrados tales como estanterías o similares.
- Este aparato debe situarse lo suficientemente cerca de una toma de electricidad como para poder alcanzar fácilmente el cable de corriente en cualquier momento.
- Si el producto utiliza pilas (esto incluye las pilas instaladas y los "packs" de pilas), se evitará su exposición directa al sol, al fuego o a cualquier otra fuente de calor excesivo.
- **PRECAUCIÓN** con los productos que emplean baterías de litio reemplazables: existe peligro de explosión si la batería se reemplaza por otra de tipo incorrecto. Reemplácela sólo por otra igual o de tipo equivalente.

## AVISO

Los productos con construcción de Clase **I** están equipados con un cable de alimentación que tiene conexión de tierra. El cable de estos productos deberá conectarse a una toma de corriente que tenga conexión de protección de tierra.

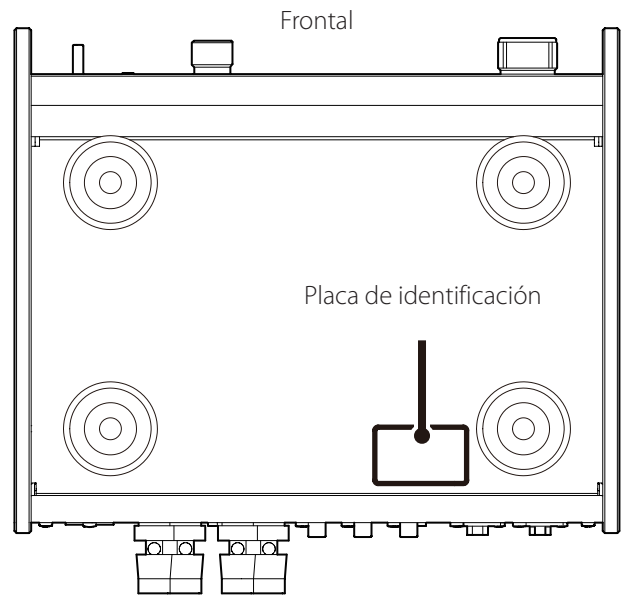
**EN EE. UU./CANADÁ, UTILICE SOLO ALIMENTACIÓN CON CORRIENTE DE 120V.**

### **⚠ Precauciones con respecto a las pilas**

Un mal uso de las pilas puede hacer que se rompan o que tengan fugas y ello causar fuego, lesiones u oxidación en los objetos cercanos. Por favor, lea y observe las siguientes precauciones cuidadosamente.

- Asegúrese de introducir las pilas siempre con la correcta orientación de los polos positivo ( $\oplus$ ) y negativo ( $\ominus$ ).
- Use pilas del mismo tipo. Nunca utilice juntas pilas de tipos diferentes.
- Si no va a utilizar el mando a distancia durante mucho tiempo (más de un mes), quite las pilas para evitar que se sulfaten y tengan fugas.
- Si las pilas presentan fugas, limpie el líquido que haya caído en el compartimento y sustituya las pilas por otras nuevas.
- No utilice pilas que no sean del tipo especificado. No mezcle pilas nuevas con viejas ni utilice juntas pilas de tipos distintos.
- No caliente ni desarme las pilas. Nunca tire pilas al fuego ni al agua.
- No transporte ni almacene pilas con otros objetos metálicos. Las pilas podrían producir cortocircuitos, perder líquido o explotar.
- Nunca recargue una pila si no está completamente seguro de que es una pila recargable.

La placa de identificación está situada en la parte inferior de la unidad como muestra la ilustración.



# INSTRUCCIONES IMPORTANTES DE SEGURIDAD (continuación)

## Modelo para EE. UU.

### Declaración de conformidad

Parte responsable:

Pioneer & Onkyo U.S.A. Corporation

Dirección: 22828 Lockness Avenue, Torrance, CA 90501 U.S.A.

Número de teléfono: 1-201-785-2600

Este dispositivo cumple con el apartado 15 de las Normas de la FCC. Su funcionamiento está sujeto a las dos siguientes condiciones: (1) este dispositivo no puede causar interferencias perjudiciales y (2) este dispositivo debe aceptar cualquier interferencia recibida, incluidas interferencias que puedan causar anomalías de funcionamiento.

### Información

Se ha comprobado que este equipo cumple con los límites establecidos para los dispositivos digitales de Clase B, de acuerdo con el apartado 15 de las Normas de la FCC. Estos límites están diseñados para proporcionar una protección razonable contra interferencias perjudiciales en instalaciones residenciales. Este equipo genera, utiliza y puede irradiar energía de radiofrecuencia y, si no se instala y se utiliza de acuerdo con las instrucciones, puede causar interferencias perjudiciales en las comunicaciones por radio. Sin embargo, no se puede garantizar que dichas interferencias no se produzcan en instalaciones particulares. Si este equipo causa interferencias perjudiciales en la recepción de radio o televisión, que se comprueban apagando y encendiendo el equipo, se recomienda al usuario que intente corregirla mediante una o varias de las siguientes medidas:

- Reoriente o recolocque el equipo y/o la antena receptora.
- Aumente la separación entre el equipo y el receptor.
- Conecte el equipo a una toma de electricidad situada en un circuito eléctrico diferente al del receptor.
- Consulte al distribuidor o solicite ayuda a un técnico de radio/TV con experiencia.

### PRECAUCIÓN

Cualquier cambio o modificación efectuada en este equipo que no haya sido expresamente aprobada por la parte responsable del cumplimiento de los requisitos exigidos podría invalidar el derecho del usuario a utilizar el equipo.



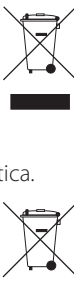
## Modelo para Europa



Este producto cumple con las exigencias de las directivas europeas y con los reglamentos de la Comisión Europea.

## Para consumidores europeos

### Deshacerse de aparatos eléctricos, electrónicos, pilas/baterías y acumuladores

- Todos los aparatos eléctricos y electrónicos, y pilas/baterías y acumuladores gastados, deben ser eliminados separados del resto de basura común y únicamente en los "puntos limpios" o bajo los procedimientos especificados por el gobierno o autoridades municipales locales.
- Con la eliminación correcta de los equipos eléctricos y electrónicos, y de pilas/baterías y acumuladores gastados, estará ayudando a conservar recursos muy valiosos y a evitar los posibles efectos negativos en la salud humana y en el medio ambiente.
- La eliminación incorrecta de los equipos eléctricos y electrónicos, y pilas/baterías y acumuladores, puede producir efectos muy dañinos en el medio ambiente y en la salud humana a causa de las sustancias peligrosas que pueden encontrarse en estos equipos.
- El símbolo de Eliminación de Aparatos Eléctricos y Electrónicos (WEEE en inglés), identificado por cubos de basura con ruedas tachados, indican que los equipos eléctricos y electrónicos, y las pilas/baterías y acumuladores, deben ser eliminados de forma totalmente independiente con respecto a la basura doméstica. Si una pila/batería o un acumulador contienen más cantidad de los valores especificados de plomo (Pb), mercurio (Hg), y/o cadmio (Cd) según está definido en la Directiva relativa a las pilas (2006/66/EC), entonces los símbolos químicos correspondientes a estos elementos estarán indicados debajo del símbolo WEEE. 
- Existen sistemas para la eliminación y recogida a disposición del usuario final. Si necesita más información sobre cómo deshacerse de aparatos eléctricos y electrónicos antiguos, así como de pilas/baterías y acumuladores, póngase en contacto con su ayuntamiento, con la correspondiente empresa del servicio de recogida de residuos o con el establecimiento donde adquirió ese aparato.

Los nombres de empresas y productos que aparecen en este documento son marcas comerciales o registradas de sus respectivos propietarios.



## Índice

Gracias por elegir TEAC.

Lea este manual atentamente para obtener el mejor rendimiento de esta unidad.

Después de leerlo, guárdelo en un lugar seguro para futuras consultas.

INSTRUCCIONES IMPORTANTES DE SEGURIDAD .....	30
Accesorios incluidos .....	33
Mantenimiento .....	33
Web global de TEAC .....	33
Antes de su utilización .....	34
Uso del mando a distancia .....	34
Conexión de los altavoces .....	35
Conexiones .....	36
Conexión de unos auriculares .....	37
Partes y funciones de la unidad principal .....	38
Partes y funciones del mando a distancia .....	39
Funcionamiento básico .....	40
Solución de problemas .....	42
Especificaciones .....	43

## Accesorios incluidos

Compruebe que la caja contiene todos los accesorios incluidos que se indican a continuación.

Por favor, póngase en contacto con el establecimiento donde adquirió esta unidad si falta cualquiera de estos accesorios o si alguno ha sufrido desperfectos durante el transporte.

**Cable de corriente × 1**

**Mando a distancia (RC-1332) × 1**

**Pilas para el mando a distancia (AAA) × 2**

**Manual del usuario (este documento, incluida la garantía) × 1**

- Los usuarios que vivan en EE. UU. y Canadá encontrarán información sobre la garantía en las páginas 44–45 y en la contraportada (documento de garantía). Los usuarios que vivan en Europa y otras áreas deben consultar la página 45.

## Mantenimiento

Limpie la cubierta y los demás paneles con un paño suave ligeramente humedecido con un líquido limpiador neutro diluido.

No utilice gamuzas ni paños impregnados con productos químicos, ni disolvente u otras sustancias químicas, ya que pueden dañar la superficie de la unidad.

**⚠ Por seguridad, desenchufe el cable de corriente de la toma de corriente antes de proceder a la limpieza.**

## Web global de TEAC

Las actualizaciones correspondientes a esta unidad se pueden descargar desde el sitio web global de TEAC:

**<http://teac-global.com/>**

En la sección de descargas (downloads) de TEAC, haga clic en el idioma que desee para abrir la página web de descargas correspondiente a dicho idioma.

## Antes de su utilización

### ⚠ Precauciones de emplazamiento

- Coloque la unidad en una ubicación estable cerca del sistema de audio con el que la vaya a utilizar.
- No instale esta unidad donde pueda calentarse. Esto incluye lugares que estén expuestos a la luz solar directa o cercanos a un radiador, calefactor, estufa o cualquier otro aparato de calefacción. Tampoco coloque esta unidad encima de un amplificador u otro equipo que genere calor. Si lo hace, la unidad podría decolorarse, deformarse o estropearse. Evite también ubicaciones sujetas a vibraciones o expuestas a excesivo polvo, frío o humedad.
- Para permitir una buena disipación del calor, deje un poco de espacio (al menos 3 cm) entre esta unidad y las paredes u otros dispositivos cuando la instale. Si se coloca en un rack, deje libres al menos 5 cm por encima de la unidad y 10 cm por detrás. Si no deja estos márgenes de seguridad, el calor podría acumularse en el interior y provocar un incendio.
- Puede apilar esta unidad con un PD-501HR, NT-505 u otras unidades de las series 501/503/505. Sin embargo, si el calor llegase a activar el circuito de protección y la salida de sonido se detuviese de repente, coloque esta unidad en la parte de arriba y con la suficiente distancia entre ella y las paredes u otros dispositivos con el fin de mejorar la disipación del calor.
- No coloque encima de esta unidad discos CD, CD-R, cintas de cassette, otros equipos de audio o cualquier objeto susceptible de calentarse, ya que podrían sufrir daños.
- No coloque ningún paño ni tela encima de la unidad ni ponga la unidad sobre una cama o una moqueta o alfombra gruesa. Si lo hace, podría causar un sobrecalentamiento a la unidad y dañarla.
- No mueva la unidad durante su utilización.
- El voltaje suministrado a la unidad deberá ser el mismo que está impreso en el panel posterior. Si tiene dudas al respecto, consulte a un electricista.
- No abra la carcasa de la unidad porque podría causar daños en los circuitos o una descarga eléctrica. En caso de que se introduzca un objeto extraño en la unidad, contacte con su distribuidor.
- Cuando desenchufe el cable de corriente de la toma de electricidad, tire siempre directamente del conector, nunca tire del cable.

## Uso del mando a distancia

### Precauciones de uso

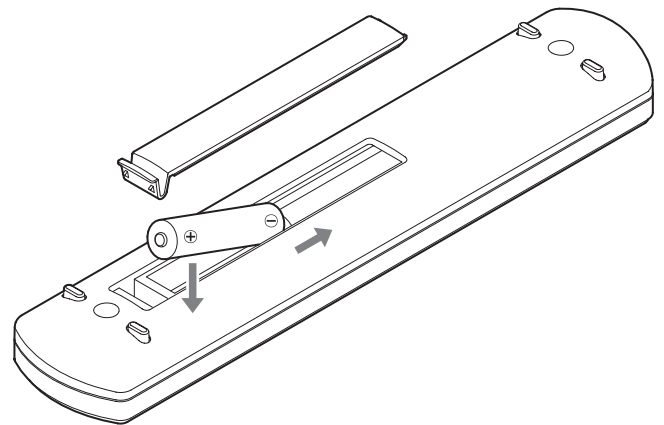


**Un mal uso de la pilas podría hacer que se rompan o se sulfaten (pierdan líquido), lo que podría originar fuego, lesiones o la oxidación de materiales cercanos. Por favor, lea atentamente y observe las instrucciones de las precauciones de la página 31.**

- Cuando utilice el mando a distancia, apunte con él hacia el receptor de la señal del mando a distancia que hay en la unidad principal, a una distancia de 5 m o menos. No coloque obstáculos entre la unidad principal y el mando a distancia.
- El mando a distancia podría no funcionar si el receptor de la señal del mando a distancia que hay en la unidad principal está expuesto a la luz solar directamente o a una luz intensa. Si esto ocurre, intente mover de sitio la unidad.
- Tenga cuidado, ya que el uso de este mando a distancia podría causar el funcionamiento involuntario de otros dispositivos que puedan ser controlados por rayos infrarrojos.

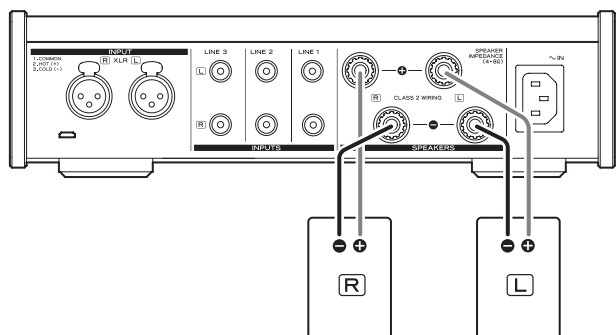
### Instalación de las pilas

Quite la tapa de la parte posterior del mando a distancia e introduzca en el compartimento dos pilas AAA con su polos  $\oplus/\ominus$  orientados como se muestra. Vuelva a colocar la tapa.



### Cuándo sustituir las pilas

Si la distancia requerida entre el mando a distancia y la unidad principal disminuye o si la unidad deja de responder a los botones del mando a distancia, cambie ambas pilas por otras nuevas. Deshágase de las pilas usadas según las instrucciones que figuren en las mismas o los requisitos establecidos por las autoridades locales.



## ⚠ Precauciones al conectar los altavoces

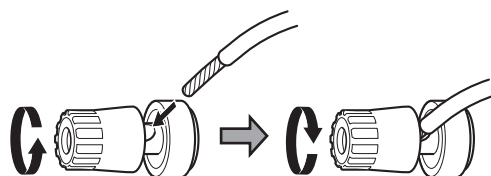
- Conecte los enchufes de los cables de corriente una vez que se hayan hecho todas las demás conexiones.
- Lea atentamente los manuales de los dispositivos que está conectando y siga sus instrucciones cuando haga las conexiones.
- Cuando las tierras izquierda y derecha estén compartidas en un subwoofer con amplificador integrado, por ejemplo, puede que el uso no sea posible dependiendo de las condiciones de conexión.

## ATENCIÓN

- Esta unidad funciona con altavoces que tengan impedancias nominales entre 4 Ω y 8 Ω. El uso de altavoces con impedancias menores a 4 Ω, en particular, podría hacer que el circuito de protección se activase y dejase de salir sonido. En algunos casos, podrían incluso dañarse la unidad y los altavoces.
- El terminal rojo de esta unidad es el positivo (⊕) y el terminal negro es el negativo (⊖). El conductor ⊕ del cable de altavoz está marcado para distinguirlo del conductor ⊖ del cable. Conecte el conductor marcado al terminal rojo ⊕ y el conductor no marcado al terminal negro ⊖.
- Si un extremo de cable pelado (es decir, con los hilos del cable al aire) de un altavoz entra en contacto con otro cable o terminal, se puede producir un cortocircuito.
- Nunca permita que los cables de altavoz causen un cortocircuito.
- Para evitar zumbidos y ruidos, evite agrupar o juntar estos cables con el cable de corriente u otros cables.

## Cómo conectar los altavoces

- 1** Quite aproximadamente 1 centímetro del aislante del extremo del cable de altavoz y retuerza el cable entrelazando los hilos conductores entre sí lo mejor posible.
- 2** Gire la cubierta del terminal en la dirección contraria a las agujas del reloj para aflojarla.
- 3** Inserte el cable en el agujero del pivote del terminal y gire la cubierta del terminal en la dirección de las agujas del reloj para afianzar la conexión.



- Conéctelo de modo que ninguna parte del aislamiento del cable esté en contacto con el terminal.

- 4** Confirme que el cable está bien sujeto tirando suavemente de él.

## Conexión con clavijas de tipo banana

También puede hacer las conexiones usando clavijas de tipo banana de las disponibles en establecimientos comerciales. Primero, conecte las clavijas de tipo banana a los cables de altavoz y después conecte dichas clavijas a los terminales.

- Mantenga siempre las cubiertas apretadas cuando los altavoces estén en uso.
- Lea atentamente las instrucciones de las clavijas de tipo banana que esté utilizando.

## ATENCIÓN

### Advertencia sobre el modelo para Europa

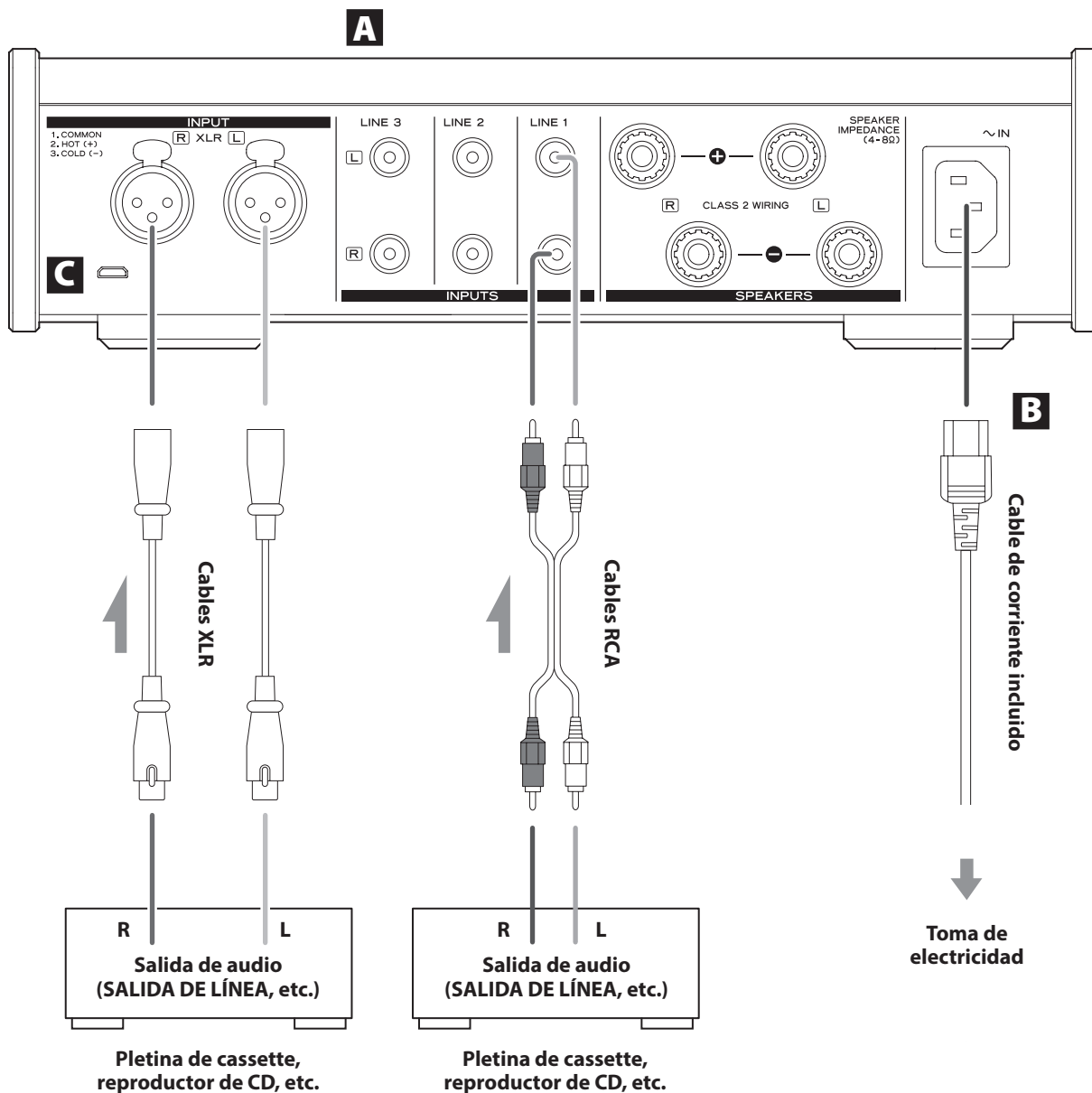
De acuerdo con las regulaciones de seguridad europeas, no está permitido la conexión de clavijas de tipo banana en los modelos para Europa.

Los orificios en los que podrían introducirse las clavijas de tipo banana están cubiertos con tapas negras.

Conecte los altavoces con cables pelados o con enganches de horquilla.

Si una tapa negra llegara a desprenderse de su terminal, vuelva a colocarla en su posición original.

# Conexiones



## A Terminales de entrada de audio analógico (LINE 1, LINE 2, LINE 3, XLR)

Utilícelos para introducir audio analógico estéreo. Conecte a estos terminales los terminales de salida de audio de una pletina de cassette, un reproductor de CD u otro equipo de salida de audio.

Conecte el terminal de entrada R (derecha) de esta unidad al terminal de salida R del dispositivo de salida de audio, y el terminal de entrada L (izquierda) de esta unidad al terminal de salida L del otro dispositivo.

- Los terminales XLR de esta unidad están configurados con el pin 2 como VIVO (positivo).

**Utilice cables de audio de los disponibles en establecimientos comerciales para las conexiones.**

- LINE1: cables RCA
- LINE2: cables RCA
- LINE3: cables RCA
- XLR: cables XLR

## **B** Entrada para el cable de corriente (~IN)

Aquí se conecta el cable de corriente suministrado. No conecte el cable de corriente a una toma de electricidad hasta que haya terminado todas las demás conexiones.

**⚠ No utilice ningún cable de corriente que no sea el incluido con esta unidad. El uso de otros cables de corriente puede ser causa de incendio o descargas eléctricas.**

**⚠ Desenchufe el cable de corriente de la toma de electricidad cuando no utilice la unidad durante un largo periodo de tiempo.**

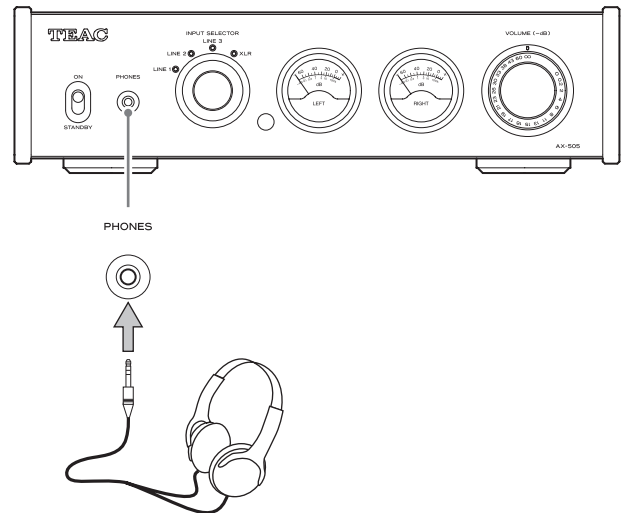
**⚠ Termine todas las conexiones antes de poner el interruptor *STANDBY/ON* en *ON* (encendido).**

- Lea atentamente los manuales de los dispositivos que está conectando y siga sus instrucciones cuando haga las conexiones.
- No agrupe los cables de las conexiones con los cables de corriente. Si lo hace, puede originarse ruido.
- Inserte todos los conectores hasta el fondo.

## **C** Puerto de mantenimiento

Se utiliza para mantenimiento. No conecte nada a este puerto a menos que reciba instrucciones para hacerlo por parte de nuestro servicio técnico.

## Conexión de unos auriculares



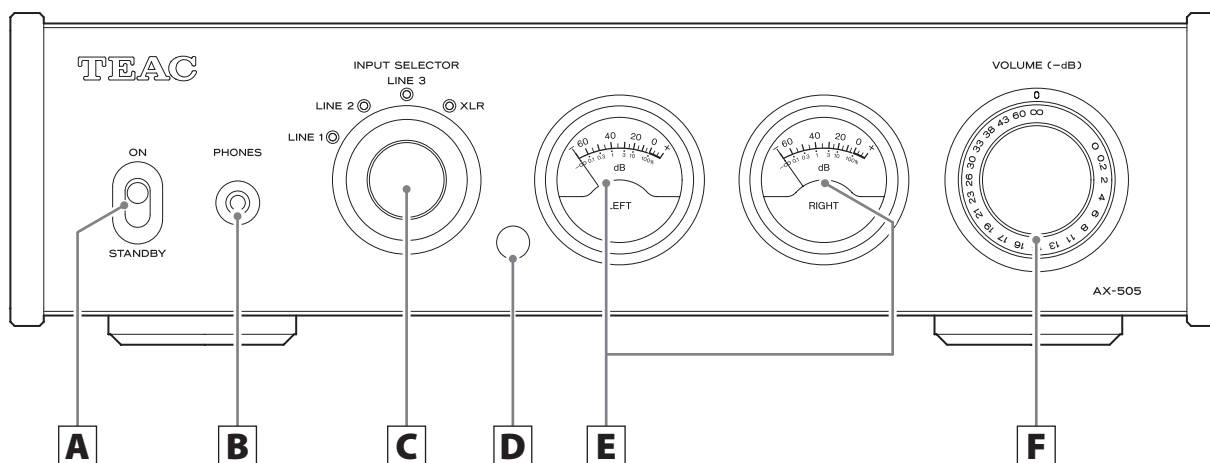
**⚠ PRECAUCIÓN**

Nunca conecte o desconecte los auriculares ni encienda o apague la unidad con los auriculares puestos.

Si lo hace, puede causar ruido repentino a alto volumen capaz de lesionar sus oídos.

**Ajuste siempre el volumen al mínimo ( $-\infty$  dB) antes de ponerse los auriculares (página 40).**

# Partes y funciones de la unidad principal



## A Interruptor STANDBY/ON

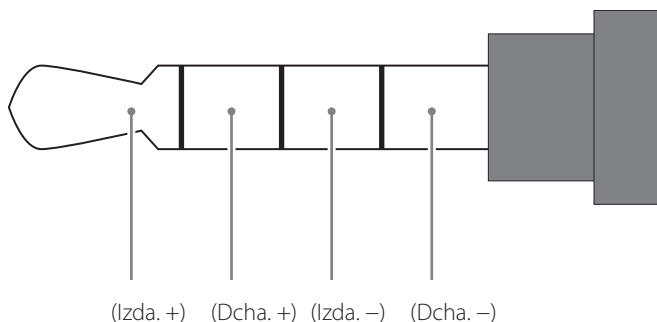
Se utiliza para poner la unidad en modo de reposo (STANDBY) o encenderla (ON).

## B Salida de auriculares PHONES

Conecte aquí unos auriculares con un minijack estéreo de 3,5 mm (página 37).

- Este circuito amplificador de auriculares utiliza un terminal de cuatro polos, con masas de tierra independientes para el canal izquierdo y el derecho. Se pueden utilizar jacks normales con 3 o 4 polos.
- Cuando hay unos auriculares conectados a esta unidad, el sonido sale por la salida de auriculares (PHONES) pero no sale por los terminales de altavoces (SPEAKERS) situados en la parte trasera de la unidad.

### Ilustración del cableado



## C Mando INPUT SELECTOR

Se utiliza para seleccionar la fuente de entrada. Se iluminará el indicador de la fuente seleccionada.

## D Receptor de señal del mando a distancia

Recibe las señales del mando a distancia. Cuando utilice el mando a distancia, apunte con él hacia este receptor de señal.

## E Medidores de nivel

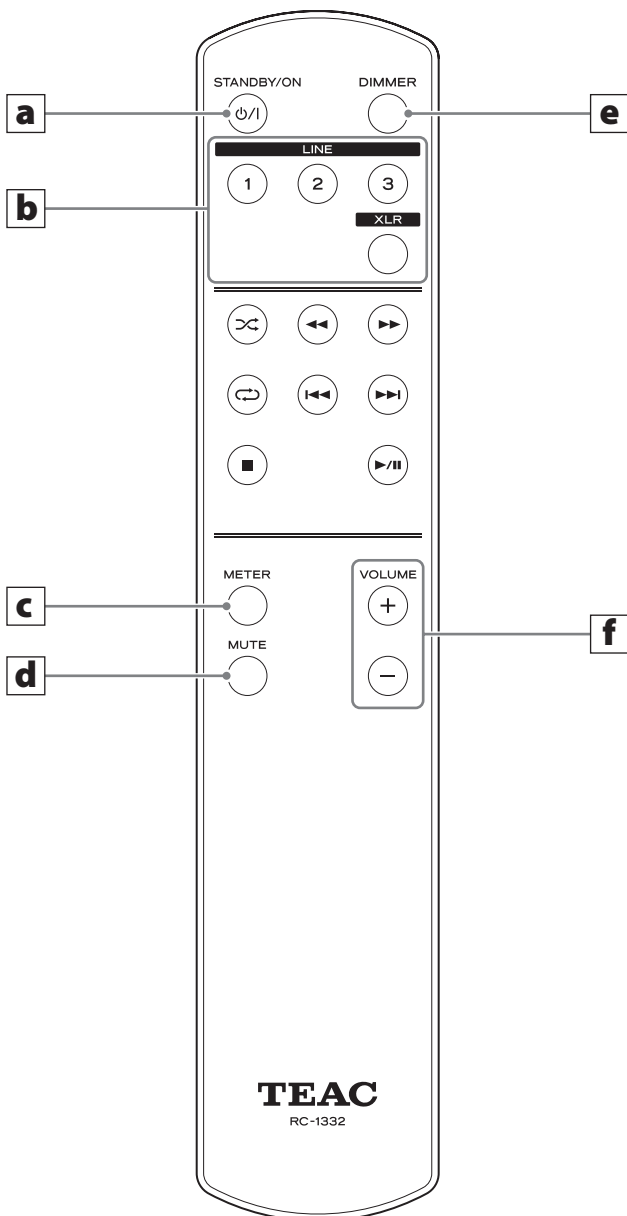
Muestran los niveles de salida.

## F Mando VOLUME

Se utiliza para ajustar el volumen. Gírelo a la derecha para aumentar el volumen y hacia la izquierda para disminuirlo.

El nivel de volumen máximo es 0 y el mínimo  $-\infty$  (infinito negativo). Antes de poner el interruptor STANDBY/ON en ON (encendido), baje el mando VOLUME al mínimo ( $-\infty$ ). Si no lo hace, podría causar ruido repentino a alto volumen capaz de originar daños a los altavoces y a sus oídos.

# Partes y funciones del mando a distancia



## **a** Botón STANDBY/ON

Púlselo para poner la unidad en modo de reposo (STANDBY) o encenderla (ON).

## **b** Botones de selección de entrada

Se utilizan para seleccionar la fuente de reproducción.

## **c** Botón METER

Púlselo para cambiar el funcionamiento de los medidores de nivel.

## **d** Botón MUTE

Pulse este botón para silenciar el sonido temporalmente. Púlselo otra vez para cancelar el silenciamiento (página 41). Púlselo y manténgalo pulsado para restablecer la unidad a sus ajustes predeterminados de fábrica (página 41).

## **e** Botón DIMMER

Se utiliza para cambiar el brillo de los indicadores de las fuentes de entrada y de los medidores de nivel. Púlselo para recorrer cíclicamente los ajustes de brillo en el orden siguiente:

Indicadores brillantes, medidores brillantes



Indicadores medios, medidores medios



Indicadores atenuados, medidores atenuados



Indicadores atenuados, medidores apagados

## **f** Botones VOLUME (+/-)

Se utilizan para ajustar el volumen. Mantenga pulsado uno de los botones VOLUME para cambiar el volumen de manera continuada.

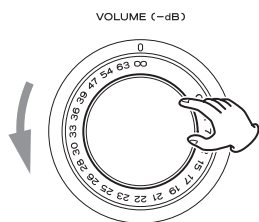
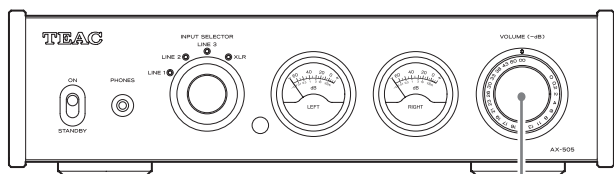
El mando a distancia RC-1332 suministrado con el AX-505 puede controlar tanto el AX-505 como el PD-501HR. En este documento se explican solo los botones utilizados para el AX-505.

Cuando la unidad principal y el mando a distancia tengan botones con las mismas funciones, este manual explica cómo utilizar uno de ellos. El otro botón correspondiente puede utilizarse de la misma manera.

# Funcionamiento básico

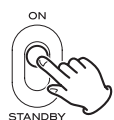
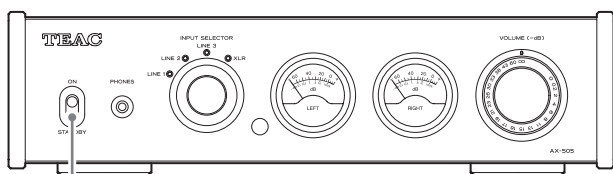
## 1 Ponga el volumen al mínimo.

Utilice el mando VOLUME o los botones VOLUME del mando a distancia para poner el volumen al mínimo.



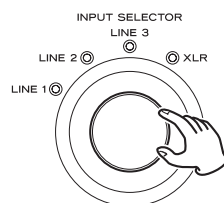
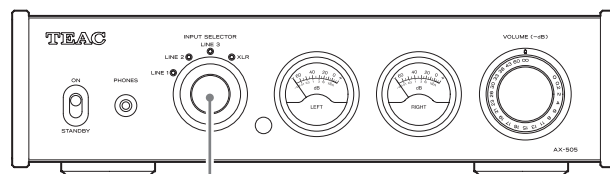
-∞ dB: volumen mínimo  
0 dB: volumen máximo

## 2 Ponga el interruptor STANDBY/ON en ON (encendido).



Los indicadores de las fuentes de entrada parpadearán y la función de silenciamiento (mute) se activará. Cuando el funcionamiento del amplificador se estabilice, los indicadores se iluminarán y la función de silenciamiento se desactivará.

## 3 Gire el mando INPUT SELECTOR para seleccionar la fuente de entrada.

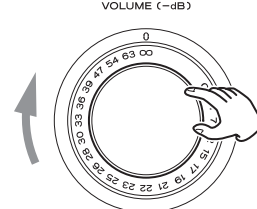
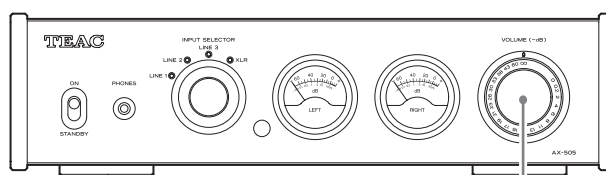


Se iluminará el indicador de la fuente seleccionada.

## 4 Ponga en marcha el dispositivo de reproducción.

Consulte el manual de instrucciones de dicho dispositivo.

## 5 Ajuste el volumen.



-∞ dB: volumen mínimo  
0 dB: volumen máximo

Comience la reproducción en el dispositivo fuente y utilice el mando VOLUME o los botones VOLUME del mando a distancia para ajustar el volumen a su nivel óptimo.



## Función de ahorro de energía automático

Esta unidad tiene una función de ahorro de energía automático. Si la función de ahorro de energía automático está activada, la unidad automáticamente entrará en modo de reposo si no hay ninguna entrada de audio durante aproximadamente 30 minutos.

El ajuste de la función de ahorro de energía automático puede comprobarse mirando los indicadores de las fuentes de entrada inmediatamente después de encenderse la unidad.

Función de ahorro de energía automático activada:

Un indicador de fuente de entrada parpadeará cada dos segundos.

Función de ahorro de energía automático desactivada:

Después de que todos los indicadores de las fuentes de entrada se iluminen durante dos segundos, un indicador de fuente de entrada parpadeará cada dos segundos.

## Activar y desactivar la función de ahorro de energía automático

**1** Pulse el botón **STANDBY/ON** del mando a distancia para poner la unidad en reposo (**STANDBY**).

**2** Pulse y mantenga pulsado el botón **STANDBY/ON** del mando a distancia durante tres segundos.

La unidad se encenderá, todos los indicadores de las fuentes de entrada parpadearán y el ajuste de activación/desactivación cambiará.

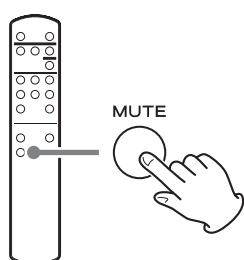


## Silenciar la reproducción

Si desea silenciar temporalmente el volumen de esta unidad, pulse el botón **MUTE** del mando a distancia.

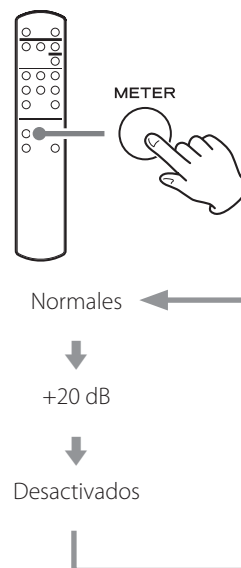
- Los indicadores de las fuentes de entrada parpadean cuando se silencia la reproducción.

Pulse el botón **MUTE** del mando a distancia otra vez para cancelar el silenciamiento.



## Cambiar el funcionamiento de los medidores de nivel

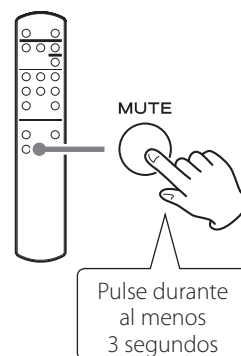
Pulse el botón **METER** del mando a distancia para recorrer cíclicamente los ajustes de funcionamiento de los medidores de nivel.



- Cuando el ajuste de funcionamiento de los medidores de nivel sea +20 dB, el movimiento de las agujas será mayor de lo habitual.

## Restablecer los ajustes predeterminados

Después de poner el volumen al mínimo, pulse y mantenga pulsado el botón **MUTE** del mando a distancia durante al menos 3 segundos. Los ajustes predeterminados se restablecerán después de que los indicadores de las fuentes de entrada y los medidores de nivel parpadeen y la unidad se reinicie.



# Solución de problemas

Si tiene un problema con esta unidad, por favor dedique un momento a revisar la información que le proporcionamos a continuación antes de solicitar servicio técnico. Si aun así no funciona correctamente, póngase en contacto con el distribuidor donde compró la unidad.

## General

### La unidad no se enciende.

- ➔ Compruebe que el cable de corriente está bien conectado en la toma de electricidad. Si la toma de electricidad tiene un interruptor, confirme que este se encuentra en la posición de activado.
- ➔ Conecte un dispositivo eléctrico diferente en la toma de electricidad para confirmar que suministra corriente.

### No sale sonido.

- ➔ Ajuste el mando VOLUME. Gírelo hacia la derecha (en la dirección de las agujas del reloj) para subir el volumen (página 38).
- ➔ Utilice el mando INPUT SELECTOR para seleccionar la entrada que esté conectada a la fuente que desee escuchar (página 40).
- ➔ Reconfirme las conexiones con los demás componentes del equipo.

### El mando a distancia no funciona.

- ➔ Ponga el interruptor STANDBY/ON de la unidad principal en ON (encendido) antes de utilizar el mando a distancia.
- ➔ Si las pilas están gastadas, cambie ambas por otras nuevas.
- ➔ El mando a distancia no funcionará si hay algún obstáculo entre él y la unidad principal.  
Apunte con el mando a distancia hacia el centro del receptor de señales del mando distancia de la unidad desde una distancia inferior a 5 m.

### Un televisor u otro dispositivo responden por error.

- ➔ Algunas televisiones capaces de recibir señales de mandos a distancia inalámbricos podrían responder por error al operar con el mando a distancia de esta unidad.  
Si se da el caso, apague dichos dispositivos cuando utilice este mando a distancia.

### Se produce ruido.

- ➔ Aleje la unidad lo más posible de televisiones, hornos microondas y otros aparatos con fuerte magnetismo.

### Hay un ruido o zumbido.

- ➔ Si hay un cable de conexión cerca de un cable de corriente, de un fluorescente o de otra causa de interferencias similar, aumente la distancia entre ellos tanto como sea posible.

### No se oye sonido por un lado de los auriculares.

- ➔ Compruebe que el jack de los auriculares está bien insertado hasta el fondo.

### Las luces de los medidores de nivel están parpadeando y no sale ningún sonido.

- ➔ Los cables de altavoz ⊕ y ⊖ podrían haberse cortocircuitado. Ponga el interruptor STANDBY/ON en STANDBY (reposo) y compruebe las conexiones de los altavoces.

### Deja de salir sonido de repente y las luces de los medidores de nivel están parpadeando.

- ➔ Puede que se haya activado el circuito de protección debido a alta temperatura, exceso de carga u otra causa. Ponga el interruptor STANDBY/ON en STANDBY (reposo), compruebe las conexiones de alimentación y de los altavoces, y espere varios minutos antes de ponerlo en ON (encendido) otra vez.  
Si esta unidad se calienta, aumente la cantidad de espacio entre ella y las paredes y otros dispositivos para incrementar la disipación de calor.

### El ahorro de energía automático ha causado que la unidad entre en reposo.

- ➔ Ponga el interruptor STANDBY/ON en STANDBY (reposo) y a continuación vuelva a ponerlo en ON (encendido).

## Amplificador

Potencia de salida nominal	115 W + 115 W (4 Ω, 1 kHz, THD 0,8 %)
	70 W + 70 W (8 Ω, 1 kHz, THD 0,8 %)
Impedancia de altavoces admitida	4–8 Ω
Distorsión armónica total	0,002 % (8 Ω, 1 kHz, 1 W, JEITA)
Relación señal/ruido (corto en entrada)	
LINE IN	110 dB (8 Ω, 1 kHz, IHF-A)
Respuesta de frecuencias	10 Hz – 50 kHz (–5 dB) (8 Ω, 1 kHz, 1 W, JEITA)

## Salida de auriculares

Terminal	Minijack estéreo de 4 polos, 3,5 mm
Nivel de salida máximo	360 mW + 360 mW (con carga de 32 Ω, THD 10 %, JEITA)
Respuesta de frecuencias	5 Hz – 150 kHz (–3 dB)
Distorsión	0,003 % (potencia de salida de 30 mW con carga de 32 Ω, JEITA)
Relación señal/ruido	115 dB
Rango de impedancia compatible	16–600 Ω

## Entradas analógicas

Terminales LINE	3 pares
Nivel de entrada máximo	2,5 Vrms
Impedancia de entrada	10 kΩ o más
Terminales XLR	1 par
Nivel de entrada máximo	3 Vrms
Impedancia de entrada	10 kΩ o más

## General

Alimentación	
Modelo para Europa	CA 220–240 V, 50/60 Hz
Modelo para EE. UU./Canadá	CA 120 V, 60 Hz
Consumo de corriente	
Modelos para Europa y EE. UU./Canadá	56 W
Dimensiones externas (ancho × alto × profundo, salientes incluidos)	290 × 81,2 × 264 mm
Peso	4,2 kg
Margen de temperatura de funcionamiento	de +5 °C a +35 °C
Margen de humedad de funcionamiento	5 % – 85 % (sin condensación)
Margen de temperatura de almacenamiento	de –20 °C a +55 °C

## Accesorios incluidos

- Cable de corriente × 1
- Mando a distancia (RC-1332) × 1
- Pilas para el mando a distancia (AAA) × 2
- Manual del usuario (este documento, incluida la garantía) × 1
- Los usuarios que vivan en EE. UU. y Canadá encontrarán información sobre la garantía en las páginas 44–45 y en la contraportada (documento de garantía). Los usuarios que vivan en Europa y otras áreas deben consultar la página 45.
- El diseño y las especificaciones están sujetos a cambios sin previo aviso.
- El peso y las dimensiones son aproximados.
- Las ilustraciones de este manual pueden diferir ligeramente de los modelos de producción.

# WARRANTY/GARANTIE/GARANTÍA

## Warranty provisions (United States and Canada only)

### Length of Warranty

The parts and labor warranty will be effective for one (1) year from the date of the original purchase for products not used for commercial purposes. For products used commercially, the warranty is ninety (90) days for magnetic heads and optical pickups, one (1) year for all other parts and ninety (90) days for labor.

### Who Is Covered Under This Warranty

This warranty is valid only in the United States or Canada, dependent upon the country in which original purchase was made, and enforceable only by the original purchaser within the country in which the purchase was made.

This warranty is not valid if the product was purchased through an unauthorized dealer.

### What Is Not Covered Under This Warranty

- Damage to or deterioration of the external cabinet.
- Damage resulting from accident, misuse, abuse, or neglect.
- Damage resulting from failure to follow instructions contained in the products owners' manual or otherwise provided with the product.
- Damage occurring during shipment of the product (Claims must be presented to the carrier).
- Damage resulting from the repair or attempted repair by anyone other than TEAC or an authorized TEAC service station.
- Damage resulting from modification or attempted modification of product not authorized by TEAC.
- Damage resulting from causes other than product defects, including lack of technical skills, competence, or experience of the user.
- Damage to any unit that has been altered or which the serial number has been defaced, modified or removed.

### What TEAC Will Pay For

TEAC will pay all labor and material expenses for items covered by the warranty. Payment of shipping charges is covered in the next section.

### How To Obtain Warranty Service

Your unit must be serviced by an authorized TEAC service station within the country in which the product was purchased. If you are unable to locate an authorized service station in your area, please contact TEAC at the applicable address shown at the end of this warranty statement. PLEASE DO NOT RETURN YOUR UNIT TO TEAC WITHOUT OUR PRIOR AUTHORIZATION. You must pay shipping charges if it is necessary to ship the product for service. However, if the necessary repairs are covered by warranty, we will pay the return shipping charges to any destination within the country in which the product was purchased. Whenever warranty service is required, you must present the original dated sales receipt, or other proof indicating the purchase place and date, as proof of warranty coverage.

### LIMITATION OF IMPLIED WARRANTIES

ALL IMPLIED WARRANTIES, INCLUDING WARRANTIES OF MERCHANTABILITY AND FITNESS FOR A PARTICULAR PURPOSE, ARE LIMITED IN DURATION TO THE LENGTH OF THIS WARRANTY.

### EXCLUSION OF DAMAGES

TEAC'S LIABILITY FOR ANY DEFECTIVE PRODUCT IS LIMITED TO REPAIR OR REPLACEMENT OF THE PRODUCT, AT TEAC'S OPTION. TEAC SHALL NOT BE LIABLE FOR DAMAGE BASED UPON INCONVENIENCE, LOSS OF USE OF THE PRODUCT, INTERRUPTED OPERATION, COMMERCIAL LOSS OR LOST PROFITS, OR ANY OTHER DAMAGES, WHETHER INCIDENTAL, CONSEQUENTIAL, PUNITIVE OR OTHERWISE.

SOME STATES OR PROVINCES DO NOT ALLOW LIMITATIONS ON HOW LONG AN IMPLIED WARRANTY LASTS AND/OR DO NOT ALLOW THE EXCLUSION OR LIMITATION OF INCIDENTAL OR CONSEQUENTIAL DAMAGES, SO THE ABOVE LIMITATIONS AND EXCLUSIONS MAY NOT APPLY TO YOU.

THIS WARRANTY GIVES YOU SPECIFIC RIGHTS, AND MAY VARY FROM SOME OF THE RIGHTS PROVIDED BY LAW. THESE RIGHTS MAY VARY FROM STATE TO STATE OR PROVINCE TO PROVINCE.

## Conditions de garantie (États-Unis et Canada uniquement)

### Durée de la garantie

La garantie pièces et main d'oeuvre sera valable un (1) an à compter de la date d'achat initial des produits non utilisés dans un but commercial. Pour les produits à utilisation commerciale, la garantie des têtes magnétiques et capteurs optiques est de quatre-vingt dix (90) jours, elle est d'un (1) an pour les autres pièces et quatre-vingt dix (90) jours pour la main d'oeuvre.

### Bénéficiaire de la garantie

Cette garantie n'est valable qu'aux États-Unis et au Canada, selon le pays d'achat initial, et ne s'applique qu'à l'acquéreur initial dans le pays d'achat. Cette garantie n'est pas valable si le produit a été acheté auprès d'un revendeur non autorisé.

### Ce qui n'est pas couvert par cette garantie

- Les dommages ou détériorations du boîtier externe.
- Les dommages résultant d'un accident, d'une mauvaise utilisation, d'un abus ou d'une négligence.
- Les dommages résultant du non-respect des instructions contenues dans le mode d'emploi du produit ou fournies avec le produit.
- Les dommages survenus durant le transport du produit (les réclamations doivent être adressées au transporteur).
- Les dommages résultant d'une réparation ou tentative de réparation effectuée par toute personne extérieure au service après-vente TEAC ou agréé par TEAC.
- Les dommages résultant d'une modification ou tentative de modification de produit non autorisée par TEAC.

- Les dommages résultant de causes autres que des défauts de produit, y compris le manque d'aptitude technique, de compétence ou d'expérience de l'utilisateur.
- Les dommages de toute unité ayant été modifiée ou dont le numéro de série a été effacé, modifié ou retiré.

### Frais pris en charge par TEAC

TEAC prendra en charge tous les frais de pièces et main d'oeuvre pour les articles couverts par la garantie. Les frais d'expédition sont évoqués dans la section suivante.

### Comment obtenir une intervention sous garantie

Votre unité doit être réparée par un service après-vente agréé par TEAC dans le pays d'achat du produit. Si vous ne trouvez pas de service après-vente agréé dans votre région, veuillez contacter TEAC à l'adresse appropriée donnée à la fin de cette garantie. VEUILLEZ NE PAS RENVOYER VOTRE UNITÉ CHEZ TEAC SANS NOTRE AUTORISATION PRÉALABLE. Si le produit doit être renvoyé pour réparation, les frais d'expédition sont à votre charge. Toutefois, si les réparations nécessaires sont couvertes par la garantie, nous prendrons à notre charge les frais de retour vers toute destination dans le pays d'achat du produit. Lorsqu'une réparation sous garantie est requise, vous devez présenter comme preuve de couverture par la garantie la facture d'achat originale datée ou une autre preuve d'achat mentionnant le lieu et la date d'achat.

### LIMITATION DES GARANTIES IMPLICITES

TOUTES LES GARANTIES IMPLICITES, Y COMPRIS LES GARANTIES DE QUALITÉ MARCHANDE ET D'ADÉQUATION À UN USAGE PARTICULIER, SONT LIMITÉES À LA DURÉE DE CETTE GARANTIE.

### EXCLUSION DE DOMMAGES

LA RESPONSABILITÉ DE TEAC VIS-À-VIS DE TOUT PRODUIT DÉFECTUEUX EST LIMITÉE À LA RÉPARATION OU AU REMPLACEMENT DU PRODUIT, AU GRÉ DE TEAC. TEAC NE POURRA ÊTRE TENU POUR RESPONSABLE DE QUELCONQUES DOMMAGES SE RAPPORTANT AU DÉRANGEMENT, À LA PERTE D'USAGE DU PRODUIT, À L'INTERRUPTION DE L'UTILISATION, AUX PERTES COMMERCIALES OU DE PROFITS, NI D'AUCUN AUTRE DOMMAGE, QU'IL SOIT ACCESSOIRE, INDIRECT, PUNITIF OU AUTRE.

CERTAINS ÉTATS OU PROVINCES N'AUTORISENT PAS DE LIMITATIONS DE DURÉE D'UNE GARANTIE IMPLICITE ET/OU N'AUTORISENT PAS L'EXCLUSION OU LA LIMITATION DES DOMMAGES ACCESSOIRES OU INDIRECTS, AUQUEL CAS LES LIMITATIONS ET EXCLUSIONS CI-DESSUS PEUVENT NE PAS VOUS ÊTRE APPLICABLES.

CETTE GARANTIE VOUS DONNE DES DROITS SPÉCIFIQUES QUI PEUVENT ÊTRE DIFFÉRENTS DE CERTAINS DROITS OCTROYÉS PAR LA LOI. CES DROITS PEUVENT VARIER D'UN ÉTAT À L'AUTRE OU D'UNE PROVINCE À L'AUTRE.

## Europe/Europa

This product is subject to the legal warranty regulations of the country of purchase. In case of a defect or a problem, please contact the dealer where you bought the product.

Ce produit est sujet aux réglementations concernant la garantie légale dans le pays d'achat. En cas de défaut ou de problème, veuillez contacter le revendeur chez qui vous avez acheté le produit.

Las condiciones de garantía de este aparato están sujetas a las disposiciones legales sobre garantía del país en el que ha sido adquirido. En caso de garantía, debe dirigirse al establecimiento donde adquirió el aparato.

## In countries/regions other than the USA, Canada and Europe

This warranty gives you specific legal rights, and you may also have other rights that vary by country, state or province.

If you have a warranty claim or request, please contact the dealer where you bought the product.

该保证书赋予了顾客特定的合法权利，并且因国家，州或省等地域的不同，顾客可能拥有其他权利。如需申请或要求保修，请与购买本产品的销售店进行联系。





**WARRANTY/GARANTIE (United States and Canada only/États-Unis et Canada uniquement)**

Model/Modèle : **AX-505**

Serial No./N° de série

Owner's address/Adresse du propriétaire

---

Date of purchase/Date de l'achat

Dealer's name/Nom du détaillant

---

Owner's name/Nom du propriétaire

Dealer's address/Adresse du détaillant

---

---

# TEAC

---

**Japan:** 1-47 Ochiai, Tama-shi, Tokyo 206-8530, Japan  
TEAC CORPORATION Phone: +81-42-356-9156

---

**USA/Latin America:** 18 Park Way, Upper Saddle River, NJ 07458, U.S.A.  
Onkyo U.S.A. Corporation Phone: +1-201-785-2600

---

**Canada:** 10410 Pioneer Blvd., Unit #1 and #4, Santa Fe Springs, CA 90640, U.S.A.  
TEAC AMERICA, INC. Phone: +1-323-726-0303

---

**Europe:** Gutenbergstr. 3, 82178 Puchheim, Germany  
TEAC AUDIO EUROPE Phone: +49-8142-4208-141

---

This product has a serial number located on the rear panel. Please write it here and retain this for your records.

Model name: AX-505      Serial number: \_\_\_\_\_