

USB DAC/network player

NT-505-X



Image is temporary.

Dual monaural USB DAC/Network Player with ESS Technology ES9038 DAC, newly used, supporting 22.5MHz DSD and 768kHz/32-bit PCM formats

Main functions

- Dual mono structure with one ESS Technology ES9038Q2M converter each for the left and right channels
 - Hi-Res audio playback supporting 22.5MHz and PCM 768kHz/32-bit PCM
 - Supports TIDAL, Qobuz and subscription music streaming services
 - Roon Ready
 - MQA decoder (for network streaming)
 - Up-conversion up to 24.5MHz DSD and 384kHz/32-bit PCM
 - DSD128 (5.6MHz) and PCM 192kHz/24-bit Network streaming from NAS/PC
 - Bluetooth® receiver supporting LDAC™ and Qualcomm® aptX™ HD
 - Fully balanced analog volume circuit with TEAC-QVCS high precision volume control
 - Original TEAC-HCLD2 enhanced-current output buffer circuit
 - Newly-developed “Stressless Foot” design with three support points
 - Semi-floating design top panel
 - 3.5mm 4-pole headphone jack supports separate grounding
 - Bulk Pet USB transferring technology with four transfer modes for various sound characters (*)
 - Free TEAC HR Audio Player for Windows/Mac
- (*) “Bulk Pet” is a registered trademark of Interface Corporation.



B (Black)



S (Silver)

Brand	TEAC	
Series	Reference 505	
Model	NT-505-X/B	NT-505-X/S
Color	Black	Silver
POS Code <EAN> <UPC>	4907034223756 43774035144	4907034223763 43774035151
Product Dimensions (WxHxD) /Weight	290 x 84.5 x 248.7 mm / 4.1kg 11.4" x 3.3" x 9.8" / 9.0lbs	

■ Product overview

The NT-505-X is a flagship dual monaural USB DAC with versatile network playback capabilities. It successfully incorporates the latest network technologies, along with TEAC's decades of accumulated audio design experience, in an attractive package with an A4-sized footprint. The dual mono structure processes stereo signals with higher purity, and the D/A converter section uses one ES9038Q2M (made by ESS Technology) in each of the left and right channels. This model achieves a high signal-to-noise ratio by using each DAC in mono mode. Moreover, when used as a USB DAC, its high specifications enable native playback of 22.5MHz DSD and 768kHz/32-bit PCM formats. The Analog section, which is one of the keys to sound quality, includes four TEAC-HCLD2 buffer amp circuits that allow different drive modes, - fully-balanced drive for balanced output, and parallel drive mode for unbalanced output - to achieve enhanced acoustic expression.

On the network audio side, the NT-505-X supports high-quality music subscription services, namely TIDAL and Qobuz, and is Roon Ready. There's also a built-in MQA decoder, and you will enjoy unlimited music content on the Internet thanks to its high-quality digital and Analog processing technologies.

Furthermore, you can also enjoy wireless playback from smart devices with high audio quality thanks to the high performance specifications of the DAC.

Even more advanced DAC section with dual mono structure

- **ESS Technology ES9038 Q2M high-performance DAC supports resolutions up to 24.5MHz DSD and 768kHz/32-bit PCM**

We have employed one DAC chip, a crucial component for digital audio, in each of the stereo channels. The ESS Technology ES9038Q2M SABRE³² Reference DAC we use has a strong reputation in the high-end audio market. Using 32-bit HyperStream® II DAC architecture and Time Domain Jitter Eliminator (both of which are ESS original technologies), an outstanding dynamic range is realized, and linearity is increased in the D/A conversion. As a result, clear and accurate audio playback with superior dynamic characteristics has been made possible.

- **Dual monaural circuit design and fully-balanced design**

A dual monaural circuit configuration is used throughout, from the power supply (including power transformers), to the D/A converters in the digital section and the Analog output stage. From the high-performance D/A converters to the massive toroidal-core power transformers, each element is configured for single channel processing. This prevents mutual interference effects while reproducing a rich acoustic expressiveness. In addition, the Analog audio signals of both the left and right channels are processed in full balanced mode soon after the D/A converters all the way to the output terminal, contributing to an improved S/N ratio and extended dynamic range.

This allows the fantastic sense of air that Hi-Res formats possess to be processed and conveyed without any losses.

- **TIDAL and Qobuz support along with Roon Ready network playback functions**

By connecting the unit to a home network using a LAN cable, music files saved on NAS music servers and computers can be accessed and played back. In addition, this unit also supports the TIDAL and Qobuz subscription Internet music streaming services. These enable listening to tens of millions of lossless CD-quality (44.1kHz/16-bit) music tracks.



- **MQA decoder for master quality streaming**

In order to achieve an Analog waveform closer to the original signal, the NT-505-X supports MQA decoding while also supporting high sampling rate Hi-Res formats like DSD512 (22.5MHz) and PCM32-bit/768. The MQA decoder is a totally new technology that controls Analog waveforms with excellent precision (as fine as 5 microseconds) and it reproduces sound in a manner that is perceived to be as close as possible to the original (to human hearing).

Furthermore, a high-efficiency compression algorithm makes huge Hi-Res audio files compact in size, so you will be able to enjoy Hi-Res audio sources regardless of the speed of your Internet connection.



- **High-quality wireless audio streaming via Bluetooth®**

In addition to conventional SBC and AAC codecs, the NT-505-X also supports LDAC™ (24-bit/96kHz Hi-Res audio transmission), and Qualcomm® aptX™ HD, a codec that uses 24-bit/48kHz format transmission. These allow you to playback playlists on your smartphone and tablet wirelessly.



- **Hi-Res audio playback from USB flash drive**

The USB port on the front panel allows you to playback Hi-Res audio formats including DSD128 (5.6MHz) and PCM 24-bit/192kHz.

- **Dual onboard clocks for 44.1k and 48kHz, and an external clock input**

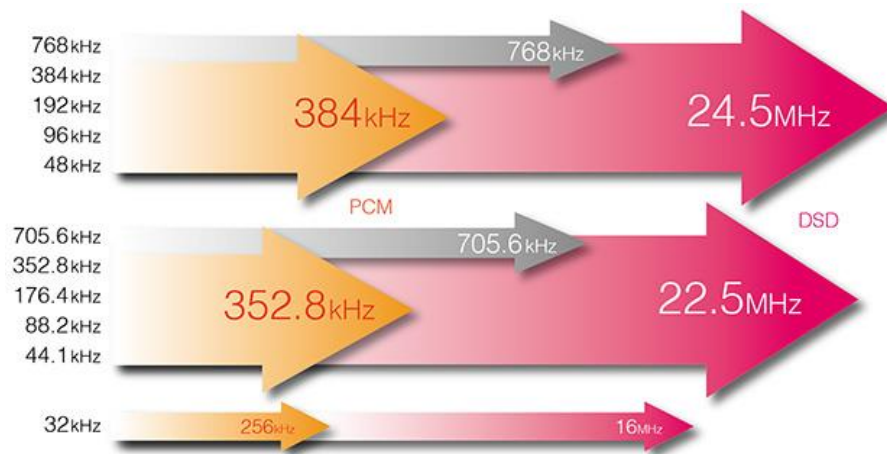
Instead of referencing to an unstable and noisy PC clock during USB audio playback, a more accurate and on-board clock is generated by a high-precision, low phase-noise, audio-grade crystal oscillator for USB asynchronous transfer mode. The NT-505-X accommodates two on-board clocks exclusively for 44.1kHz and 48kHz sampling frequencies and applies the appropriate one to incoming digital signals - those that are multiples of 44.1k or 48k - to reproduce identical sound to the original by eliminating jitter effects on the audio signal.



In addition, an external 10MHz clock input is also provided, to synchronize with an even higher-precision master clock generator, such as the TEAC CG-10M/CG-10M-A, for yet further upgraded audio playback with excellent sound quality.

- **Up-conversion up to 384kHz/32-bit PCM and 24.5MHz DSD**

Employing RDOT-NEO (Refined Digital Output Technology NEO), a fluency algorithm that renders digital audio signals smoothly, the NT-505-X up-converts PCM digital signals up to 384kHz/32-bit PCM and 24.5MHz DSD. With the up-conversion function activated, you will hear an improvement in quality, even with music that you are familiar with.



- **"Bulk Pet" USB transfer technology for enhanced audio quality**

When transferring large volumes of digital data for Hi-Res audio sources through USB cables using conventional isochronous transfer mode, large variations can occur in the processing loads of the sending computer and the receiving USB DAC.

This can cause sound to drop out and other problems to occur. However, with our new USB transmission technology - dubbed "Bulk Pet" - a fixed amount of data is transmitted constantly, levelling out the processing burden on both devices and contributing to stable data transmission. Changing the processing burden on the computer directly affects audio quality so users can select the setting they prefer (from four transmission modes).

"Bulk Pet" is a registered trademark of Interface Corporation.
For more information about "Bulk Pet", please visit the Interface Corporation website.
https://www.itf.co.jp/prod/audio_solution/bulk-pet/bulk-pet-en



- **7 types of PCM digital filters**

There are seven types of PCM digital filters, allowing you to apply the filter that best matches the file format or type of music you're listening to. The filter can be changed at the touch of a button on the remote control, allowing you to enjoy the different sonic nuances of each filter.

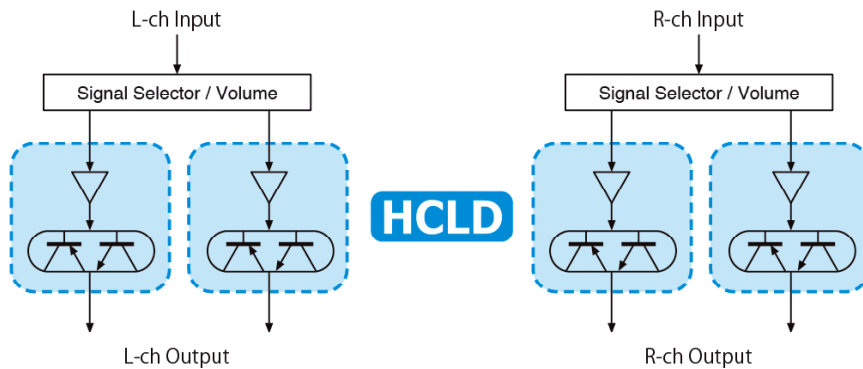
- **Dual high-capacity toroidal-core power transformers**

The dual monaural theme continues. Two over-sized high-capacity toroidal-core power transformers are employed in the NT-505-X, supplying stable, individual current sources for each of the left and right channels. This means neither channel will be affected by changes in the power consumption of the other during digital processing.



Analog output circuits have been further refined

- **Improved TEAC-HCLD2 enhanced-current output buffer amp circuit**



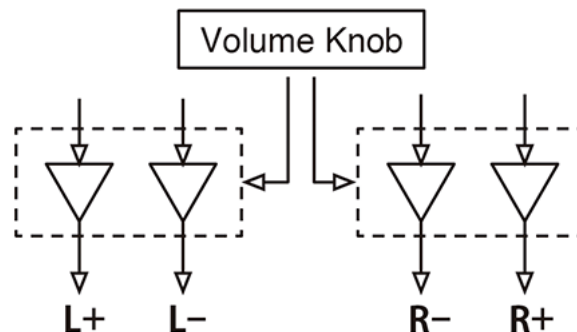
We employed the TEAC-HCLD 2 for the analog output circuit. This is a further improved version of the TEAC-HCLD circuit enhanced-current output buffer amp that increases crucial current output capacity (HCLD: High Current Line Driver). This model now uses line buffer ICs with extremely high current output capacity. By using a positive-negative two-circuit structure for each channel, drive can be differential with balanced output and parallel with unbalanced output. Transmitting audio signals without degrading their dynamism becomes possible with increased current supply capacity.

- **TEAC-QVCS four-circuit-structure high-precision volume control newly incorporated for preamp circuits**

TEAC-QVCS (Quad Volume Control System) is used for the volume circuit. This electronic volume control is a variable gain amp type comprised of four discrete circuits for left, right, positive and negative (L+, L-, R+, R-). By placing the variable gain amp volume control, which processes in analog,

in the audio signal path on the circuit board, issues with noise resulting from diverging wiring are avoided.

Furthermore, this TEAC-QVCS enables volume adjustment in 0.5dB increments, allowing you to set the perfect volume for your audio system or headphones.



- **Carefully crafted line amp section can also be used as a headphone amplifier**

The improved TEAC-HCLD2 circuit also has high drive capability as a headphone amp enabling it to maximize the potential of a variety of types of headphones, starting with 600Ω high-impedance models.

Physical design with extreme attention to detail

- **All-metal enclosure provides both vibration resistance and a stylish appearance in an A4 footprint that can fit on a desk**

Since the entire body is constructed from metal panels that are resistant to external noise, intrusion of electromagnetic noise generated by computers and other devices is suppressed. A clean internal environment with little noise has been realized even in conditions that are difficult for audio equipment. Furthermore, 8mm-thick aluminum panels covering both sides of the all-metal chassis provide a strong and stable structure that prevents twisting and bending. Moreover, being the size of an A4 page* (viewed from above), the unit can be placed on a desk, side table or other small space. *This excludes the connectors, knobs and other protrusions.

- **Symmetrically laid out XLR and RCA output jacks**

The NT-505-X is equipped with both balanced and unbalanced Analog audio outputs. A pair of XLR connectors and another pair of RCA connectors - each gold-plated - are symmetrically laid out, hinting at the dual monaural arrangement inside, and allowing a wide range of possible audio configurations. A wide-spaced pitch layout for the RCA outputs accommodates professional grade plugs with large-diameter shells. The NT-505-X has a total of 5 digital inputs: USB audio, coaxial, optical on the rear panel, and a combination jack on the front panel (for coaxial and optical, supporting PCM 24-bit/192kHz and DSD64 (2.8MHz) in DoP format).

- **Newly-developed Stressless Foot design**

Our newly-developed original Stressless Foot design with three support points enables stable placement of the unit so that it is not impacted by slight irregularities in the surface beneath it. Compared to the original feet used in previous designs, these feet are only partially fixed to the chassis.

Supplemental to New Product Information

TEAC

This design was developed based on the concept that by allowing the feet to vibrate freely, more natural sound reverberations could be achieved. The tops of the conical feet, which are made of machined steel, are attached so that they hang from the bottom of the chassis and swing freely when the unit is lifted. While maintaining a sense of placement like that of the pin-point spiked feet used by previous models, this design enables more natural rich reverberations.

- **Free TEAC HR Audio Player software for DSD512 playback on both Windows and Mac**

The next-generation Hi-Res formats, DSD512 (22.5MHz) and PCM 768kHz/32-bit are supported via the TEAC HR Audio Player software for Windows and Mac. This software guarantees the best available playback quality with any combination of audio format and computer configuration via a single USB cable. All the user has to do is choose the NT-505-X from the pull-down menu showing target output devices. The TEAC HR Audio Player is downloadable from TEAC's web site, and is completely free to use.



- **Free TEAC HR Streamer app for iOS/Android devices**

Supporting Hi-Res audio formats up to 5.6MHz DSD and 192kHz PCM, this free app for iOS and Android devices allows you to control wireless streaming music playback from a device, NAS, computers and the Internet, along with rich graphic information such as album artwork.

* Wi-Fi network is required to use the App.



アルバムアートワーク提供 © onkyo music
© ワーナーミュージック・ジャパン

■ Features at glance

- Hi-Res audio playback supporting DSD512 (22.5MHz) and PCM 768kHz/32-bit PCM
- DSD128 (5.6MHz) and PCM 192kHz/24-bit Network streaming from NAS/PC
- Dual mono structure with one ESS Technology ES9038Q2M converter each for left and right channels
- 7 types of PCM digital filters
- Up-conversion up to 24.5MHz DSD and 384kHz/32-bit PCM
- Dual on-board clocks for 44.1kHz and 48kHz frequencies
- 10MHz external clock input
- Supports MQA decoding
- Spotify, TIDAL, and Qobuz music subscription services
- Roon Ready
- Front USB port supporting Hi-Res playback from USB flash drive
- Bluetooth® receiver supporting LDAC™, Qualcomm® aptX™ HD, AAC and SBC
- Original TEAC-HCLD2 enhanced-current output buffer circuit
- Dual monaural circuit design
- Dual toroidal-core power transformers for each channel
- TEAC-QVCS quad volume control system
- 1/8" (3.5mm) 4-pole stereo headphone jack supporting ground-separate drive
- Full-dot OLED display with dimmer function
- Bulk Pet USB transferring technology with four transfer modes for various sound characters (*)
- Free TEAC HR Audio Player for Windows/Mac
- Free TEAC HR Streamer app for iOS/Android devices
- RoHS compliance

(*) "Bulk Pet" is a registered trademark of Interface Corporation.

■ Specifications

Supported formats

USB input (back)

PCM	16/24/32-bit 44.1/48/88.2/96/176.4/192/352.8/384/705.6/768kHz
DSD	2.8/5.6/11.2/22.5MHz

LAN/USB input (front)

PCM	16/24/32-bit 32/44.1/48/88.2/96/176.4/192/352.8/384kHz
DSD	2.8/5.6MHz

Note: 384kHz is downconverted to 192kHz and 32-bit is down converted to 24-bit.

Coaxial digital input

PCM	16/24-bit 32/44.1/48/88.2/96/176.4/192kHz
DSD	2.8MHz (supported with 176.4kHz/24-bit DoP transmission)

Optical digital input

PCM	16/24-bit 32/44.1/48/88.2/96/176.4/192kHz
DSD	2.8MHz (supported with 176.4kHz/24-bit DoP transmission)

DAC section

USB DAC	2 ES9038Q2M D/A converters made by ESS Technology, Inc.
Upconversion (maximum)	384kHz/32-bit PCM or 24.5MHz DSD
Digital filters	
PCM filters	Linear phase fast roll-off, linear phase slow roll-off, minimum phase fast roll-off, minimum phase slow roll-off, apodizing fast roll-off, hybrid fast roll-off, brick wall, off

LAN

Connector	RJ-45 x1 (1000Base-T)
MQA Decoder	Built-in

Audio inputs

USB (rear)	USB B port, USB 2.0, asynchronous mode transfer/bulk transfer
Compatible software	TEAC HR Audio Player
Coaxial digital (rear)	RCA pin x1 (gold-plated)
Input level	0.5Vp-p
Input impedance	75Ω
Optical digital (rear)	TOS-link x1
Input level	-24.0 to -14.5dBm peak
Coaxial digital (front)	1/8" (3.5mm) mini×1 (combined with optical digital input, detected automatically)
Input level	0.5Vp-p
Input impedance	75Ω (1/8" Mini - RCA conversion cable included.)
Optical digital (front)	1/8" Mini Optical×1 (combined with coaxial digital input, detected automatically)
Input level	-24.0 to -14.5dBm peak
USB (front)	USB A port
Supported media	USB Flash drive
Bluetooth ®	
Bluetooth version	v4.2
Output class	Class2 (Range: approx. 33ft/10m)
Supported profiles	A2DP, AVRCP
Content protection	SCMS-T
Supported codec	LDAC™, Qualcomm® aptX™ HD, aptX™, AAC, SBC
No. of paired device	maximum 8 devices

Audio Outputs

XLR balanced	XLR x1 pair (gold-plated)
Output level	Fixed (0dB), Fixed (+6dB), variable, output off (selectable)
Maximum output level	2.0Vrms (1kHz, full scale, into 10kΩ, when set to fixed (0dB)) 4.0Vrms (1kHz, full scale, into 10kΩ, when set to fixed (+6dB)) 12.0Vrms (1kHz, full scale, into 10kΩ, when set to variable)
Output Impedance	188Ω
RCA unbalanced	RCA pin x1 pair (gold-plated)
Output level	Fixed (0dB), Fixed (+6dB), variable, output off (selectable)
Maximum output level	2.0Vrms (1kHz, full scale, into 10kΩ, when set to fixed (0dB)) 4.0Vrms (1kHz, full scale, into 10kΩ, when set to fixed (+6dB)) 6.0Vrms (1kHz, full scale, into 10kΩ, when set to variable)

Supplemental to New Product Information

TEAC

Output impedance 150Ω

Headphone outputs

Connector 1/8" (3.5mm) 4-polar stereo jack with gold-plated
Polarity Tip: L+, Ring1: R+, Ring3: L-, Sleeve: R-
Maximum output 500mW + 500mW (into 32Ω)
Supported impedance 16 to 600Ω

Clock section

Internal clock

Type Crystal oscillator
Number of clocks 2 (44.1kHz and 48kHz)

External clock input

Connector BNC (gold-plated)
Input frequency 10MHz
Input impedance 50Ω
Input level Rectangle wave: equivalent to TTL levels
Sine wave: 0.5 to 1.0 Vrms

Audio performance

Frequency response 5 – 80,000 Hz (+1/-5 dB, 192kHz PCM input, RCA output, Digital Filter on)
Total harmonic distortion 0.0015% or less (192kHz PCM input, RCA output, Digital Filter on)
S/N ratio 110dB or higher (192kHz PCM input, RCA output, digital filter off)

Operating systems supported by drivers

Windows Windows10
Windows 8.1 (32/64-bit editions)
Windows 8 (32/64-bit editions)
Windows 7 (32/64-bit editions)

Macintosh Big Sur (macOS 11.0)
Catalina (macOS 10.15)
Mojave (macOS 10.14)
High Sierra (macOS 10.13)
Sierra (macOS 10.12)
El Capitan (OS X 10.11)
Yosemite (OS X 10.10)

General

Power Supply	AC 120V 60Hz (US/Canada) AC 220 to 240V 50Hz/60Hz (UK/Europe)
Power consumption	20 W (0.4 W in standby)
Weight	4.1 kg
Included accessories	Power cord, RCA-mini plug conversion cable, remote control (RC-1330), Owner's Manual

