

# ESOTERIC

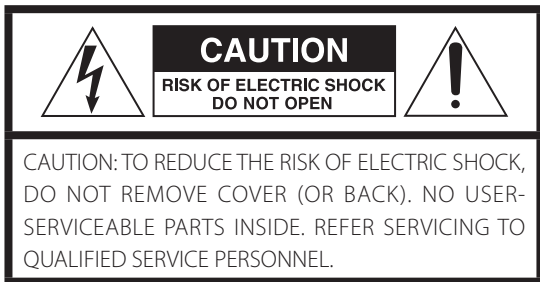
## S-05

### STEREO POWER AMPLIFIER

OWNER'S MANUAL.....	3
MODE D'EMPLOI.....	19
MANUAL DEL USUARIO.....	35



# IMPORTANT SAFETY INSTRUCTIONS



The lightning flash with arrowhead symbol, within an equilateral triangle, is intended to alert the user to the presence of uninsulated "dangerous voltage" within the product's enclosure that may be of sufficient magnitude to constitute a risk of electric shock to persons.



The exclamation point within an equilateral triangle is intended to alert the user to the presence of important operating and maintenance (servicing) instructions in the literature accompanying the appliance.

**WARNING: TO PREVENT FIRE OR SHOCK HAZARD, DO NOT EXPOSE THIS APPLIANCE TO RAIN OR MOISTURE.**

## CAUTION

- DO NOT REMOVE THE EXTERNAL CASES OR CABINETS TO EXPOSE THE ELECTRONICS. NO USER SERVICEABLE PARTS ARE INSIDE.
- IF YOU ARE EXPERIENCING PROBLEMS WITH THIS PRODUCT, CONTACT THE STORE WHERE YOU PURCHASED THE UNIT FOR A SERVICE REFERRAL. DO NOT USE THE PRODUCT UNTIL IT HAS BEEN REPAIRED.
- USE OF CONTROLS OR ADJUSTMENTS OR PERFORMANCE OF PROCEDURES OTHER THAN THOSE SPECIFIED HEREIN MAY RESULT IN HAZARDOUS RADIATION EXPOSURE.

- 1) Read these instructions.
- 2) Keep these instructions.
- 3) Heed all warnings.
- 4) Follow all instructions.
- 5) Do not use this apparatus near water.
- 6) Clean only with dry cloth.
- 7) Do not block any ventilation openings. Install in accordance with the manufacturer's instructions.
- 8) Do not install near any heat sources such as radiators, heat registers, stoves, or other apparatus (including amplifiers) that produce heat.
- 9) Do not defeat the safety purpose of the polarized or grounding-type plug. A polarized plug has two blades with one wider than the other. A grounding type plug has two blades and a third grounding prong. The wide blade or the third prong are provided for your safety. If the provided plug does not fit into your outlet, consult an electrician for replacement of the obsolete outlet.
- 10) Protect the power cord from being walked on or pinched particularly at plugs, convenience receptacles, and the point where they exit from the apparatus.

- 11) Only use attachments/accessories specified by the manufacturer.

- 12) Use only with the cart, stand, tripod, bracket, or table specified by the manufacturer, or sold with the apparatus. When a cart is used, use caution when moving the cart/apparatus combination to avoid injury from tip-over.



- 13) Unplug this apparatus during lightning storms or when unused for long periods of time.
- 14) Refer all servicing to qualified service personnel. Servicing is required when the apparatus has been damaged in any way, such as power-supply cord or plug is damaged, liquid has been spilled or objects have fallen into the apparatus, the apparatus has been exposed to rain or moisture, does not operate normally, or has been dropped.

- The apparatus draws nominal non-operating power from the AC outlet with its POWER or STANDBY/ON switch not in the ON position.
- The mains plug is used as the disconnect device; the disconnect device shall remain readily operable.
- Caution should be taken when using earphones or headphones with the product because excessive sound pressure (volume) from earphones or headphones can cause hearing loss.

## WARNING

Products with Class **I** construction are equipped with a power supply cord that has a grounding plug. The cord of such a product must be plugged into an AC outlet that has a protective grounding connection.

**IN USA/CANADA, USE ONLY ON 120V SUPPLY.**

## CAUTION

- Do not expose this apparatus to drips or splashes.
- Do not place any objects filled with liquids, such as vases, on the apparatus.
- Do not install this apparatus in a confined space such as a book case or similar unit.
- The apparatus should be located close enough to the AC outlet so that you can easily reach the power cord plug at any time.
- If the product uses batteries (including a battery pack or installed batteries), they should not be exposed to sunshine, fire or excessive heat.
- CAUTION for products that use replaceable lithium batteries: there is danger of explosion if a battery is replaced with an incorrect type of battery. Replace only with the same or equivalent type.

## Supplier's Declaration of Conformity

Model number: S-05

Trade name: ESOTERIC

Responsible party: 11 Trading Company, LLC

Address: 3502 Woodview Trace #200 Indianapolis, IN 46268 U.S.A.

URL: <https://11tradingcompany.com/contact-us/>

This device complies with Part.15 of FCC Rules.

Operation is subject to the following two conditions:

- 1) This device may not cause harmful interference
- 2) This device must accept any interference received, including interference that may cause undesired operation.



### Information

This equipment has been tested and found to comply with the limits for a Class B digital device, pursuant to Part 15 of the FCC Rules. These limits are designed to provide reasonable protection against harmful interference in a residential installation. This equipment generates, uses, and can radiate radio frequency energy and, if not installed and used in accordance with the instructions, may cause harmful interference to radio communications. However, there is no guarantee that interference will not occur in a particular installation. If this equipment does cause harmful interference to radio or television reception, which can be determined by turning the equipment off and on, the user is encouraged to try to correct the interference by one or more of the following measures:

- Reorient or relocate the equipment and/or the receiving antenna.
- Increase the separation between the equipment and receiver.
- Connect the equipment into an outlet on a circuit different from that to which the receiver is connected.
- Consult the dealer or an experienced radio/TV technician for help.

### CAUTION

Changes or modifications not expressly approved by the party responsible for compliance could void the user's authority to operate the equipment.

## Model for Canada

Innovation, Science and Economic Development Canada's

Compliance Statement:

This Class B digital apparatus complies with Canadian ICES-003.

## Model for Europe



This product complies with the European Directives request, and the other Commission Regulations.

## Model for UK

This product complies with the applicable UK regulations.



## For European Customers

### Disposal of electrical and electronic equipment and batteries and/or accumulators

- a) All electrical/electronic equipment and waste batteries/accumulators should be disposed of separately from the municipal waste stream via collection facilities designated by the government or local authorities.
- b) By disposing of electrical/electronic equipment and waste batteries/accumulators correctly, you will help save valuable resources and prevent any potential negative effects on human health and the environment.
- c) Improper disposal of waste electrical/electronic equipment and batteries/accumulators can have serious effects on the environment and human health because of the presence of hazardous substances in the equipment.
- d) The Waste Electrical and Electronic Equipment (WEEE) symbols, which show wheeled bins that have been crossed out, indicate that electrical/electronic equipment and batteries/accumulators must be collected and disposed of separately from household waste.  
If a battery or accumulator contains more than the specified values of lead (Pb), mercury (Hg), and/or cadmium (Cd) as defined in the Battery Directive (2006/66/EC, 2013/56/EU), then the chemical symbols **Pb, Hg, Cd** for those elements will be indicated beneath the WEEE symbol.
- e) Return and collection systems are available to end users. For more detailed information about the disposal of old electrical/electronic equipment and waste batteries/accumulators, please contact your city office, waste disposal service or the shop where you purchased the equipment.



# Contents

Thank you for purchasing this ESOTERIC product.  
Read this manual carefully to get the best performance from this product. After reading it, keep it in a safe place with the warranty card for future reference.

IMPORTANT SAFETY INSTRUCTIONS .....	3
Before use .....	6
Maintenance .....	7
Names and functions of parts .....	8
Connecting speakers .....	10
Connecting using ES-LINK Analog .....	11
Connections .....	12
Basic operation .....	15
Notes about the protection circuits .....	16
Troubleshooting .....	16
Specifications .....	17
Dimensional drawings .....	18

---

ESOTERIC is a trademark of TEAC CORPORATION, registered in the U.S. and other countries.

Other company names, product names and logos in this document are the trademarks or registered trademarks of their respective owners.

## Included accessories

Check to be sure the box includes all the supplied accessories shown below. Please contact the store where you purchased this product if any of these accessories are missing or have been damaged during transportation.

- Power cord × 1
- Felt pads × 4
- Owner's manual (this document) × 1
- Warranty card × 1

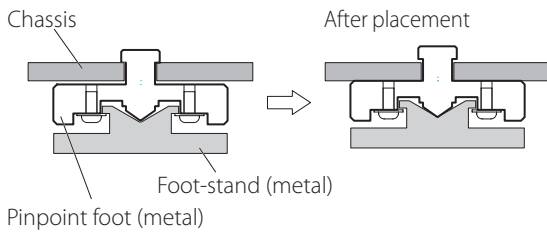
## Precautions for use

- This unit is very heavy, so take care to avoid injury during installation.
- Place the unit in a stable location near the audio system that will be used with it.
- Do not install this unit in a location that could become hot. This includes places that are exposed to direct sunlight or near a radiator, heater, stove or other heating equipment. Moreover, do not place it on top of an amplifier or other equipment that generates heat. Doing so could cause discoloration, deformation or malfunction.
- Avoid locations that are subject to vibrations or exposed to excessive dust, cold or moisture.
- In order to enable good heat dissipation, leave at least 20 cm (8") between this unit and walls and other equipment when installing it.
- When putting this unit in a rack, for example, leave at least 20 cm (8") open above and behind it.  
When putting it in a rack, be mindful of the temperature and use one with ventilation openings, for example, in addition to the conditions above.  
Failure to provide these gaps could cause heat to build up inside and result in fire.
- Do not install it face up or on its side.
- Do not place anything on top of this unit. Do not place it on top of bedding or thick carpet. Doing so could cause the unit to overheat or damage it.
- The voltage supplied to the unit should match the voltage as printed on its back. If you are in any doubt regarding this matter, consult an electrician.
- Do not move the unit during use.
- Do not open the body of the unit as doing so might result in damage to the circuitry or cause electric shock. If a foreign object should get into the unit, contact your dealer.
- When removing the power plug from an outlet, always pull directly on the plug. Never pull on the cord itself.

## Note about pinpoint feet

High-precision metal pinpoint feet are attached to the bottom plate of this unit.

The pinpoint feet and their stands are loose, but when the unit is placed in position, it is supported by these pinpoint feet, which effectively disperse vibrations.



- This unit is very heavy, so take care to avoid injury during installation.
- Apply the included felt pads to the bottoms of the foot-stands to avoid scratching the surface where the unit is placed.

Use a soft dry cloth to wipe the surface of the unit clean.

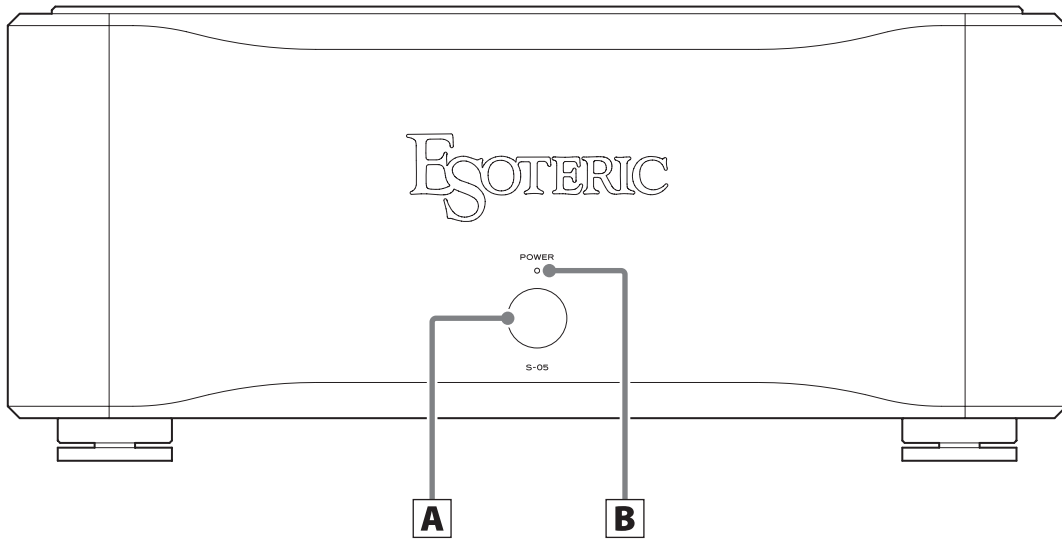
For stubborn smudges, use a damp cloth that has been thoroughly wrung out to remove excess moisture.

- Never spray liquid directly on this unit.
- Do not wipe with chemical cleaning cloths, thinner or other chemical agents. Doing so could damage the surface.
- Avoid allowing rubber or plastic materials to touch the unit for long periods of time because they could damage the cabinet.

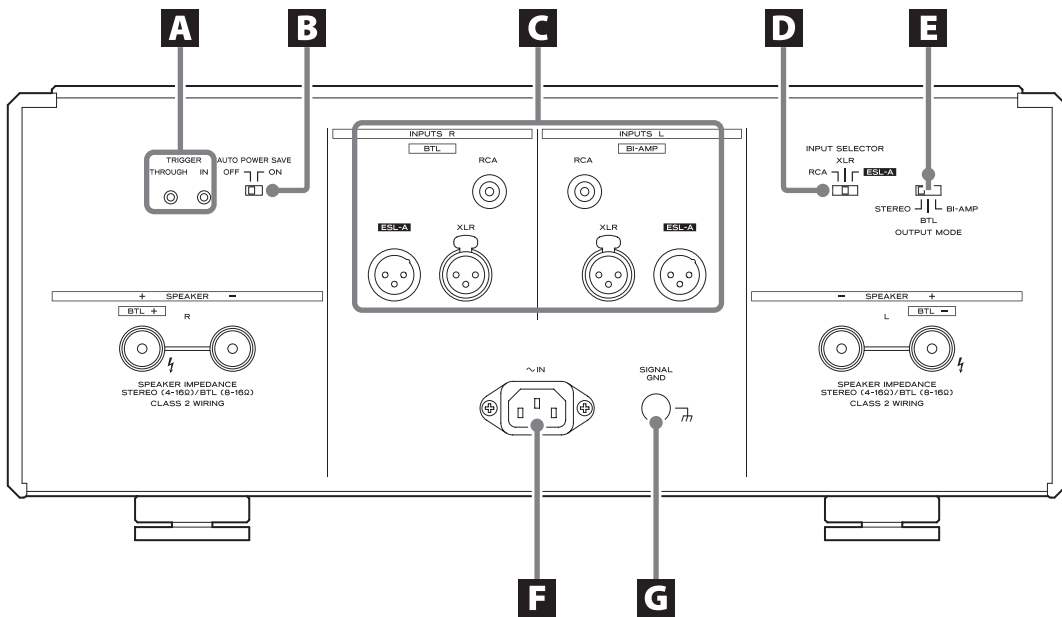
**⚠ For safety, disconnect the power plug from the outlet before cleaning.**

# Names and functions of parts

## Front



## Back





**A POWER button**

Press this to turn the unit on and off.

After turning the unit on, the power indicator will blink and no sound will be output for a few seconds. Wait until the indicator stops blinking and stays lit.

- Since this unit has a large power transformer and capacitors, the power transformer might make noise for a short time after the unit is turned on. This is normal behavior, not a malfunction.

**B Power indicator**

This lights when the unit is on.

**A TRIGGER connectors**

Use these connectors to control power from an external source.

**Commercially-available 3.5mm mono mini plug cables are necessary for connections. Please prepare cables with the lengths necessary for the use conditions.**

IN: This turns the unit on/off in coordination with the connected device.

THROUGH: Multiple S-05 units can be coordinated with the power of an external device by connecting this to the TRIGGER IN of a second S-05.

**B AUTO POWER SAVE switch**

Use this to turn the automatic power saving function on and off. When the automatic power saving function is on, if there is no audio input (continuous silence) from the selected input source for 30 minutes, the unit will turn off automatically.

- The input sources that are not selected have no effect on automatic power saving.

**C Analog INPUTS connectors**

Connect these to the analog output connectors of preamps. Set the INPUT SELECTOR switch to choose the connector to use.

**Use commercially available cables for connections.**

RCA: RCA cables


XLR, ESL-A: balanced XLR cables

Insert balanced XLR plugs until the connector levers lock. Press these levers and pull the plugs out to disconnect.

- The XLR connectors are 2 "HOT". Use compatible cables.
- Insert the plugs completely. Do not bundle these cables together with power cords or speaker cables. Doing so could degrade the sound quality or cause noise.
- For ESL-A connections, use balanced XLR cables that are shielded. Using cables that are not shielded could cause noise.

**D INPUT SELECTOR switch**

Use this to switch between the RCA, XLR and ESL-A inputs.

 **Do not change this when the unit is on. Doing so could result in a sudden loud noise that could harm your hearing or damage the connected speakers.**

**E OUTPUT MODE switch**

Use this to change the unit operation mode.

STEREO: stereo power amplifier


BTL: mono power amplifier

BI-AMP: bi-amplifier

**F AC power inlet (~IN)**

Connect the supplied power cord to this AC inlet.

After completing all other connections, plug the power plug into a power outlet.

 **Use only a genuine ESOTERIC power cord. Use of other power cords could result in fire or electric shock.**

 **Disconnect the power plug from the outlet if you will not use the unit for a long time.**

**G SIGNAL GND grounding terminal**

Using commercially-available sheathed wire (for example, PVC-insulated) to create grounded connections with the speakers, the preamplifier or other equipment might improve the sound quality.

- This is not a safety grounding terminal.

# Connecting speakers

## Notes about speaker cables

- Use commercially-available speaker cables to connect the speakers.
- Use the shortest speaker cables possible. The longer the cable, the greater the resistance value and the more that damping performance is reduced. Moreover, length also increases inductance and capacitance, degrading the sound quality of high frequencies.
- Use left and right speaker cables that have the same length.

## How to connect speaker cables

Use commercially-available speaker cables to connect the + terminal of the unit to the + terminal of the speaker and the – terminal of the unit to the – terminal of the speaker.

- Use speakers with at least 4Ω impedance. When using BTL mode, use speakers with at least 8Ω impedance.
- If the exposed tip of the core wire of a speaker cable contacts another cord or terminal, a short could occur. Never allow speaker cables to cause a short.
- Do not connect more than one amplifier to a speaker.
- Do not bundle speaker cables with power cords. Doing so could cause noise.

**⚠ The power plug should always be disconnected when connecting speaker cables.**

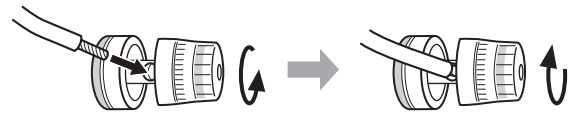


### Precautions when connecting speaker cables

Connect the cables securely so that they do not become loose and the core wires or terminals at their ends do not become exposed and contact other metal parts or the unit.

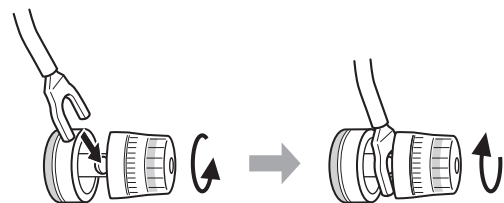
## When using bare speaker wires

Loosen the cap and insert the core wire into the hole in the terminal. Then, tighten the cap.



## When using spade connectors

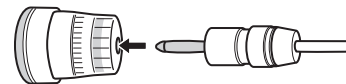
Loosen the cap and insert the spade connector between the cap and base of the terminal. Then, tighten the cap.



- When connecting speakers with spade connectors, they should have inside diameters of at least 8 mm.

## When using banana plugs

With the cap tightened, insert the plug into the opening in the end of the terminal.



- Carefully read the instructions for the banana plugs that you are using.

## Notice about the European model

In accordance with European safety regulations, connecting banana plugs to speaker terminals is not allowed on European models.

The holes into which banana plugs could be inserted have been covered with black caps. Connect speakers using bare wires or spade connectors.

If a black cap should become separated from its terminal, return it to its original position.

# Connecting using ES-LINK Analog

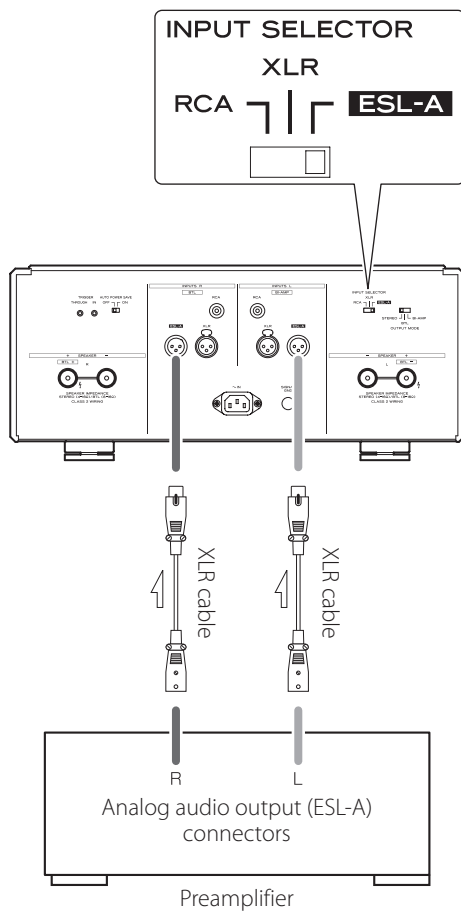
## ES-LINK Analog overview

The current transmission method utilizes the performance of HCLD buffer circuits that feature the ability to supply strong current at high speed. This suppresses the impact of impedance on signal paths, enabling pure and powerful transmission of signals.

- Ordinary balanced cables (with XLR connectors) are used for connection. These connectors can only be used with compatible devices, however, because the transmission format is unique.

## Connecting to a preamplifier using ES-LINK Analog

When the output mode is STEREO



Use an XLR cable to connect the analog audio output (ESL-A) connector of a preamp to the ES-LINK Analog input (ESL-A) connector on this unit.

- Set the INPUT SELECTOR switch on this unit to ESL-A.
- When the output mode is BTL or BI-AMP, connect XLR cables only to the BTL or BI-AMP input connectors.
- Normal XLR and RCA connections are also possible. Select the connection type that provides the audio quality you prefer.

### ATTENTION

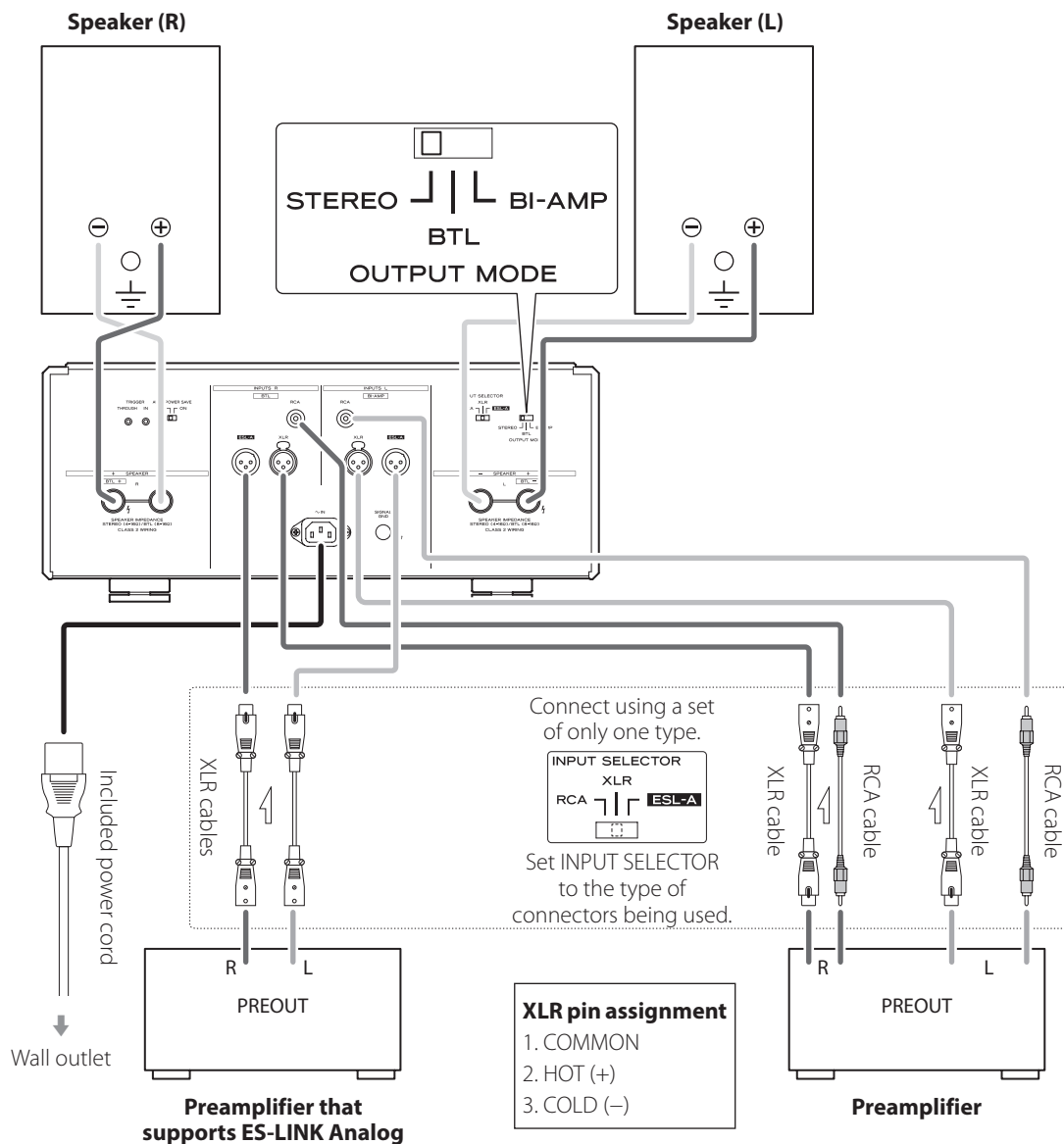
- The ESL-A input connector of this unit is a male-type connector to prevent accidental connection by mistaking it for the XLR input connector.
- For ESL-A connections, use balanced XLR cables that are shielded. Using cables that are not shielded could cause noise.

## Precautions when making connections

Complete all other connections before connecting power plugs to power outlets. Always disconnect the power plug of this unit before disconnecting anything else. Read the owner's manuals of all devices that will be connected, and follow their instructions.

## Using STEREO output mode

Set the OUTPUT MODE switch to STEREO.



## Using BTL output mode

This unit can be used as a mono amplifier.  
Set the OUTPUT MODE switches on the units for the L and R channels to BTL.

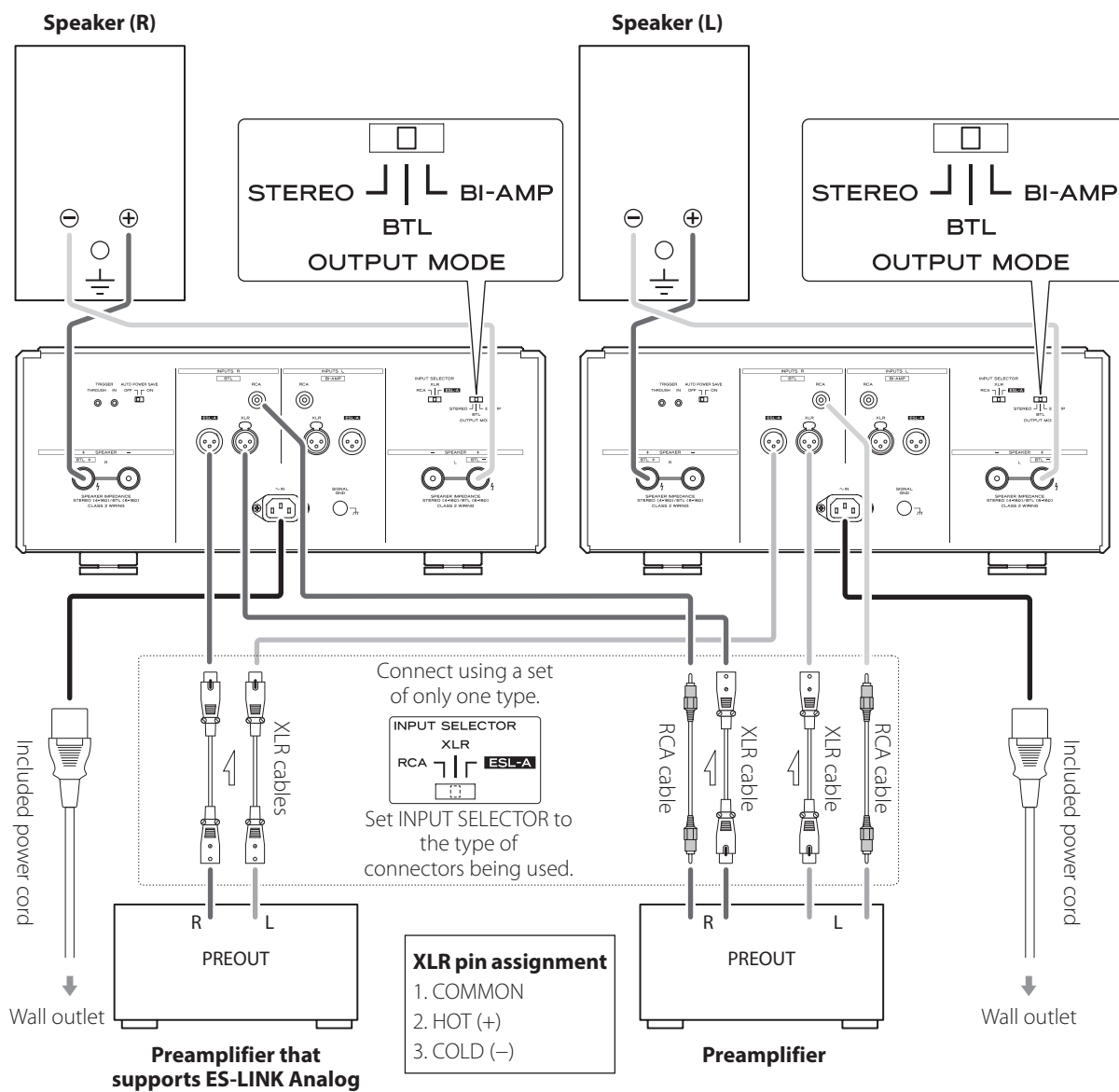
**In BTL mode, use two of these units for stereo playback.**

### NOTE

Sound input through the analog audio INPUTS R connectors will be output from both the L and R SPEAKER terminals with opposite polarity.

### ATTENTION

- Connect speakers to SPEAKER R + (BTL +) and SPEAKER L + (BTL -).
- Do not connect anything to the unit's analog INPUTS L connectors. Doing so could result in damage.



# Connections (continued)

## Using BI-AMP output mode

This unit can be used as a mono bi-amplifier. Set the OUTPUT MODE switches on the units for the L and R channels to BI-AMP.

**In BI-AMP mode, use two of these units for stereo playback.**

### What is bi-amp connection?

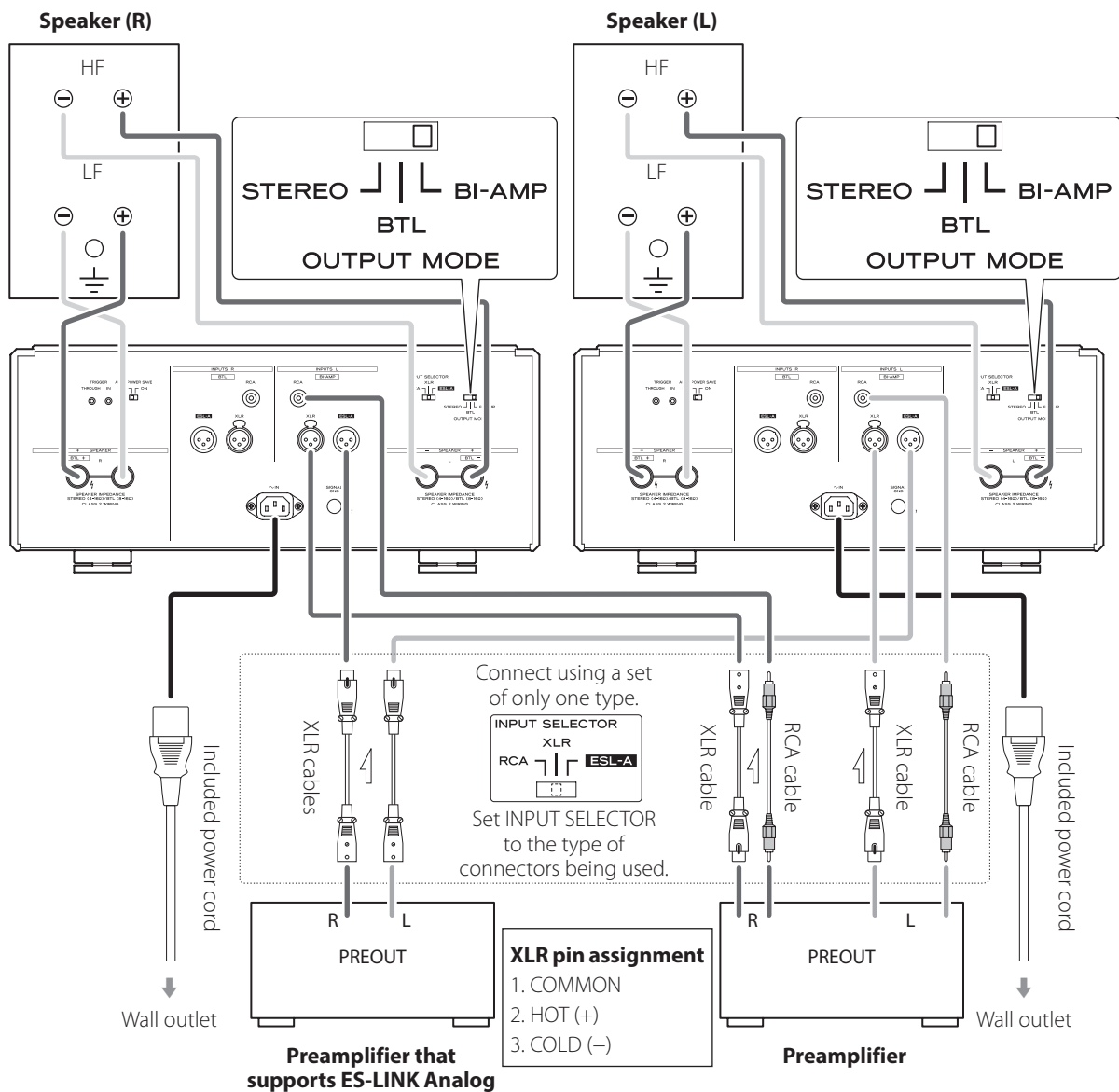
This method operates amplifiers independently for low-frequency and high-frequency speaker units.

### NOTE

Sound input through the analog INPUTS L connectors will be output from both the L and R SPEAKER terminals.

### ⚠ ATTENTION

- Connection for bi-amplification is not possible with speakers that do not have both low frequency (LF) and high frequency (HF) terminals.
- When using bi-amp connections, remove speaker terminal links, and disconnect the connections between speaker ⊕ terminals and between ⊖ terminals.
- Do not connect anything to the unit's analog INPUTS R connectors. Doing so could result in damage.

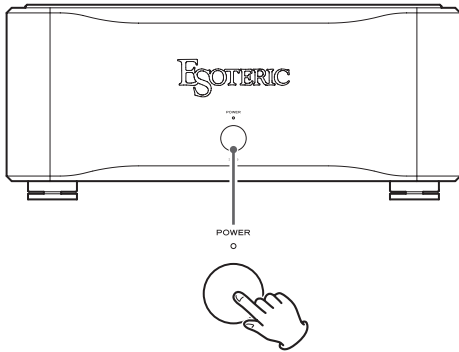


# Basic operation

In order to protect the speakers, follow the steps below when turning on and off the system to which this unit is connected.

## Turning the power on

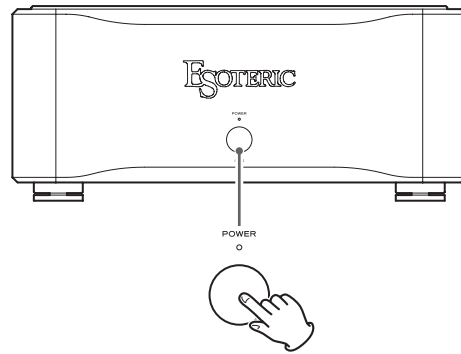
- 1 Turn the audio source device on.**
- 2 Turn the preamp power on and minimize its volume.**
- 3 Press the POWER button to turn this unit on.**



After turning the unit on, the power indicator will blink and no sound will be output for a few seconds. Wait until the power indicator stops blinking and stays lit before adjusting the volume and conducting other operations.

## Turning the power off

- 1 If a source device is playing, stop playback.**
- 2 Minimize the preamplifier volume.**
- 3 Turn this unit off.**



- 4 Turn the preamplifier off.**
- 5 Turn the source device off.**

This unit has an overload protection circuit, an overheating protection circuit and a DC voltage protection circuit built-in.

When an abnormality is detected, the power indicator will blink red repeatedly for 30 seconds in a pattern as shown below. Then the protection circuit will activate and the power will turn off.

### Overload detected



### Left channel overheating detected



### Right channel overheating detected



### Left and right channel overheating detected



■ Lit

### DC detected

No error indicator

## Countermeasures

### Overload detected

A short might have occurred with the +/- speaker cables. Disconnect the power cord and check the connections with the speakers.

### Left channel overheating detected

### Right channel overheating detected

### Left and right channel overheating detected

The internal temperature has become high. Turn the power off and wait a while until the temperature has cooled down or improve the installation conditions to increase the ventilation.

### DC detected

After detection, the power will turn off immediately without showing an error indicator.

Since an internal circuit might be malfunctioning, contact the retailer where you purchased the unit.

If the indicator continues to blink even after likely causes have been eliminated, contact the store where you purchased the unit.

If you experience a problem with this product, please take a moment to review the following information before requesting service. If this product still does not operate correctly, contact the retailer where you purchased it.

### The unit does not turn on.

- ➔ Insert the power plug into an outlet.

### The unit automatically turns off.

- ➔ This is because the automatic power saving function turned it off. Press the POWER button on the main unit to turn it on.
- ➔ Change the automatic power saving setting if necessary (page 9).

### No sound is output.

- ➔ Turn this unit on.
- ➔ Confirm that the preamplifier is on. Before turning the preamplifier on, turn this unit off.
- ➔ Confirm that a signal is being output from the preamplifier.
- ➔ Check the connections between this unit, the preamplifier and the speaker, as well as between the audio source device and the preamplifier.
- ➔ Confirm that the correct input is selected on the preamplifier.
- ➔ Confirm that the correct input is selected on this unit.
- ➔ Raise the preamplifier volume.

### The power indicator repeatedly blinks red in an irregular pattern.

- ➔ A protection circuit is active. Turn the unit off and eliminate the cause (page 16).

### The stereo sound position is irregular.

- ➔ Check that neither of the speakers has a connection cable with +/- reversed.



## Audio performance

Rated output	30 W + 30 W (8 Ω) 60 W + 60 W (4 Ω)
Frequency response	5 Hz – 100 kHz (+0 dB, –3 dB, 8 Ω)
S/N ratio	102 dB (IHF-A, XLR)
Total harmonic distortion	0.007% (1 kHz, 8 Ω, 30 W)
Compatible impedance	4 Ω – 16 Ω In BTL mode. 8 Ω – 16 Ω
Gain	28.5 dB
Damping factor	500
Input connectors	
ESL-A	1 pair
RCA	1 pair
XLR	1 pair
Input impedance	
RCA	47 kΩ
XLR	100 kΩ
Trigger connectors	
IN	1
THROUGH	1

## General

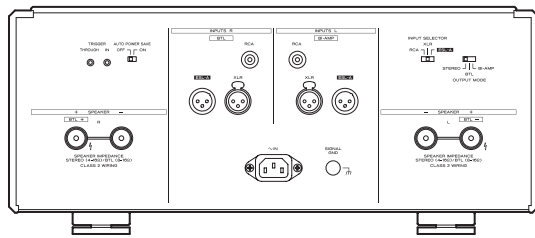
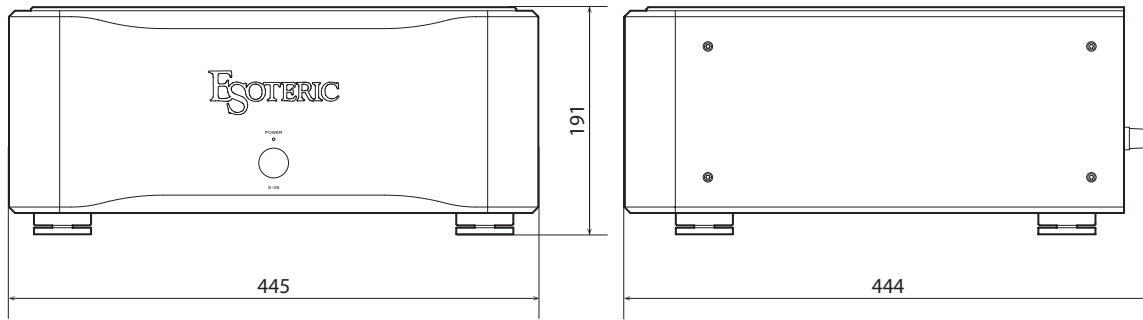
Power supply	
Model for Europe	AC 230 V, 50 Hz
Model for USA/Canada	AC 120 V, 60 Hz
Power consumption	250 W (240 W when no signal)
External dimensions (W × H × D, including protrusions)	445 × 191 × 444 mm (17 5/8" × 7 5/8" × 17 1/2")
Weight	30.7 kg (67 3/4 lb)
Operating temperature range	+5°C to +35°C
Operating humidity range	5% to 85% (no condensation)
Storage temperature range	–20°C to +55°C

## Included accessories

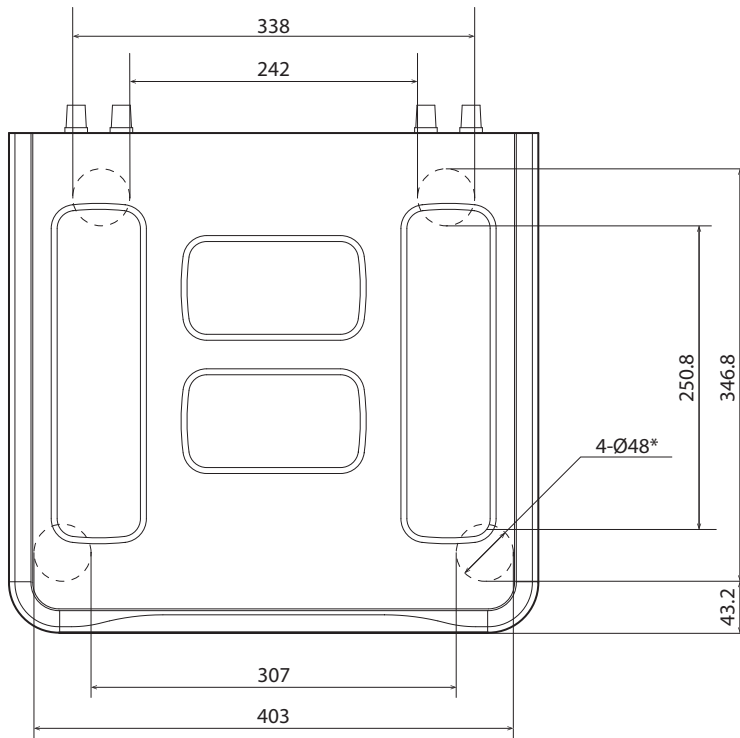
Power cord	× 1
Felt pads	× 4
Owner's manual (this document)	× 1
Warranty card	× 1

- Specifications and appearance are subject to change without notice.
- Weight and dimensions are approximate.
- Illustrations in this manual might differ slightly from production models.

# Dimensional drawings



## Foot placement diagram



Dimensions in millimeters (mm)  
\*48mm diameter feet x 4

# INSTRUCTIONS DE SÉCURITÉ IMPORTANTES



**CAUTION**  
RISK OF ELECTRIC SHOCK  
DO NOT OPEN



ATTENTION : POUR RÉDUIRE LE RISQUE D'ÉLECTROCUTION, NE RETIREZ PAS LE CAPOT (OU L'ARRIÈRE). AUCUNE PIÈCE INTERNE N'EST RÉPARABLE PAR L'UTILISATEUR. CONFIEZ TOUTE RÉPARATION À UN SERVICE APRÈS-VENTE QUALIFIÉ.



Le symbole d'éclair à tête de flèche dans un triangle équilatéral sert à prévenir l'utilisateur de la présence dans l'enceinte du produit d'une « tension dangereuse » non isolée d'une grandeur suffisante pour constituer un risque d'électrocution pour les personnes.



Le point d'exclamation dans un triangle équilatéral sert à prévenir l'utilisateur de la présence d'instructions importantes de fonctionnement et de maintenance (entretien) dans les documents accompagnant l'appareil.

**AVERTISSEMENT : POUR PRÉVENIR LES RISQUES D'INCENDIE ET D'ÉLECTROCUTION, N'EXPOSEZ PAS CET APPAREIL À LA PLUIE NI À L'HUMIDITÉ.**

## ATTENTION

- NE RETIREZ PAS LES CAPOTS EXTERNES OU BOÎTIERS POUR EXPOSER L'ÉLECTRONIQUE. AUCUNE PIÈCE INTERNE N'EST RÉPARABLE PAR L'UTILISATEUR.
- SI VOUS RENCONTREZ DES PROBLÈMES AVEC CE PRODUIT, CONTACTEZ LE MAGASIN OÙ VOUS AVEZ ACHETÉ L'UNITÉ. N'UTILISEZ PAS LE PRODUIT TANT QU'IL N'A PAS ÉTÉ RÉPARÉ.
- L'UTILISATION DE COMMANDES, DE RÉGLAGES OU LE SUIVI DE PROCÉDURES AUTRES QUE CE QUI EST DÉCRIT DANS CE DOCUMENT PEUT PROVOQUER UNE EXPOSITION À UN RAYONNEMENT DANGEREUX.

- 1) Lisez ces instructions.
- 2) Conservez ces instructions.
- 3) Tenez compte de tous les avertissements.
- 4) Suivez toutes les instructions.
- 5) N'utilisez pas cet appareil avec de l'eau à proximité.
- 6) Ne nettoyez l'appareil qu'avec un chiffon sec.
- 7) Ne bloquez aucune ouverture de ventilation. Installez-le conformément aux instructions du fabricant.
- 8) N'installez pas l'appareil près de sources de chaleur telles que des radiateurs, bouches de chauffage, poêles ou autres appareils (y compris des amplificateurs) dégageant de la chaleur.
- 9) Ne neutralisez pas la fonction de sécurité de la fiche polarisée ou de terre. Une fiche polarisée a deux broches, l'une plus large que l'autre. Une fiche de terre a deux broches identiques et une troisième broche pour la mise à la terre. La broche plus large ou la troisième broche servent à votre sécurité. Si la fiche fournie n'entre pas dans votre prise, consultez un électricien pour le remplacement de la prise obsolète.

10) Évitez de marcher sur le cordon d'alimentation et de le pincer, en particulier au niveau des fiches, des prises secteur, et du point de sortie de l'appareil.

11) N'utilisez que des fixations/accessoires spécifiés par le fabricant.

12) Utilisez-le uniquement avec des chariots, socles, trépieds, supports ou tables spécifiés par le fabricant ou vendus avec l'appareil. Si un chariot est utilisé, faites attention à ne pas être blessé par un renversement lors du déplacement de l'ensemble chariot/appareil.



13) Débranchez cet appareil en cas d'orage ou de non utilisation prolongée.

14) Confiez toute réparation à des techniciens de maintenance qualifiés. Une réparation est nécessaire si l'appareil a été endommagé d'une quelconque façon, par exemple si le cordon ou la fiche d'alimentation est endommagé, si du liquide a été renversé sur l'appareil ou si des objets sont tombés dedans, si l'appareil a été exposé à la pluie ou à l'humidité, s'il ne fonctionne pas normalement, ou s'il est tombé.

- L'appareil tire un courant nominal de veille de la prise secteur quand son interrupteur POWER ou STANDBY/ON n'est pas en position ON.
- La fiche secteur est utilisée comme dispositif de déconnexion et doit donc toujours rester disponible.
- Des précautions doivent être prises en cas d'utilisation d'écouteurs ou d'un casque avec le produit car une pression sonore excessive (volume trop fort) dans les écouteurs ou dans le casque peut causer une perte auditive.

## AVERTISSEMENT

Les produits ayant une construction de Classe **I** sont équipés d'un cordon d'alimentation avec une fiche de terre. Le cordon d'un tel produit doit être branché dans une prise secteur avec terre de sécurité.

**AUX USA/CANADA, UTILISEZ UNIQUEMENT UNE TENSION D'ALIMENTATION DE 120 V.**

## ATTENTION

- N'exposez pas cet appareil aux gouttes ni aux éclaboussures.
- Ne placez pas d'objet rempli de liquide sur l'appareil, comme par exemple un vase.
- N'installez pas cet appareil dans un espace confiné comme une bibliothèque ou un meuble similaire.
- L'appareil doit être placé suffisamment près de la prise de courant pour que vous puissiez à tout moment attraper facilement la fiche du cordon d'alimentation.
- Si le produit utilise des piles/batteries (y compris un pack de batteries ou des piles installées), elles ne doivent pas être exposées au soleil, au feu ou à une chaleur excessive.
- **PRÉCAUTION** pour les produits qui utilisent des batteries remplaçables au lithium : remplacer une batterie par un modèle incorrect entraîne un risque d'explosion. Remplacez-les uniquement par un type identique ou équivalent.

## Modèle pour le Canada

Déclaration de conformité d'Innovation, Sciences et Développement économique Canada :

CET APPAREIL NUMÉRIQUE DE LA CLASSE B EST CONFORME À LA NORME NMB-003 DU CANADA



## Modèle pour l'Europe



Ce produit est conforme aux directives européennes et aux autres réglementations de la Commission européenne.

### Pour les consommateurs européens

#### Mise au rebut des équipements électriques et électroniques et des piles et/ou accumulateurs

- Tout équipement électrique/électronique et pile/accumulateur hors d'usage doit être traité séparément de la collecte municipale d'ordures ménagères dans des points de collecte désignés par le gouvernement ou les autorités locales.
- En vous débarrassant correctement des équipements électriques/électroniques et piles/accumulateurs hors d'usage, vous contribuerez à la sauvegarde de précieuses ressources et à la prévention de potentiels effets négatifs sur la santé humaine et l'environnement.
- Le traitement incorrect des équipements électriques/électroniques et piles/accumulateurs hors d'usage peut avoir des effets graves sur l'environnement et la santé humaine en raison de la présence de substances dangereuses dans les équipements.
- Le symbole de déchets d'équipements électriques et électroniques (DEEE), qui représente une poubelle à roulettes barrée d'une croix, indique que les équipements électriques/électroniques et piles/accumulateurs doivent être collectés et traités séparément des déchets ménagers.  
  
Si une pile ou un accumulateur contient plus que les valeurs de plomb (Pb), mercure (Hg) et/ou cadmium (Cd) spécifiées dans la directive sur les piles et accumulateurs (2006/66/CE, 2013/56/UE), alors les symboles **Pb, Hg, Cd** chimiques de ces éléments seront indiqués sous le symbole DEEE.  

- Des systèmes de retour et de collecte sont disponibles pour l'utilisateur final. Pour des informations plus détaillées sur la mise au rebut des vieux équipements électriques/électroniques et piles/accumulateurs hors d'usage, veuillez contacter votre mairie, le service d'ordures ménagères ou le magasin dans lequel vous avez acquis l'équipement.

# Sommaire

Nous vous remercions d'avoir choisi ce produit ESOTERIC.  
Lisez attentivement ce mode d'emploi pour tirer les meilleures performances de ce produit. Après l'avoir lu, gardez-le en lieu sûr avec la carte de garantie pour vous y référer ultérieurement.

INSTRUCTIONS DE SÉCURITÉ IMPORTANTES.....	19
Avant l'utilisation .....	22
Entretien .....	23
Parties et fonctions .....	24
Branchement des enceintes .....	26
Branchement par liaison ES-LINK Analog.....	27
Branchements.....	28
Fonctionnement de base .....	31
Notes sur les circuits de protection.....	32
Guide de dépannage .....	32
Caractéristiques techniques.....	33
Schémas avec cotes .....	34

---

ESOTERIC is a trademark of TEAC CORPORATION, registered in the U.S. and other countries.

Les autres noms de société et de produit et les logos présents dans ce document sont des marques de commerce ou déposées de leurs détenteurs respectifs.

## Accessoires fournis

Vérifiez que vous disposez bien de tous les accessoires indiqués ci-dessous. Veuillez contacter le magasin dans lequel vous avez acheté ce produit si l'un de ces accessoires manque ou a été endommagé durant le transport.

Cordon d'alimentation × 1  
Patins en feutre × 4  
Mode d'emploi (ce document) × 1  
Carte de garantie × 1

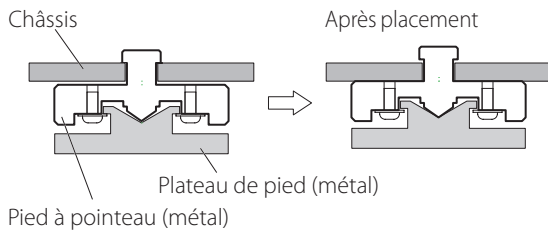
## Précautions d'emploi

- L'unité est très lourde, aussi faites attention de ne pas vous blesser durant l'installation.
- Placez l'unité sur une surface stable près du système audio qui sera utilisé avec elle.
- N'installez pas cette unité dans un lieu qui pourrait chauffer. Cela comprend les endroits exposés directement au soleil ou près d'un radiateur, d'un chauffage, d'une cuisinière ou d'autres appareils chauffants. En outre, ne la placez pas au-dessus d'un amplificateur ou autre équipement dégageant de la chaleur. Cela pourrait causer une décoloration, une déformation ou un mauvais fonctionnement.
- Évitez les endroits sujets aux vibrations ou exposés à une poussière excessive, au froid et à l'humidité.
- Afin de permettre une bonne dissipation de la chaleur, laissez au moins 20 cm entre cette unité et les murs et les autres équipements lors de l'installation.
- Si vous placez cette unité par exemple sur un meuble à étagères, laissez au moins 20 cm de libre au-dessus d'elle et derrière elle. Si vous la placez dans un meuble à étagères, faites attention à la température et utilisez un modèle avec par exemple des ouvertures de ventilation venant compléter les conditions ci-dessus. Ne pas laisser ces espaces peut faire monter la température au risque d'entraîner un incendie.
- Ne l'installez pas debout, face vers le haut ou sur le côté.
- Ne placez rien sur cette unité. Ne la placez pas sur une literie ou un tapis épais. Cela pourrait entraîner la surchauffe de l'unité ou l'endommager.
- La tension du courant fourni à l'unité doit correspondre à la tension imprimée sur sa face arrière. Si vous avez des doutes à ce sujet, consultez un électricien.
- Ne déplacez pas l'unité durant l'utilisation.
- N'ouvrez pas le boîtier de l'unité car cela pourrait endommager le circuit ou entraîner un choc électrique. Si un objet étranger pénètre dans l'unité, consultez votre revendeur.
- Quand vous débranchez la fiche d'alimentation d'une prise secteur, tirez toujours directement sur la fiche. Ne tirez jamais sur le cordon lui-même.

### Note sur les pieds de découplage

Des pieds à pointeau métallique de haute précision sont fixés à la plaque inférieure de cette unité.

Les pieds à pointeau et leur plateau de protection ne sont pas fixés de façon rigide, mais quand l'unité est posée à sa place, elle est soutenue par ces pieds à pointeau, qui dispersent efficacement les vibrations.



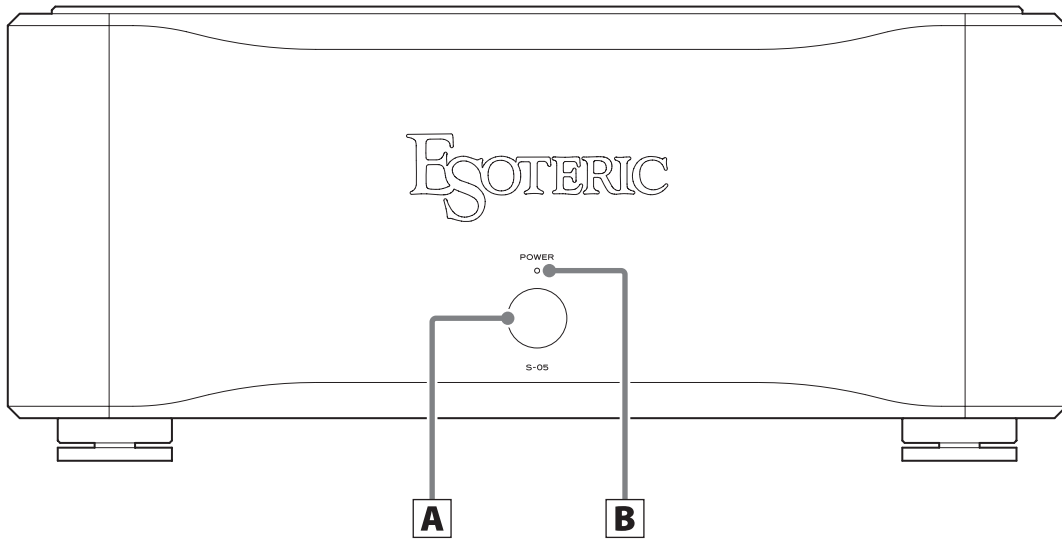
- L'unité est très lourde, aussi faites attention de ne pas vous blesser durant l'installation.
- Fixez les patins de feutre fournis sous les pieds de protection pour éviter de rayer la surface sur laquelle est placée l'unité.

Utilisez un chiffon sec et doux pour nettoyer la surface de l'unité. Pour les taches tenaces, utilisez un chiffon humide soigneusement essoré afin d'éliminer l'excès d'humidité.

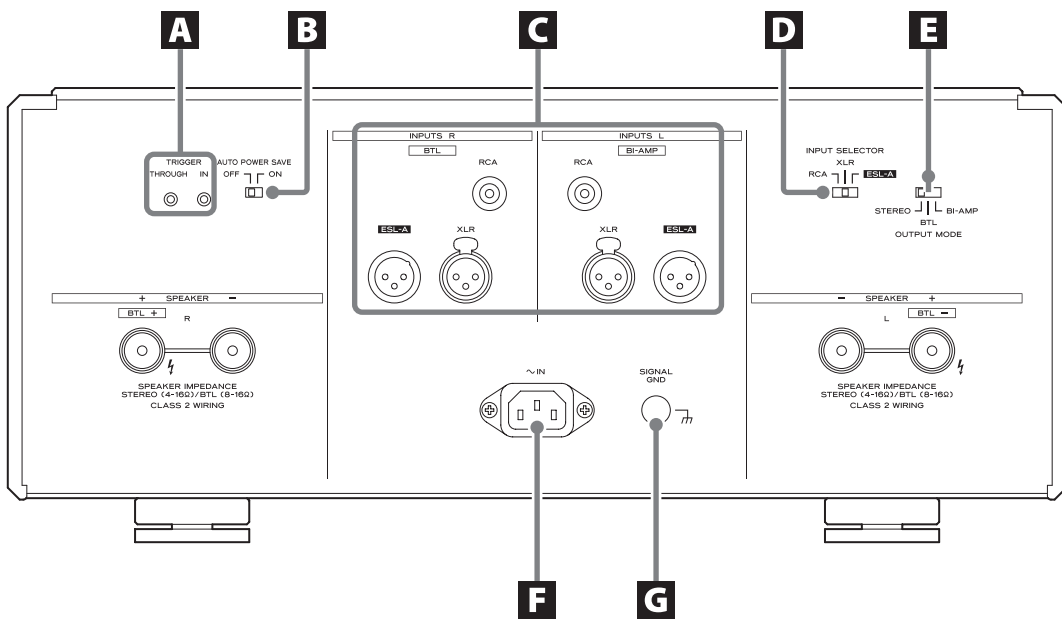
- Ne vaporisez jamais du liquide directement sur cette unité.
- N'utilisez pas de lingettes de nettoyage imbibées de produit chimique, de diluant ou d'autres agents chimiques. Cela pourrait endommager la surface.
- Évitez un contact prolongé de l'unité avec des matériaux caoutchouteux ou plastiques car ceux-ci peuvent endommager le boîtier.

**⚠ Par sécurité, débranchez le cordon d'alimentation de la prise secteur avant tout nettoyage.**

## Avant



## Arrière





**A Touche POWER**

Appuyez sur cette touche pour allumer et éteindre l'unité. Après mise sous tension de l'unité, le voyant d'alimentation clignote et aucun son n'est émis pendant quelques secondes. Attendez que le voyant cesse de clignoter et s'allume fixement.

- Comme cette unité a un transformateur de puissance et des condensateurs de grande taille, le transformateur de puissance peut produire un bruit pendant un court instant après la mise sous tension de l'unité. C'est un comportement normal, pas un mauvais fonctionnement.

**B Voyant d'alimentation POWER**

Il s'allume quand l'unité est sous tension.

**A Prises TRIGGER**

Utilisez-les pour contrôler l'alimentation depuis une source externe.

**Des câbles à mini-fiche mono de 3,5 mm du commerce sont nécessaires pour les connexions. Veuillez préparer des câbles ayant les longueurs convenant aux conditions d'utilisation.**

IN : pour coordonner la mise sous et hors tension de l'unité avec celle de l'appareil connecté.

THROUGH : il est possible de coordonner la mise sous et hors tension de plusieurs unités S-05 avec celle d'un appareil externe en connectant cette prise à l'entrée TRIGGER IN d'un deuxième S-05.

**B Commutateur AUTO POWER SAVE**

Sert à mettre en ou hors service la fonction d'économie automatique d'énergie.

Quand la fonction d'économie automatique d'énergie est en service, s'il n'y a pas d'entrée audio (silence continu) en provenance de la source d'entrée sélectionnée pendant 30 minutes, l'unité s'éteint automatiquement.

- Les sources d'entrée non sélectionnées n'agissent pas sur l'économie automatique d'énergie.

**C Prises d'entrée analogique INPUTS**

Branchez-les aux prises de sortie analogique de préamplis. Réglez le commutateur INPUT SELECTOR en fonction de la prise à utiliser.

**Utilisez des câbles du commerce pour les branchements.**

RCA : câbles RCA

XLR, ESL-A : câbles XLR symétriques

Insérez des fiches XLR symétriques jusqu'à ce que les loquets des prises se verrouillent. Appuyez sur ces loquets et retirez les fiches pour les déconnecter.

- La broche 2 des prises XLR est le « point chaud ». Utilisez des câbles compatibles.
- Insérez les fiches à fond. Ne regroupez pas ces câbles avec les cordons d'alimentation ou les câbles d'enceintes. Cela pourrait dégrader la qualité audio ou causer des parasites.
- Pour les connexions ESL-A, utilisez des câbles XLR symétriques blindés. L'utilisation de câbles non blindés peut être une cause de bruit.

**D Commutateur INPUT SELECTOR**

Utilisez-le pour choisir entre les entrées RCA, XLR et ESL-A.



**Ne le déplacez pas quand l'unité est allumée. Cela pourrait entraîner un bruit fort et soudain risquant d'endommager votre audition ou les enceintes connectées.**

**E Commutateur OUTPUT MODE**

Sert à changer le mode de fonctionnement de l'unité.

STEREO : amplificateur de puissance stéréo

BTL : amplificateur de puissance mono

BI-AMP : bi-amplificateur

**F Prise d'entrée secteur (~IN)**

Branchez le cordon d'alimentation fourni à cette prise d'entrée secteur.

Après avoir terminé tous les autres branchements, insérez la fiche du cordon d'alimentation dans une prise secteur.



**N'utilisez qu'un authentique cordon d'alimentation ESOTERIC. L'utilisation d'autres cordons d'alimentation peut entraîner un incendie ou un choc électrique.**



**Débranchez le cordon de la prise secteur en cas de non-utilisation prolongée de l'unité.**

**G Borne de masse SIGNAL GND**

Utiliser un câble gainé du commerce (par exemple à isolant PVC) pour mettre à la masse des connexions avec les enceintes, le préamplificateur ou d'autres équipements peut améliorer la qualité du son.

- Ce n'est pas une borne de terre de sécurité.

## Notes sur les câbles d'enceintes

- Utilisez des câbles d'enceinte du commerce pour brancher les enceintes.
- Utilisez les câbles d'enceinte les plus courts possibles. Plus le câble est long, plus grande est la valeur de la résistance et plus les performances en matière d'amortissement sont réduites. En outre, la longueur accroît également l'inductance et la capacitance, dégradant la qualité sonore dans les hautes fréquences.
- Utilisez des câbles de même longueur pour les enceintes gauche et droite.

## Comment brancher les câbles d'enceinte

Utilisez des câbles d'enceinte du commerce pour relier le bornier + de l'unité au bornier + de l'enceinte et le bornier – de l'unité au bornier – de l'enceinte.

- Utilisez des enceintes d'au moins 4  $\Omega$  d'impédance. Avec le mode BTL, utilisez des enceintes d'au moins 8  $\Omega$  d'impédance.
- Si l'extrémité dénudée d'un conducteur de câble d'enceinte entre en contact avec un autre câble ou bornier, un court-circuit peut se produire.  
Ne laissez jamais les câbles d'enceinte causer un court-circuit.
- Ne connectez pas plusieurs amplificateurs à une même enceinte.
- Ne regroupez pas des câbles d'enceinte avec des cordons d'alimentation. Cela pourrait entraîner des bruits.

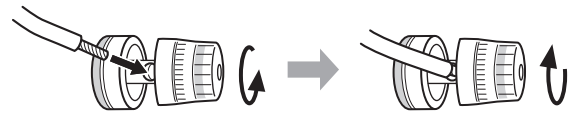
**⚠ La fiche d'alimentation doit toujours être débranchée lors de la connexion des câbles d'enceinte.**

### **⚠ Précautions lors du branchement des câbles d'enceinte**

Branchez correctement les câbles pour qu'ils ne se desserrent pas et que les extrémités des conducteurs ou des borniers ne soient pas exposées au risque d'entrer en contact avec d'autres parties métalliques de l'unité.

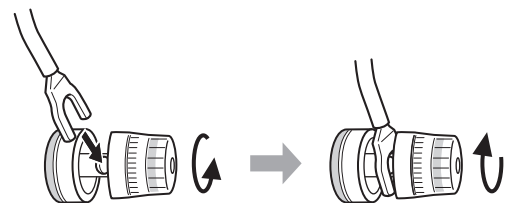
## Si vous utilisez des fils d'enceinte dénudés

Dévissez le capuchon et insérez le conducteur central dans l'orifice du bornier. Revissez ensuite le capuchon.



## Si vous utilisez des cosses à fourche

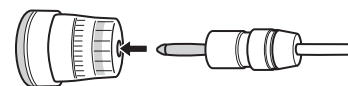
Dévissez le capuchon et insérez la cosse à fourche entre le capuchon et la base du bornier. Revissez ensuite le capuchon.



- Lorsque vous connectez des enceintes avec des cosses à fourche, ces dernières doivent avoir un diamètre intérieur d'au moins 8 mm.

## Si vous utilisez des fiches bananes

Le capuchon étant vissé, insérez la fiche dans l'ouverture à l'extrémité du bornier.



- Lisez attentivement les instructions concernant les fiches bananes que vous utilisez.

### **Remarque concernant le modèle européen**

Conformément aux réglementations de sécurité européennes, le branchement de fiches bananes à des borniers d'enceinte n'est pas autorisé sur les modèles européens.

Les orifices dans lesquels pourraient s'insérer les fiches bananes ont été occultés par des capuchons noirs. Branchez les enceintes à l'aide de câbles dénudés ou de cosses à fourche.

Si un capuchon noir sort de son bornier, remettez-le en place.

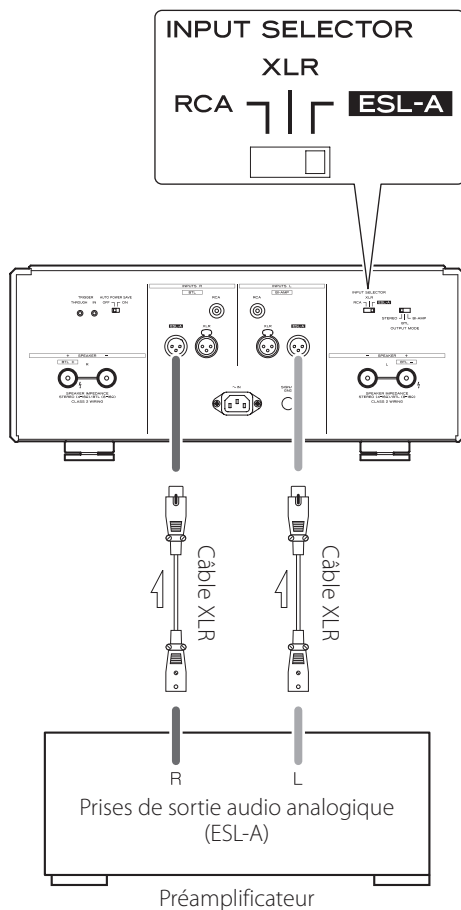
## Présentation d'ES-LINK Analog

La méthode de transmission actuelle utilise les performances de circuits tampons HCLD qui se caractérisent par leur capacité à fournir un courant fort à haut débit. Cela supprime l'impact de l'impédance sur les trajets des signaux, permettant une transmission pure et puissante des signaux.

- Cette connexion se fait au moyen de câbles symétriques ordinaires (à connecteurs XLR). Ces prises ne peuvent toutefois être raccordées qu'à des appareils compatibles, car le format de transmission est particulier.

## Branchement à un préamplificateur par liaison ES-LINK Analog

Lorsque le mode de sortie est réglé sur STEREO



Utilisez un câble XLR pour raccorder la prise de sortie audio analogique (ESL-A) d'un préampli à la prise d'entrée ES-LINK Analog (ESL-A) de cette unité.

- Réglez le commutateur INPUT SELECTOR de cette unité sur ESL-A.
- Lorsque le mode de sortie est réglé sur BTL ou BI-AMP, ne connectez les câbles XLR qu'aux prises d'entrée BTL ou BI-AMP.
- Les connexions XLR et RCA normales sont également possibles. Sélectionnez le type de connexion qui apporte la qualité audio que vous préférez.

### ATTENTION

- La prise d'entrée ESL-A de cette unité est de type mâle pour éviter une connexion accidentelle par confusion avec la prise d'entrée XLR.
- Pour les connexions ESL-A, utilisez des câbles XLR symétriques blindés. L'utilisation de câbles non blindés peut être une cause de bruit.

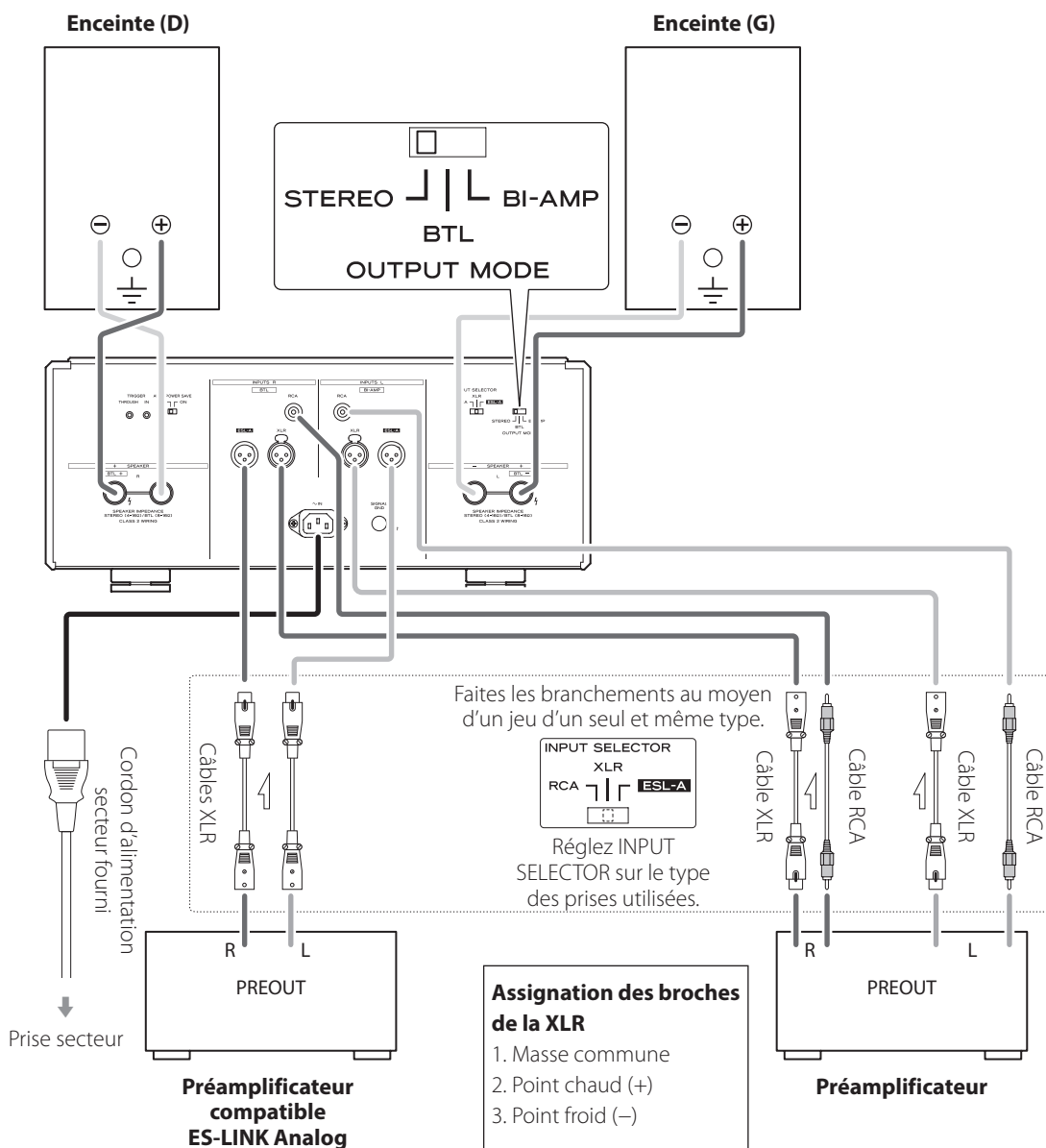
## ⚠️ Précautions lors des branchements

Faites tous les autres branchements avant de brancher les fiches d'alimentation dans les prises secteur. Débranchez toujours la fiche d'alimentation de cette unité avant de débrancher quoi que ce soit d'autre.

Lisez les modes d'emploi de tous les appareils qui seront connectés et suivez leurs instructions.

## Utilisation en mode de sortie STEREO

Réglez le commutateur OUTPUT MODE sur STEREO.



## Utilisation en mode de sortie BTL

Cette unité peut être utilisée comme amplificateur mono.  
Réglez les commutateurs OUTPUT MODE des unités sur BTL pour les canaux L et R.

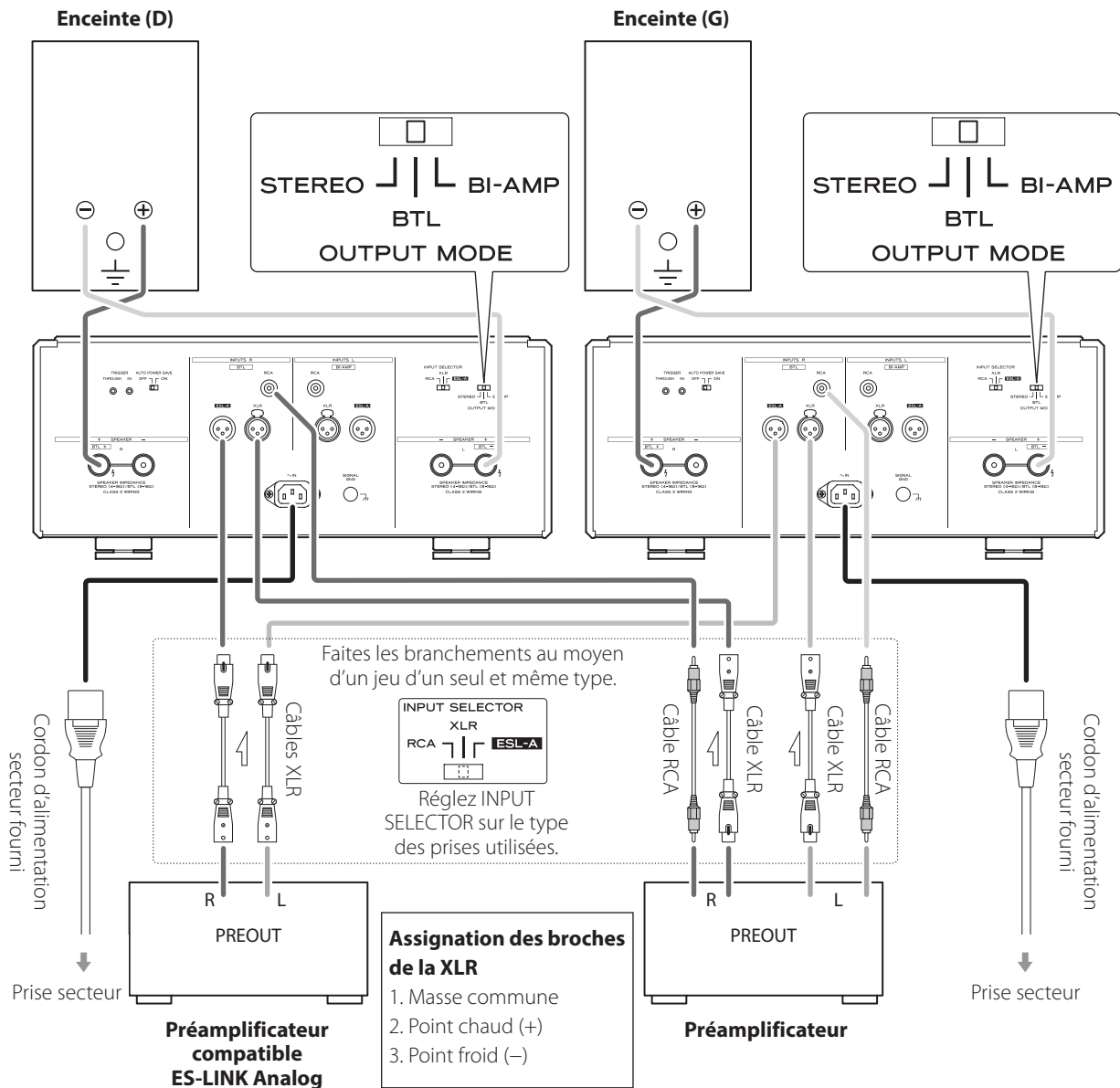
**En mode BTL, utilisez deux unités pour la lecture stéréo.**

### NOTE

Le son entrant par les prises audio analogiques INPUTS L sera produit par les borniers SPEAKER L et R de polarité opposée.

### ATTENTION

- Connectez les enceintes à SPEAKER R + (BTL +) et SPEAKER L + (BTL -).
- Ne branchez rien aux prises analogiques INPUTS L de l'unité. Cela pourrait entraîner des dommages.



## Utilisation en mode de sortie BI-AMP

Cette unité peut être utilisée comme bi-amplificateur mono. Réglez les commutateurs OUTPUT MODE des unités sur BI-AMP pour les canaux L et R.

### En mode BI-AMP, utilisez deux unités pour la lecture stéréo.

#### Qu'est-ce que la bi-amplification ?

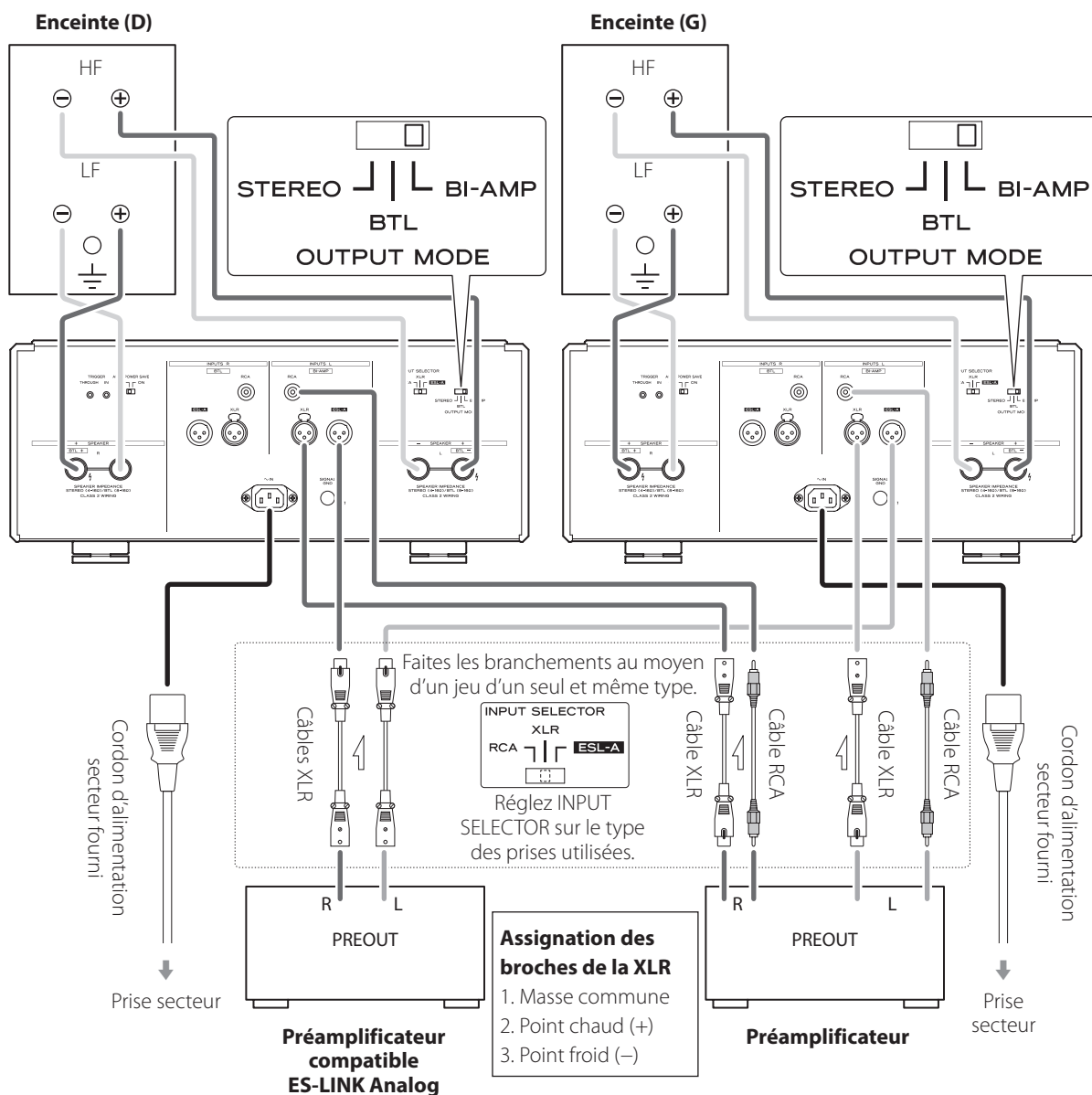
Cette méthode fait fonctionner les amplificateurs indépendamment pour les haut-parleurs des basses fréquences et des hautes fréquences.

#### NOTE

Le son entrant par les prises analogiques INPUTS L sera produit par les borniers SPEAKER L et R.

#### ⚠ ATTENTION

- La connexion pour bi-amplification n'est pas possible avec des enceintes qui n'ont pas de borniers distincts pour les basses fréquences (LF) et les hautes fréquences (HF).
- Pour des connexions bi-amplifiées, retirez les cavaliers reliant les borniers des haut-parleurs et supprimez les connexions entre les borniers ⊕ et ⊖ des haut-parleurs.
- Ne branchez rien aux prises audio analogiques INPUTS R de l'unité. Cela pourrait entraîner des dommages.

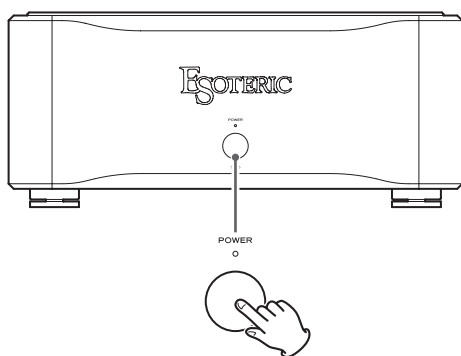


# Fonctionnement de base

Afin de protéger les enceintes, suivez les étapes ci-dessous lors de la mise sous et hors tension du système auquel cette unité est connectée.

## Mise sous tension

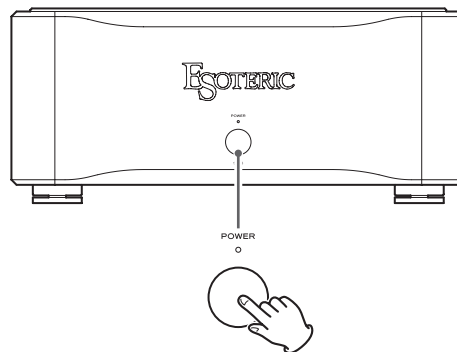
- 1** Allumez la source audio.
- 2** Mettez le préampli sous tension et réduisez son volume au minimum.
- 3** Appuyez sur la touche POWER pour allumer cette unité.



Après mise sous tension de l'unité, le voyant d'alimentation clignote et aucun son n'est émis pendant quelques secondes. Attendez que le voyant d'alimentation cesse de clignoter et reste allumé avant de régler le volume et d'effectuer d'autres opérations.

## Mise hors tension

- 1** Si un appareil source est en cours de lecture, arrêtez la lecture.
- 2** Réduisez le volume du préamplificateur au minimum.
- 3** Éteignez cette unité.



- 4** Éteignez le préamplificateur.
- 5** Éteignez la source audio.

Cette unité intègre un circuit de protection contre la surcharge, un circuit de protection contre la surchauffe et un circuit de protection contre le courant continu.

Lorsqu'une anomalie est détectée, le voyant d'alimentation clignote en rouge de façon répétée pendant 30 secondes comme représenté ci-dessous. Ensuite, le circuit de protection s'active et l'alimentation est coupée.

### Surcharge détectée



### Surchauffe du canal gauche détectée



### Surchauffe du canal droit détectée



### Surchauffe des canaux gauche et droit détectée



■ Allumé

### Courant continu détecté

Pas d'indication d'erreur

## Contre-mesures

### Surcharge détectée

Un court-circuit peut s'être produit avec les câbles d'enceinte +/-. Débranchez le cordon d'alimentation et vérifiez les connexions avec les enceintes.

### Surchauffe du canal gauche détectée

### Surchauffe du canal droit détectée

### Surchauffe des canaux gauche et droit détectée

La température interne est devenue trop élevée. Éteignez l'unité et attendez un peu que la température ait baissé ou changez les conditions d'installation pour améliorer la ventilation.

### Courant continu détecté

Après la détection, l'unité s'éteint immédiatement sans indiquer d'erreur.

Un circuit interne pouvant présenter un dysfonctionnement, contactez le revendeur chez qui vous avez acheté cette unité.

Si le voyant continue de clignoter même après élimination des causes probables, contactez le magasin dans lequel vous avez acheté l'unité.

Si vous rencontrez un problème avec ce produit, veuillez prendre un moment pour lire les informations suivantes avant de solliciter une réparation.

Si ce produit ne fonctionne toujours pas correctement, contactez le revendeur chez qui vous l'avez acheté.

### L'unité ne s'allume pas.

- ➔ Insérez la fiche d'alimentation dans une prise secteur.

### L'unité s'éteint automatiquement.

- ➔ C'est la fonction d'économie automatique d'énergie qui a entraîné son extinction. Appuyez sur la touche POWER de l'unité principale pour l'allumer.
- ➔ Changez si nécessaire le réglage de la fonction d'économie automatique d'énergie (page 25).

### Aucun son n'est produit.

- ➔ Allumez cette unité.
- ➔ Vérifiez que le préamplificateur est allumé. Avant d'allumer le préamplificateur, éteignez cette unité.
- ➔ Vérifiez qu'un signal sort du préamplificateur.
- ➔ Vérifiez les connexions entre cette unité, le préamplificateur et l'enceinte, ainsi qu'entre la source audio et le préamplificateur.
- ➔ Vérifiez que la bonne entrée est sélectionnée sur le préamplificateur.
- ➔ Vérifiez que la bonne entrée est sélectionnée sur cette unité.
- ➔ Montez le volume du préamplificateur.

### Le voyant d'alimentation clignote de façon répétée en rouge selon une séquence irrégulière.

- ➔ Un circuit de protection est activé. Éteignez l'unité et éliminez la cause du problème (page 32).

### La position du son dans la stéréo est anormale.

- ➔ Vérifiez qu'aucune des enceintes n'est branchée au moyen d'un câble de connexion dont les pôles +/- sont inversés.



## Performances audio

Puissance nominale	30 W + 30 W (8 $\Omega$ ) 60 W + 60 W (4 $\Omega$ )
Réponse en fréquence	5 Hz – 100 kHz (+0 dB, –3 dB, 8 $\Omega$ )
Rapport signal/bruit	102 dB (IHF-A, XLR)
Distorsion harmonique totale	0,007 % (1 kHz, 8 $\Omega$ , 30 W)
Impédance compatible	4 $\Omega$ – 16 $\Omega$ En mode BTL 8 $\Omega$ – 16 $\Omega$
Gain	28,5 dB
Facteur d'amortissement	500
Prises d'entrée	
ESL-A	1 paire
RCA	1 paire
XLR	1 paire
Impédance d'entrée	
RCA	47 k $\Omega$
XLR	100 k $\Omega$
Prises Trigger	
IN	1
THROUGH	1

## Générales

Alimentation électrique	
Modèle Europe	CA 230 V, 50 Hz
Modèle USA/Canada	CA 120 V, 60 Hz
Consommation électrique	250 W (240 W en l'absence de signal)
Dimensions externes (L x H x P, saillies incluses)	445 x 191 x 444 mm
Poids	30,7 kg
Température de fonctionnement	+5 °C à +35 °C
Hygrométrie de fonctionnement	5 % à 85 % (sans condensation)
Température de stockage	–20 °C à +55 °C

## Accessoires fournis

Cordon d'alimentation	× 1
Patins en feutre	× 4
Mode d'emploi (ce document)	× 1
Carte de garantie	× 1

- Caractéristiques techniques et aspect sont sujets à changements sans préavis.
- Le poids et les dimensions sont des valeurs approchées.
- Les illustrations de ce mode d'emploi peuvent légèrement différer des modèles de production.



# INSTRUCCIONES IMPORTANTES DE SEGURIDAD



**CAUTION**  
**RISK OF ELECTRIC SHOCK**  
**DO NOT OPEN**



PRECAUCIÓN: PARA REDUCIR EL RIESGO DE DESCARGA ELÉCTRICA, NO quite la cubierta (NI EL PANEL POSTERIOR). NO HAY PIEZAS INTERNAS QUE EL USUARIO PUEDA REPARAR. PARA REPARACIONES, REMÍTASE A UN SERVICIO TÉCNICO CUALIFICADO.



El símbolo del rayo acabado en flecha dentro de un triángulo equilátero alerta al usuario de la presencia de un "voltaje peligroso" sin aislar dentro de la carcasa del producto que puede ser de magnitud suficiente como para constituir riesgo de descarga eléctrica para las personas.



El signo de exclamación dentro de un triángulo equilátero alerta al usuario de la presencia de importantes instrucciones de funcionamiento y mantenimiento en la literatura que acompaña al aparato.

**AVISO: PARA EVITAR RIESGO DE INCENDIO O DESCARGAS ELÉCTRICAS, NO EXPONGA ESTE APARATO A LA LLUVIA NI A LA HUMEDAD.**

## PRECAUCIÓN

- NO quite las carcasas externas ni deje al aire la electrónica. ¡EN EL INTERIOR NO HAY PIEZAS QUE EL USUARIO PUEDA MANIPULAR!
- SI EXPERIMENTA PROBLEMAS CON ESTE PRODUCTO, PÓNGASE EN CONTACTO CON EL ESTABLECIMIENTO DONDE ADQUIRIÓ LA UNIDAD PARA SOLICITAR SERVICIO TÉCNICO. NO UTILICE EL APARATO HASTA QUE HAYA SIDO REPARADO.
- EL USO DE CONTROLES, AJUSTES O PROCEDIMIENTOS QUE NO SEAN LOS ESPECIFICADOS EN ESTE MANUAL PUEDE CAUSAR EXPOSICIÓN A RADIACIONES PELIGROSAS.

- 1) Lea estas instrucciones.
- 2) Conserve estas instrucciones.
- 3) Cumpla con lo indicado en los avisos.
- 4) Siga todas las instrucciones.
- 5) No utilice este aparato cerca del agua.
- 6) Límpielo solo con un trapo seco.
- 7) No bloquee ninguna de las ranuras de ventilación. Instale este aparato de acuerdo con las instrucciones del fabricante.
- 8) No instale este aparato cerca de fuentes de calor como radiadores, calentadores, hornos u otros aparatos (incluyendo amplificadores) que produzcan calor.
- 9) No elimine el sistema de seguridad que supone el enchufe polarizado o con toma de tierra. Un enchufe polarizado tiene dos bornes, uno más ancho que el otro. Uno con toma de tierra tiene dos bornes iguales y una tercera lámina para la conexión a tierra. El borne ancho o la lámina se incluyen para su seguridad. Si el enchufe que venga con la unidad no encaja en su salida de corriente, haga que un electricista cambie su salida anticuada.

- 10) Evite que el cable de corriente quede de forma que pueda ser pisado o quedar retorcido o aplastado, especialmente en los enchufes, receptáculos o en el punto en el que salen del aparato.
- 11) Use solo accesorios/complementos especificados por el fabricante.



- 12) Utilice este aparato solo con un soporte, trípode o bastidor especificado por el fabricante o que se venda con el propio aparato. Cuando utilice un bastidor con ruedas, tenga cuidado al mover la combinación de aparato/bastidor para evitar que vuelque y puedan producirse daños.
- 13) Desconecte este aparato de la corriente durante las tormentas eléctricas o cuando no lo vaya a usar durante un periodo de tiempo largo.
- 14) Dirija cualquier posible reparación solo al servicio técnico oficial. Este aparato deberá ser reparado si se ha dañado de alguna forma, como por ejemplo si el cable de corriente o el enchufe están rotos, si ha sido derramado algún líquido sobre la unidad o algún objeto ha sido introducido en ella, si ha quedado expuesto a la lluvia o la humedad, si no funciona normalmente o si ha caído al suelo en algún momento.

- Este aparato libera corriente nominal no válida para el funcionamiento a través de la toma de corriente, aún cuando el interruptor de encendido y activación (POWER o STANDBY/ON) no esté en la posición de encendido (ON).
- El enchufe que se conecta a la red es el dispositivo de desconexión, por lo que deberá permanecer siempre en perfecto estado de uso.
- Deberá llevar cuidado si utiliza auriculares con este producto, ya que una excesiva presión sonora (volumen) procedente de los mismos puede causar pérdidas de audición.

## AVISO

Los productos con construcción de Clase **I** están equipados con un cable de alimentación que tiene conexión de tierra. El cable de estos productos deberá conectarse a una toma de corriente que tenga conexión de protección de tierra.

**EN EE. UU./CANADÁ, UTILICE SOLO ALIMENTACIÓN CON CORRIENTE DE 120 V.**

## PRECAUCIÓN

- No exponga este aparato a salpicaduras ni goteras.
- No coloque objetos que contengan líquidos, como por ejemplo jarrones, sobre el aparato.
- No instale este aparato en lugares cerrados tales como estanterías o similares.
- Este aparato debe situarse lo suficientemente cerca de una toma de electricidad como para poder alcanzar fácilmente el cable de corriente en cualquier momento.
- Si el producto utiliza pilas (esto incluye las pilas instaladas y los "packs" de pilas), se evitará su exposición directa al sol, al fuego o a cualquier otra fuente de calor excesivo.
- **PRECAUCIÓN** con los productos que emplean baterías de litio reemplazables: existe peligro de explosión si la batería se reemplaza por otra de tipo incorrecto. Reemplácela sólo por otra igual o de tipo equivalente.

## Declaración de conformidad del suministrador

Número de modelo: S-05

Marca comercial: ESOTERIC

Parte responsable: 11 Trading Company, LLC

Dirección: 3502 Woodview Trace #200 Indianapolis, IN 46268 U.S.A.

URL: <https://11tradingcompany.com/contact-us/>

Este dispositivo cumple con el apartado 15 de las Normas de la FCC.

Su funcionamiento está sujeto a las dos siguientes condiciones:

- 1) Este dispositivo no puede causar interferencias perjudiciales
- 2) Este dispositivo debe aceptar cualquier interferencia recibida, incluidas interferencias que puedan causar anomalías de funcionamiento.

### Información

Se ha comprobado que este equipo cumple con los límites establecidos para los dispositivos digitales de Clase B, de acuerdo con el apartado 15 de las Normas de la FCC. Estos límites están diseñados para proporcionar una protección razonable contra interferencias perjudiciales en instalaciones residenciales. Este equipo genera, utiliza y puede irradiar energía de radiofrecuencia y, si no se instala y se utiliza de acuerdo con las instrucciones, puede causar interferencias perjudiciales en las comunicaciones por radio. Sin embargo, no se puede garantizar que dichas interferencias no se produzcan en instalaciones particulares. Si este equipo causa interferencias perjudiciales en la recepción de radio o televisión, que se comprueban apagando y encendiendo el equipo, se recomienda al usuario que intente corregirla mediante una o varias de las siguientes medidas:

- Reoriente o recolocque el equipo y/o la antena receptora.
- Aumente la separación entre el equipo y el receptor.
- Conecte el equipo a una toma de electricidad situada en un circuito eléctrico diferente al del receptor.
- Consulte al distribuidor o solicite ayuda a un técnico de radio/TV con experiencia.

### PRECAUCIÓN

Cualquier cambio o modificación efectuada en este equipo que no haya sido expresamente aprobada por la parte responsable del cumplimiento de los requisitos exigidos podría invalidar el derecho del usuario a utilizar el equipo.



## Modelo para Europa



Este producto cumple con las exigencias de las directivas europeas y con los reglamentos de la Comisión Europea.

## Para consumidores europeos

### Deshacerse de aparatos eléctricos, electrónicos, pilas/baterías y acumuladores

- a) Todos los aparatos eléctricos y electrónicos, y pilas/baterías y acumuladores gastados, deben ser eliminados separados del resto de basura común y únicamente en los "puntos limpios" o bajo los procedimientos especificados por el gobierno o autoridades municipales locales.
- b) Con la eliminación correcta de los equipos eléctricos y electrónicos, y de pilas/baterías y acumuladores gastados, estará ayudando a conservar recursos muy valiosos y a evitar los posibles efectos negativos en la salud humana y en el medio ambiente.
- c) La eliminación incorrecta de los equipos eléctricos y electrónicos, y pilas/baterías y acumuladores, puede producir efectos muy dañinos en el medio ambiente y en la salud humana a causa de las sustancias peligrosas que pueden encontrarse en estos equipos.
- d) El símbolo de Eliminación de Aparatos Eléctricos y Electrónicos (WEEE en inglés), identificado por cubos de basura con ruedas tachados, indican que los equipos eléctricos y electrónicos, y las pilas/baterías y acumuladores, deben ser eliminados de forma totalmente independiente con respecto a la basura doméstica. Si una pila/batería o un acumulador contienen más cantidad de los valores especificados de plomo (Pb), mercurio (Hg), y/o cadmio (Cd) según está definido en la Directiva relativa a las pilas (2006/66/CE, 2013/56/UE), entonces los símbolos químicos correspondientes a estos elementos estarán indicados debajo del símbolo WEEE.
- e) Existen sistemas para la eliminación y recogida a disposición del usuario final. Si necesita más información sobre cómo deshacerse de aparatos eléctricos y electrónicos antiguos, así como de pilas/baterías y acumuladores, póngase en contacto con su ayuntamiento, con la correspondiente empresa del servicio de recogida de residuos o con el establecimiento donde adquirió ese aparato.



# Índice

Gracias por adquirir este producto ESOTERIC.  
Lea este manual atentamente para obtener el mejor rendimiento de este producto. Después de leerlo, guárdelo en un lugar seguro, junto con la tarjeta de la garantía, para futuras consultas.

INSTRUCCIONES IMPORTANTES DE SEGURIDAD .....	35
Antes de su utilización .....	38
Mantenimiento .....	39
Nombres y funciones de las partes .....	40
Conexión de los altavoces .....	42
Conexión a través de ES-LINK Analog .....	43
Conexiones .....	44
Funcionamiento básico .....	47
Notas sobre los circuitos de protección .....	48
Solución de problemas .....	48
Especificaciones .....	49
Dibujos con las dimensiones .....	50

---

ESOTERIC is a trademark of TEAC CORPORATION, registered in the U.S. and other countries.

Otros nombres de compañías, de productos y los logos que aparecen en este documento son marcas comerciales o marcas comerciales registradas de sus respectivos propietarios.

## Accesorios incluidos

Compruebe que todos los accesorios enumerados a continuación están incluidos en la caja. Por favor, póngase en contacto con el establecimiento donde adquirió este producto si falta cualquiera de estos accesorios o si alguno ha sufrido desperfectos durante el transporte.

Cable de corriente × 1  
Almohadillas de fieltro × 4  
Manual del usuario (este documento) × 1  
Tarjeta de garantía × 1

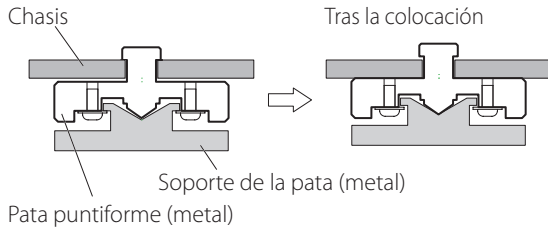
## Precauciones de uso

- Esta unidad pesa bastante, por lo que deberá tener cuidado para evitar lesiones durante la instalación.
- Coloque la unidad en un lugar estable cerca del equipo de audio con el que vaya a utilizarla.
- No instale esta unidad donde pueda calentarse. Esto incluye lugares que estén expuestos a la luz solar directa o cercanos a un radiador, calefactor, estufa o cualquier otro aparato de calefacción. Tampoco coloque esta unidad encima de un amplificador u otro equipo que genere calor. Si lo hace, esta unidad podría decolorarse, deformarse o sufrir una avería.
- Evite lugares que estén sujetos a vibraciones o expuestos a excesivo polvo, frío o humedad.
- Para permitir una buena disipación del calor, deje al menos 20 cm (8 pulgadas) entre esta unidad y las paredes u otros componentes del equipo cuando la instale.
- Cuando coloque esta unidad en un rack, por ejemplo, deje libres al menos 20 cm (8 pulgadas) por encima y por detrás de ella. Cuando la coloque en un rack, tenga en cuenta la temperatura y utilice uno con aberturas de ventilación, por ejemplo, como medida adicional a las condiciones indicadas anteriormente. Si no deja estos espacios libres, el calor puede acumularse en su interior y provocar fuego.
- No la instale mirando hacia arriba ni de lado.
- No coloque nada encima de esta unidad. No la coloque sobre una cama, ropa de cama o una moqueta o alfombra gruesa. Si lo hace, podría causar un sobrecalentamiento a la unidad o dañarla.
- El voltaje suministrado a la unidad deberá ser el mismo que está impreso en su parte posterior. Si tiene dudas al respecto, consulte a un electricista.
- No mueva la unidad durante su utilización.
- No abra la carcasa de la unidad porque podría causar daños en los circuitos o una descarga eléctrica. En caso de que se introduzca un objeto extraño en la unidad, contacte con su distribuidor.
- Cuando desenchufe el cable de corriente de la toma de electricidad, tire siempre directamente del conector. Nunca tire del cable.

### Nota sobre las patas puntiformes

Esta unidad tiene unas patas puntiformes metálicas de alta precisión que están sujetas a la placa inferior.

Las patas puntiformes y sus soportes están sueltos, pero cuando se coloca la unidad sobre una superficie, son estas patas puntiformes las que soportan la unidad, dispersando de manera efectiva las vibraciones.



- Esta unidad pesa bastante, por lo que deberá tener cuidado para evitar lesiones durante la instalación.
- Coloque las almohadillas de fieltro incluidas en la parte inferior de los soportes de las patas para evitar rayar la superficie sobre la que se sitúa la unidad.

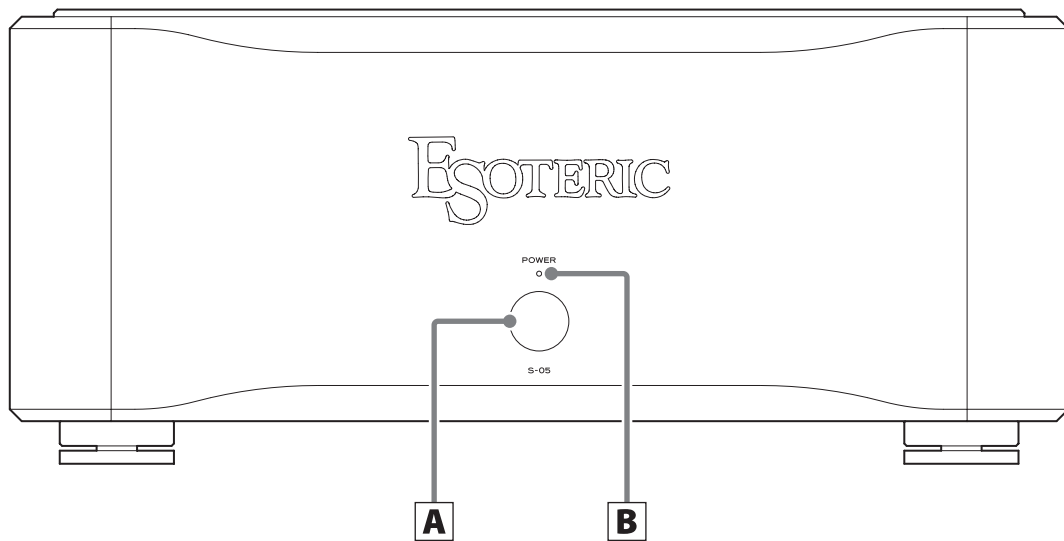
Utilice un paño suave y seco para limpiar la superficie de la unidad. Para manchas difíciles, use un paño húmedo que haya sido bien escurrido para eliminar el exceso de líquido.

- Nunca pulverice líquido directamente sobre esta unidad.
- No utilice gamuzas ni paños impregnados con productos químicos, ni disolvente u otras sustancias químicas, ya que pueden dañar la superficie de la unidad.
- Evite que materiales de goma o de plástico estén en contacto con la unidad durante largos períodos de tiempo, ya que pueden dañar la carcasa.

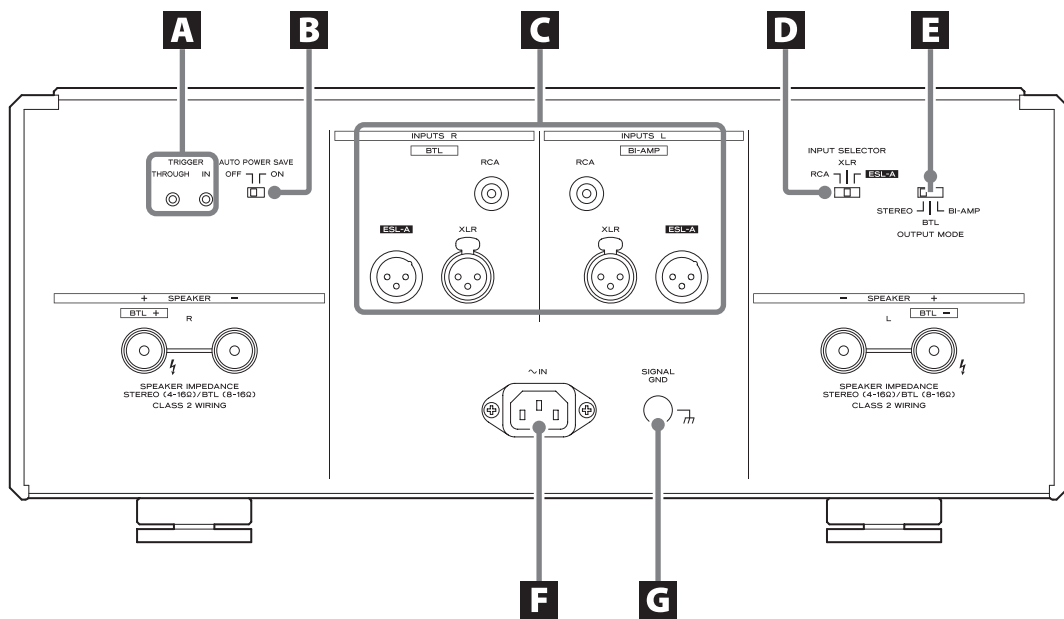
**⚠ Por seguridad, desenchufe el cable de corriente de la toma de electricidad antes de proceder a la limpieza.**

# Nombres y funciones de las partes

## Panel frontal



## Panel posterior





**A Botón POWER**

Púselo para encender y apagar la unidad. Después de encender la unidad, el indicador de alimentación parpadeará y no se emitirá sonido durante unos segundos. Espere hasta que el indicador deje de parpadear y permanezca iluminado fijo.

- Como esta unidad tiene condensadores y un transformador de alimentación de gran tamaño, el transformador de alimentación puede hacer ruido durante un tiempo breve después de encender la unidad. Esto es normal, no es una avería.

**B Indicador de alimentación**

Se ilumina cuando la unidad está encendida.

**A Terminales TRIGGER**

Úselos para controlar la alimentación desde una fuente externa.

**Para estas conexiones se necesitan cables de minijack mono (3,5 mm) de los disponibles en establecimientos comerciales. Prepare cables con la longitud adecuada según las condiciones de uso.**

IN: Enciende/apaga la unidad en coordinación con el dispositivo conectado.

THROUGH: Se pueden coordinar varias unidades S-05 con la alimentación de un dispositivo externo conectando este terminal al terminal TRIGGER IN de un segundo S-05.

**B Selector AUTO POWER SAVE**

Utilícelo para activar y desactivar la función de ahorro de energía automático. Cuando la función de ahorro de energía automático esté activada, si durante 30 minutos no hay ninguna entrada de audio (silencio continuo) procedente de la fuente de entrada seleccionada, la unidad se apagará automáticamente.

- Las fuentes de entrada que no están seleccionadas no influyen sobre la función de ahorro de energía automático.

**C Terminales de entrada analógicos INPUTS**

Conecte estos terminales a los terminales de salida analógicos de preamplificadores. Ajuste el selector INPUT SELECTOR para elegir el terminal que vaya utilizar.

**Utilice cables de los disponibles en establecimientos comerciales para las conexiones.**

RCA: cables RCA

XLR, ESL-A: cables XLR balanceados

Inserte los conectores XLR balanceados hasta que las palancas de los terminales queden bloqueadas. Presione estas palancas y tire de los conectores para desconectarlos.

- Los terminales XLR tienen el pin 2 configurado como "VIVO" (POSITIVO). Utilice cables compatibles.
- Inserte los conectores completamente. No agrupe ni junte estos cables con los cables de corriente ni con los cables de altavoces. Hacerlo podría degradar la calidad del sonido o causar ruido.
- Para las conexiones ESL-A, utilice cables XLR balanceados blindados (apantallados). El uso de cables que no sean blindados puede causar ruido.

**D Selector INPUT SELECTOR**

Se utiliza para cambiar entre las entradas RCA, XLR y ESL-A.



**No cambie este selector cuando la unidad esté encendida. Si lo hace, podría causar un ruido repentino a alto volumen capaz de dañar sus oídos o los altavoces conectados.**

**E Selector OUTPUT MODE**

Se utiliza para establecer el modo de funcionamiento (modo de salida) de la unidad.

STEREO: etapa de potencia estéreo

BTL: etapa de potencia mono

BI-AMP: etapa de potencia para biamplificación

**F Entrada para el cable de corriente alterna (~IN)**

Conecte en esta entrada el cable de corriente suministrado.

Termine todas las conexiones antes de enchufar el cable de corriente a una toma de electricidad.



**Utilice solamente un cable de corriente ESOTERIC original. El uso de otros cables de corriente puede provocar fuego o descargas eléctricas.**



**Desenchufe el cable de corriente de la toma de electricidad si no va a utilizar la unidad durante un largo periodo de tiempo.**

**G Terminal de tierra SIGNAL GND**

La utilización de un cable con aislamiento (por ejemplo, con aislamiento de PVC) de los disponibles en establecimientos comerciales para crear conexiones de tierra con los altavoces, el preamplificador u otros equipos podría mejorar la calidad del sonido.

- Este terminal no es una toma de tierra de seguridad eléctrica.

## Notas sobre los cables de altavoz

- Utilice cables de altavoz de los disponibles en establecimientos comerciales para conectar los altavoces.
- Utilice los cables de altavoz más cortos que sea posible. Cuanto más largo es el cable, mayor es el valor de resistencia y más se reduce el factor de amortiguamiento. Además, la longitud también aumenta la inductancia y la capacitancia, degradando la calidad de sonido de las frecuencias agudas.
- Use cables de igual longitud para los altavoces izquierdo y derecho.

## Cómo conectar los cables de los altavoces

Utilice cables de altavoz de los disponibles en establecimientos comerciales para conectar el terminal + de la unidad al terminal + del altavoz y el terminal – de la unidad al terminal – del altavoz.

- Utilice altavoces con al menos  $4 \Omega$  de impedancia. Cuando utilice el modo BTL, use altavoces con al menos  $8 \Omega$  de impedancia.
- Si la punta expuesta (es decir, con los hilos del cable al aire) del cable de un altavoz entra en contacto con otro cable o terminal, se puede producir un cortocircuito. Nunca permita que los cables de altavoz causen un cortocircuito.
- No conecte más de un amplificador a un altavoz.
- No agrupe ni junte los cables de los altavoces con los cables de corriente. Si lo hace, puede originarse ruido.

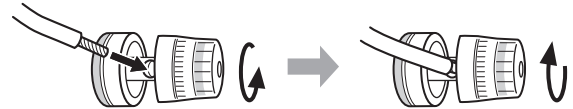
**⚠ El cable de corriente siempre debe estar desenchufado al conectar los cables de los altavoces.**

### **⚠ Precauciones al conectar los altavoces**

Conecte los cables de manera segura para que no se suelten y que los hilos del cable o los terminales en sus extremos no queden expuestos y no entren en contacto con otras partes metálicas o con la unidad.

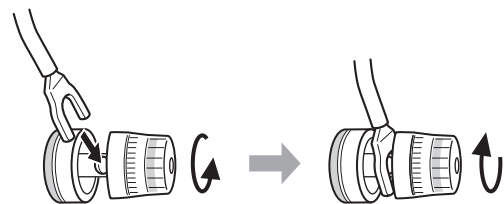
## Cuando se utilicen cables de altavoz pelados (hilos conductores al aire)

Afloje la cubierta e inserte los hilos del cable en el orificio del terminal. A continuación, apriete la cubierta.



## Cuando se utilicen conectores de horquilla

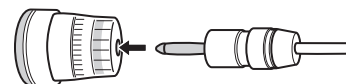
Afloje la cubierta e inserte el conector de horquilla entre la cubierta y la base del terminal. A continuación, apriete la cubierta.



- Cuando conecte altavoces con conectores de horquilla, dichos conectores deberán tener un diámetro interior de al menos 8 mm.

## Cuando se utilicen clavijas de tipo banana

Con la cubierta apretada, inserte la clavija en la abertura que hay en el extremo del terminal.



- Lea atentamente las instrucciones de las clavijas de tipo banana que esté utilizando.

### **Advertencia sobre el modelo para Europa**

De acuerdo con las regulaciones de seguridad europeas, no está permitido la conexión de clavijas de tipo banana en los modelos para Europa.

Los orificios en los que podrían introducirse las clavijas de tipo banana están cubiertos con tapas negras. Conecte los altavoces con los cables pelados o con conectores de horquilla.

Si una tapa negra llegara a desprenderse de su terminal, vuelva a colocarla en su posición original.

# Conexión a través de ES-LINK Analog

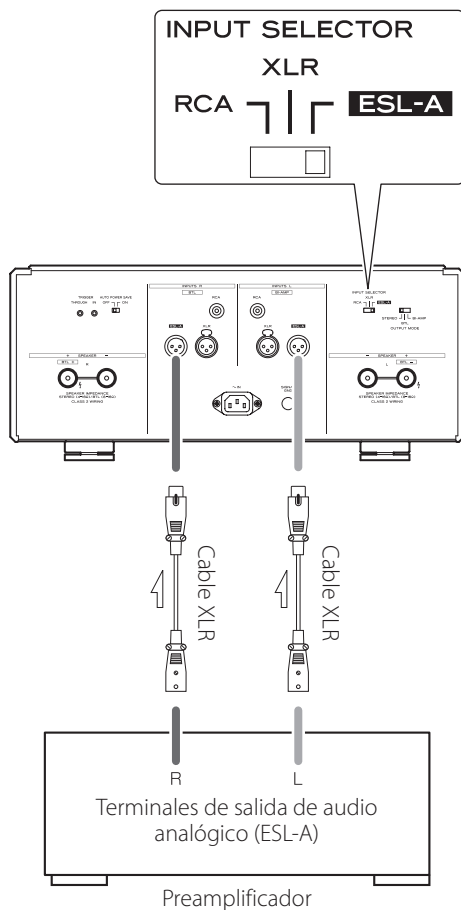
## Acerca de ES-LINK Analog

El método de transmisión de corriente utiliza el rendimiento de circuitos con búfer HCLD que tienen la capacidad de suministrar altos valores de corriente a gran velocidad. Esto suprime el impacto de la impedancia en los recorridos de las señales, lo que permite una transmisión pura y potente de las señales.

- Para la conexión se utilizan cables balanceados normales (con conectores XLR). Sin embargo, estos terminales solo se pueden utilizar con dispositivos compatibles, ya que el formato de transmisión es exclusivo.

## Conexión a un preamplificador a través de ES-LINK Analog

Cuando el modo de salida (OUTPUT MODE) sea STEREO



Utilice un cable XLR para conectar el terminal de salida de audio analógico (ESL-A) de un preamplificador al terminal de entrada ES-LINK Analog (ESL-A) de esta unidad.

- Ajuste el selector INPUT SELECTOR de esta unidad en ESL-A.
- Cuando el modo de salida sea BTL o BI-AMP, conecte cables XLR solo a los terminales de entrada BTL o BI-AMP.
- También son posibles conexiones normales XLR y RCA. Seleccione el tipo de conexión que proporcione la calidad de audio que prefiera.

## ATENCIÓN

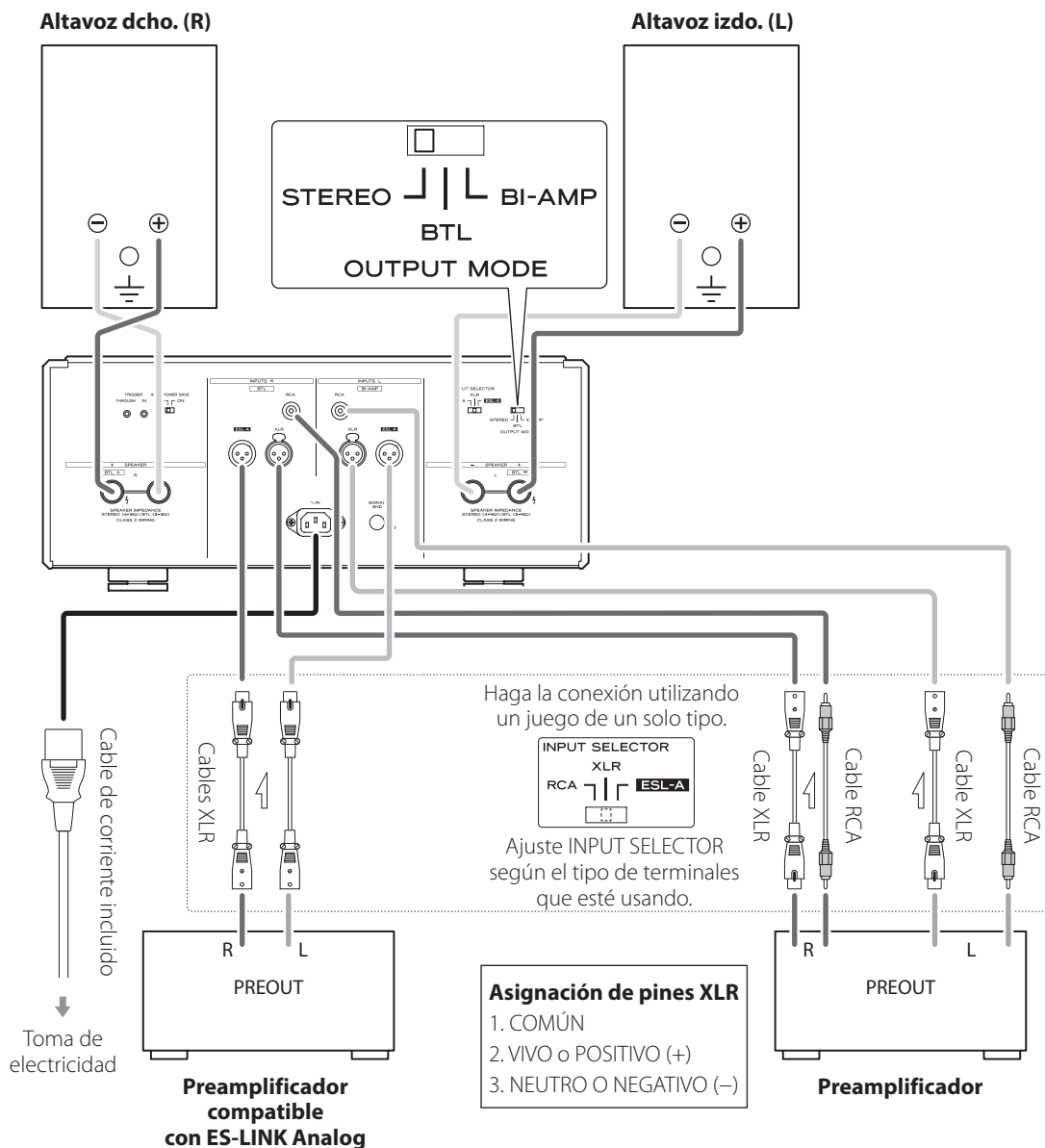
- El terminal de entrada ESL-A de esta unidad es de tipo macho para evitar una conexión accidental por confusión con el terminal de entrada XLR.
- Para las conexiones ESL-A, utilice cables XLR balanceados blindados (apantallados). El uso de cables que no sean blindados puede causar ruido.

## Precauciones al realizar las conexiones

Haga primero todas las demás conexiones antes enchufar los cables de corriente a las tomas de electricidad. Desenchufe siempre el cable de corriente de esta unidad antes de desconectar cualquier otra cosa. Lea los manuales de todos los dispositivos que se vayan a conectar y siga sus instrucciones.

## Uso del modo de salida STEREO

Ajuste el selector OUTPUT MODE en STEREO.



## Uso del modo de salida BTL

Esta unidad se puede utilizar como amplificador mono. Ajuste los selectores de modo de salida (OUTPUT MODE) de las unidades para los canales L (izquierda) y R (derecha) en BTL.

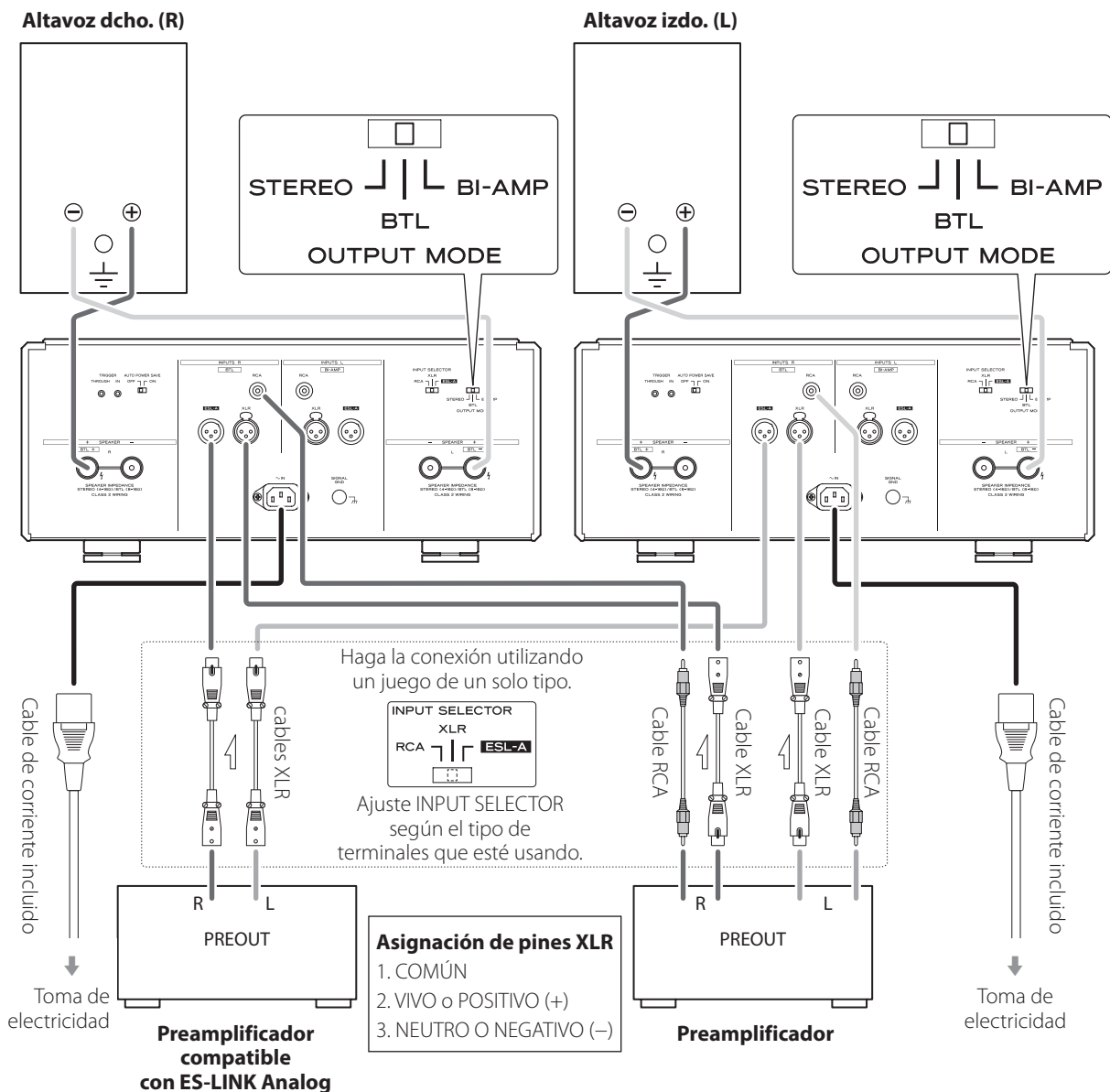
**En modo BTL, utilice dos de estas unidades para reproducir en estéreo.**

### NOTA

El sonido introducido a través de los terminales de entrada de audio analógico INPUTS R saldrá por los terminales SPEAKER R (altavoz derecho) y SPEAKER L (altavoz izquierdo) con la polaridad opuesta.

### ATENCIÓN

- Conecte los altavoces a SPEAKER R + (BTL +) y SPEAKER L + (BTL -).
- No conecte nada a los terminales de entrada de audio analógico INPUTS L de esta unidad. Hacerlo podría provocar daños.



## Uso del modo de salida BI-AMP

Esta unidad se puede utilizar como un biamplificador mono. Ajuste en BI-AMP los selectores OUTPUT MODE de las unidades para los canales L (izquierdo) y R (derecho).

**En modo BI-AMP, utilice dos de estas unidades para reproducir en estéreo.**

### ¿Qué es una conexión biamplificada?

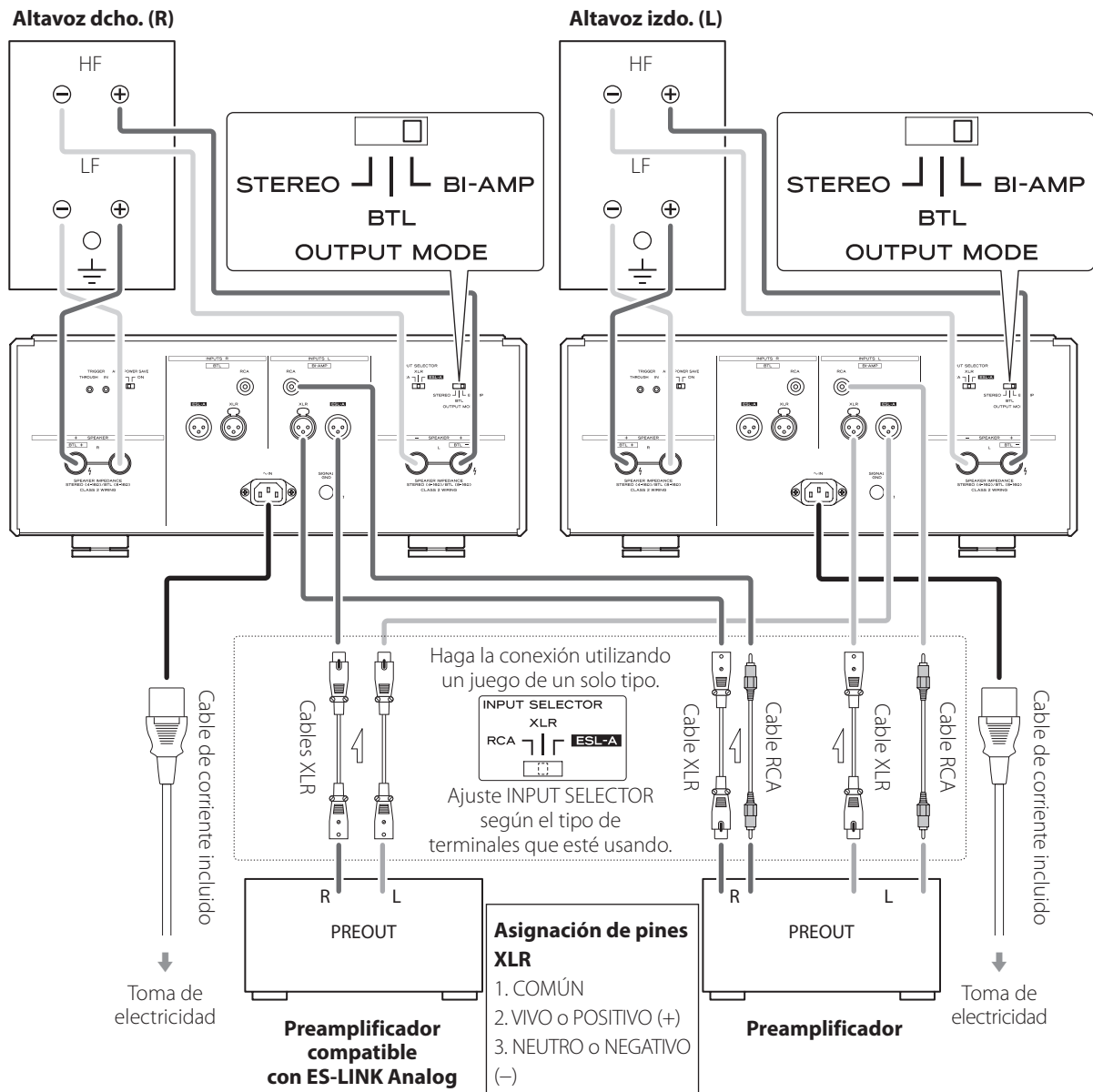
Este método utiliza amplificadores independientes para las unidades de altavoces de bajas frecuencias y de altas frecuencias.

### NOTA

El sonido introducido a través de los terminales de entrada de audio analógico INPUTS L saldrá por los terminales SPEAKER R (altavoz derecho) y SPEAKER L (altavoz izquierdo).

### ⚠ ATENCIÓN

- La conexión para biamplificación no es posible con altavoces que no tengan terminales tanto de bajas frecuencias (LF) como de altas frecuencias (HF).
- Cuando utilice conexiones de biamplificación, quite los conectores de puenteo de los terminales de altavoz y desconecte las conexiones entre los terminales de altavoz ⊕ y entre los terminales de altavoz ⊖.
- No conecte nada a los terminales de entrada de audio analógico INPUTS R de esta unidad. Hacerlo podría provocar daños.

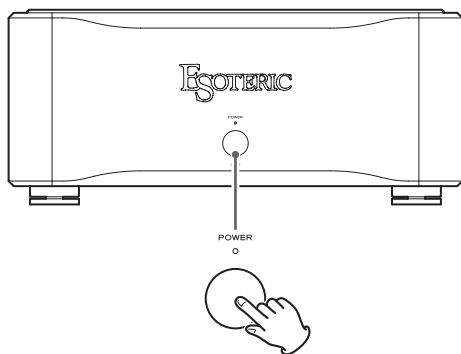


# Funcionamiento básico

Para proteger los altavoces, siga los pasos indicados a continuación cuando encienda o apague el sistema al que esté conectado esta unidad.

## Encendido de la alimentación

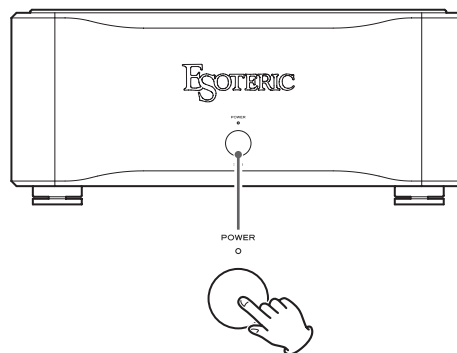
- 1 Encienda el dispositivo fuente de audio.**
- 2 Encienda el preamplificador y ponga su volumen al mínimo.**
- 3 Pulse el botón POWER para encender esta unidad.**



Después de encender la unidad, el indicador de alimentación parpadeará y no se emitirá sonido durante unos segundos. Espere hasta que el indicador deje de parpadear y se quede iluminado fijo antes de ajustar el volumen y realizar otras operaciones.

## Apagado de la unidad

- 1 Si hay un dispositivo fuente reproduciendo, detenga la reproducción.**
- 2 Ponga el volumen del preamplificador al mínimo.**
- 3 Apague esta unidad.**



- 4 Apague el preamplificador.**
- 5 Apague el dispositivo fuente.**

Esta unidad tiene integrados un circuito de protección contra sobrecarga, un circuito de protección contra sobrecalentamiento y un circuito de protección contra voltaje de corriente continua (CC).

Si se detecta una anomalía, el indicador de alimentación parpadeará en rojo repetidamente durante 30 segundos con los patrones que se muestran a continuación. Entonces se activará el circuito de protección y se apagará la alimentación.

### Sobrecarga detectada



### Sobrecalentamiento en el canal izquierdo detectado



### Sobrecalentamiento en el canal derecho detectado



### Sobrecalentamiento en los canales izquierdo y derecho detectado



■ Iluminado

### CC detectada

Sin indicación de error

## Medidas correctivas

### Sobrecarga detectada

Podría haber ocurrido un cortocircuito con los cables +/– de un altavoz. Desconecte el cable de corriente y compruebe las conexiones con los altavoces.

### Sobrecalentamiento en el canal izquierdo detectado

### Sobrecalentamiento en el canal derecho detectado

### Sobrecalentamiento en los canales izquierdo y derecho detectado

La temperatura interna ha subido. Apague la alimentación y espere un rato hasta que la temperatura haya bajado o mejore las condiciones de instalación para aumentar la ventilación.

### CC detectada

Después de la detección, la alimentación se apagará inmediatamente sin mostrar ninguna indicación de error.

Puesto que podría haber un circuito interno con una avería, póngase en contacto con el distribuidor donde compró la unidad.

Si el indicador continúa parpadeando incluso aunque se hayan eliminado las causas probables, póngase en contacto con la tienda donde compró la unidad.

Si tiene un problema con este producto, por favor dedique un momento a revisar la información que le proporcionamos a continuación antes de solicitar servicio técnico.

Si aun así este producto no funciona correctamente, póngase en contacto con el distribuidor donde lo compró.

### La unidad no se enciende.

- ➔ Enchufe el cable de corriente a una toma de electricidad.

### La unidad se apaga automáticamente.

- ➔ Esto es porque la función de ahorro de energía automático la ha apagado. Pulse el botón POWER de la unidad principal para encenderla.
- ➔ Cambie el ajuste de la función de ahorro de energía automático si es necesario (página 41).

### No sale sonido.

- ➔ Encienda esta unidad.
- ➔ Confirme que el preamplificador esté encendido. Antes de encender el preamplificador, apague esta unidad.
- ➔ Confirme que esté saliendo señal del preamplificador.
- ➔ Compruebe las conexiones entre esta unidad, el preamplificador y el altavoz, así como entre la fuente de audio y el preamplificador.
- ➔ Confirme que esté seleccionada la entrada correcta en el preamplificador.
- ➔ Confirme que esté seleccionada la entrada correcta en esta unidad.
- ➔ Suba el volumen del preamplificador.

### El indicador de alimentación parpadea repetidamente con un patrón irregular.

- ➔ Se ha activado un circuito de protección. Apague la unidad y elimine la causa (página 48).

### La posición del sonido estéreo es irregular.

- ➔ Compruebe que ninguno de los altavoces tenga un cable de conexión con la polaridad +/– invertida.



## Prestaciones de audio

Potencia de salida nominal	30 W + 30 W (8 $\Omega$ ) 60 W + 60 W (4 $\Omega$ )
Respuesta de frecuencias	5 Hz–100 kHz (+0 dB, –3 dB, 8 $\Omega$ )
Relación señal/ruido	102 dB (IHF-A, XLR)
Distorsión armónica total	0,007 % (1 kHz, 8 $\Omega$ , 30 W)
Impedancia compatible	4 $\Omega$ -16 $\Omega$ En modo BTL 8 $\Omega$ -16 $\Omega$
Ganancia	28,5 dB
Factor de amortiguamiento	500
Terminales de entrada	
ESL-A	1 par
RCA	1 par
XLR	1 par
Impedancia de entrada	
RCA	47 k $\Omega$
XLR	100 k $\Omega$
Terminales de activación	
IN	1
THROUGH	1

## General

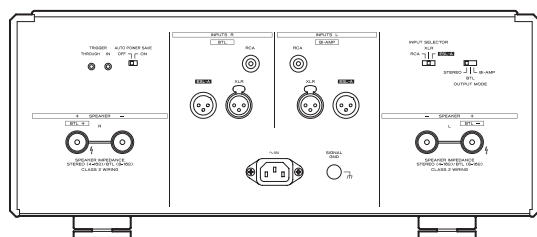
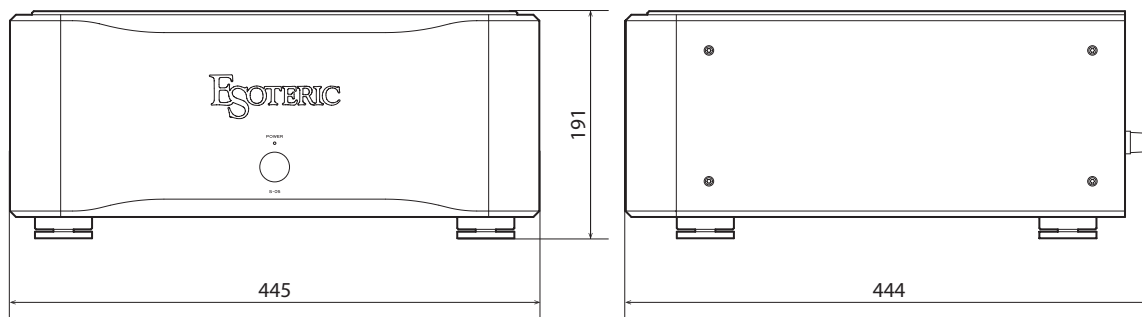
Alimentación	
Modelo para Europa	CA 230 V, 50 Hz
Modelo para EE. UU./Canadá	CA 120 V, 60 Hz
Consumo de energía	250 W (240 W cuando no hay señal)
Dimensiones externas (ancho $\times$ alto $\times$ profundo, salientes incluidos)	445 $\times$ 191 $\times$ 444 mm
Peso	30,7 kg
Margen de temperatura de funcionamiento	de +5 $^{\circ}$ C a +35 $^{\circ}$ C
Margen de humedad de funcionamiento	de 5 % a 85 % (sin condensación)
Margen de temperatura de almacenamiento	de –20 $^{\circ}$ C a +55 $^{\circ}$ C

## Accesorios incluidos

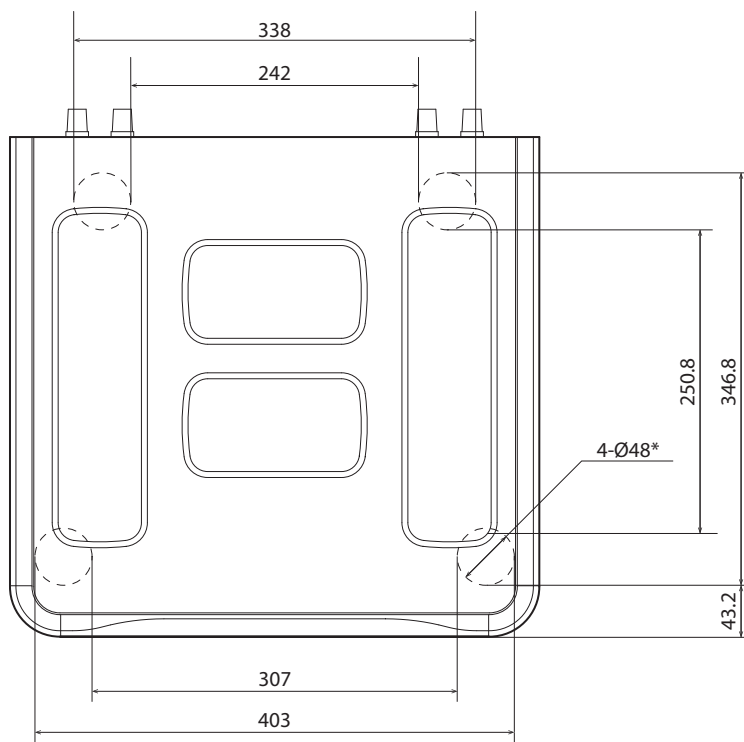
Cable de corriente	$\times$ 1
Almohadillas de fieltro	$\times$ 4
Manual del usuario (este documento)	$\times$ 1
Tarjeta de garantía	$\times$ 1

- Las especificaciones y el diseño están sujetos a cambios sin previo aviso.
- El peso y las dimensiones son aproximados.
- Las ilustraciones de este manual pueden diferir ligeramente de los modelos de producción.

# Dibujos con las dimensiones



## Diagrama de colocación de las patas



Dimensiones en milímetros (mm)  
\* 4 patas de 48 mm de diámetro



# ESOTERIC

---

ESOTERIC COMPANY

1-47 Ochiai, Tama-shi, Tokyo 206-8530, Japan

Phone: +81-42-356-9156

---

This product has a serial number located on the rear panel. Please write it here and retain this for your records.

Model name: S-05

Serial number \_\_\_\_\_

1022-MA-3571A